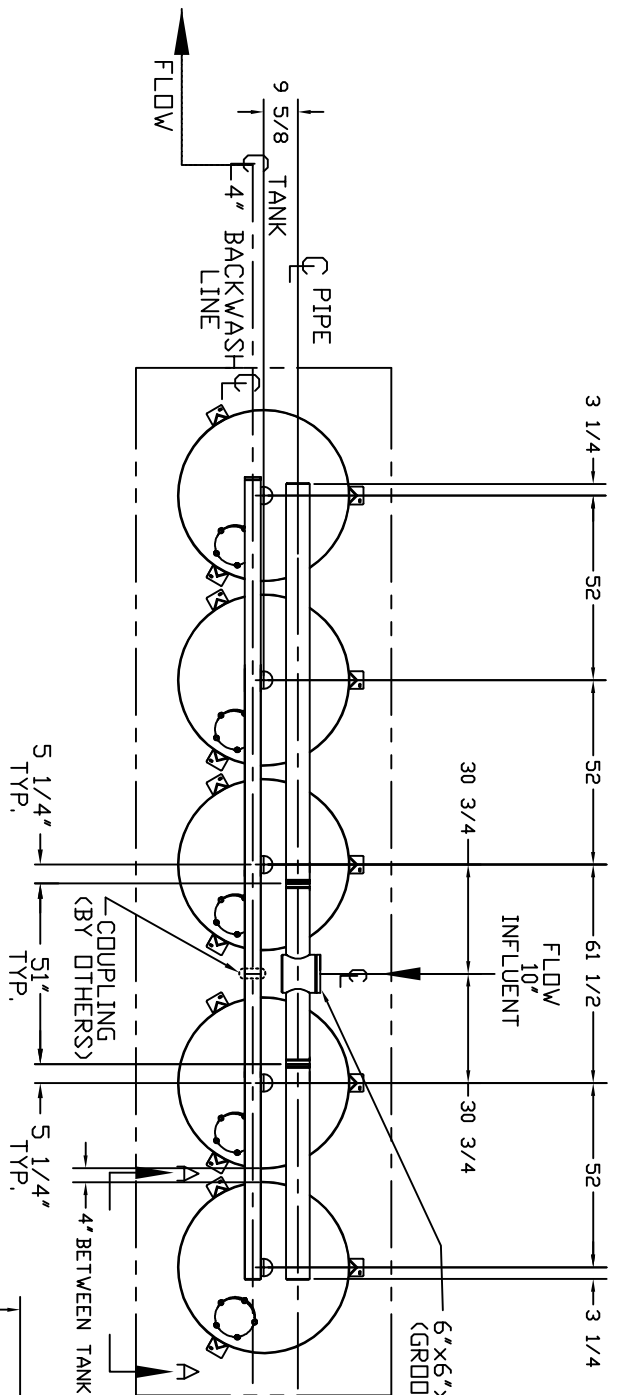
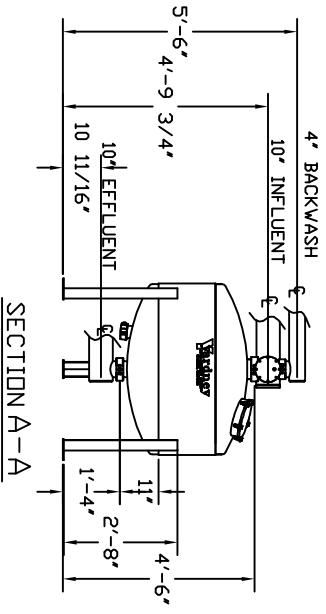
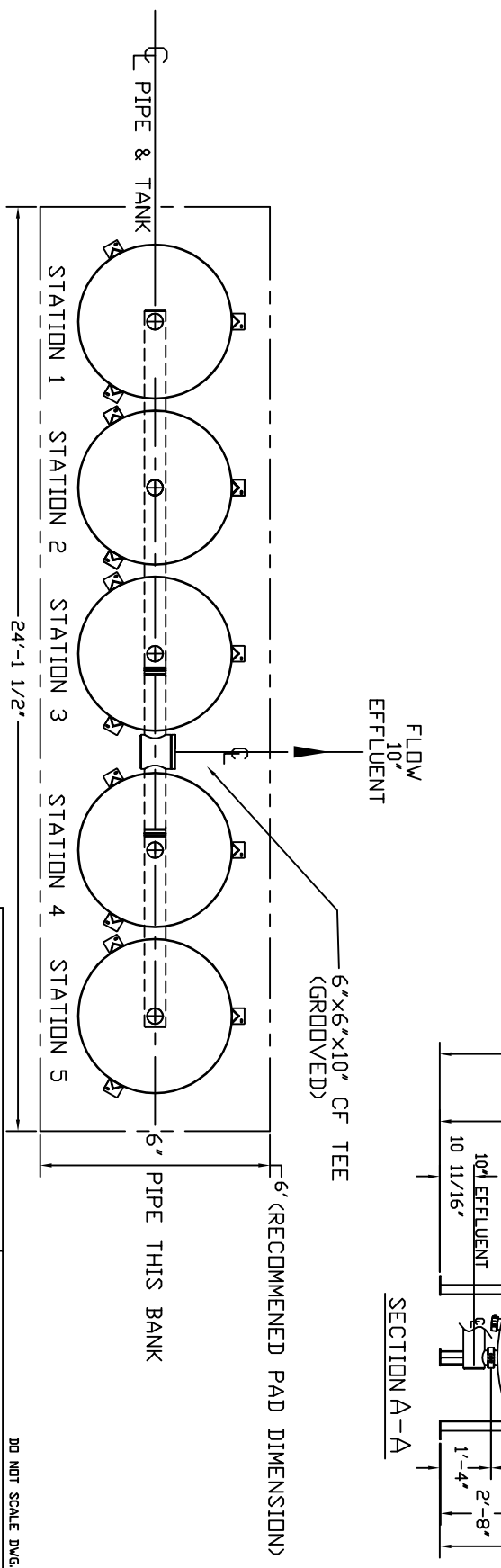


UPPER (INLET) MANIFOLD LAYOUT

GOLF 48W-5 LAYOUT



LOWER (OUTLET) MANIFOLD LAYOUT



(RECOMMENDED PAD DIMENSION)

DD NOT SCALE DWG.

THIS DRAWING, INCLUDING THE INFORMATION IT CONTAINS, IS CONFIDENTIAL, PROPRIETARY AND IS THE PROPERTY OF YARDNEY WATER MANAGEMENT, INC. IT IS SUBMITTED ONLY IN CONNECTION WITH THE PROJECT DESCRIBED HEREIN AND IS NOT TO BE REPRODUCED, COPIED, OR TRANSMITTED IN ANY FORM OR BY ANY MEANS, ELECTRONIC OR MECHANICAL, INCLUDING PHOTOCOPYING, RECORDING, OR BY ANY INFORMATION STORAGE AND RETRIEVAL SYSTEMS, WITHOUT THE WRITTEN PERMISSION OF YARDNEY WATER MANAGEMENT, INC. THE DRAWING IS NOT TO BE COPIED OR REPRODUCED FOR ANY OTHER PROJECT OR WATER MANAGEMENT SYSTEMS, 1994.

APPROVALS DATE
 DESIGNED BY: []
 CHECKED BY: []
 DRAWN BY: []
 DATE: []

Yardney
 WATER MANAGEMENT SYSTEMS
 RIVERSIDE, CALIFORNIA

FILTER GOLF
 4816-5

SIZE DRAWING AND PLOT: 9015481605
 DATE: []
 SYSTEMS/DOUG MERRA
 REV: C

REVISIONS	BY	DATE	APP
A	TEES WERE 1/2" LONGER	KAL	2-99
B	BROWN TO SCALE	DTC	8-04
C	BROWN SECTION VIEW TO NEW DESIGN HANDBOOK DTD 5-08	APP	5-08