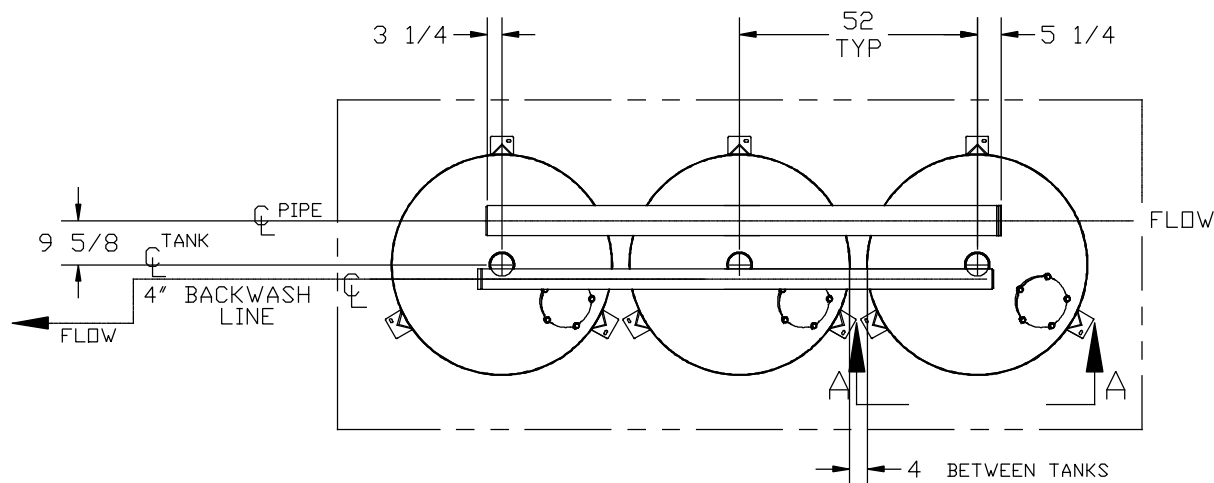
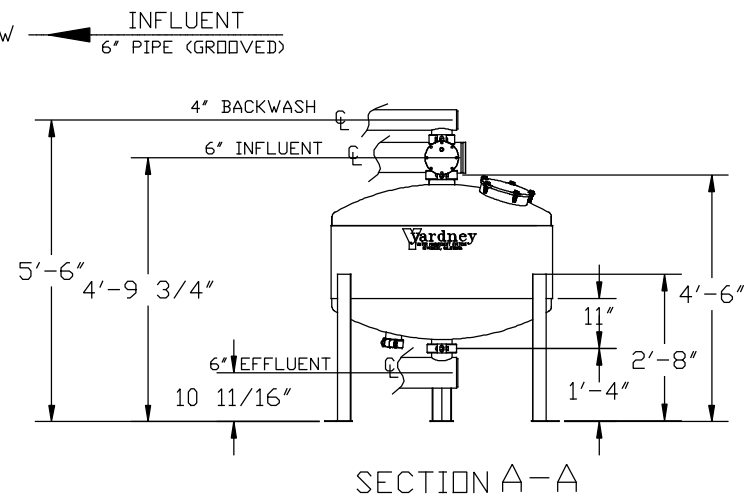


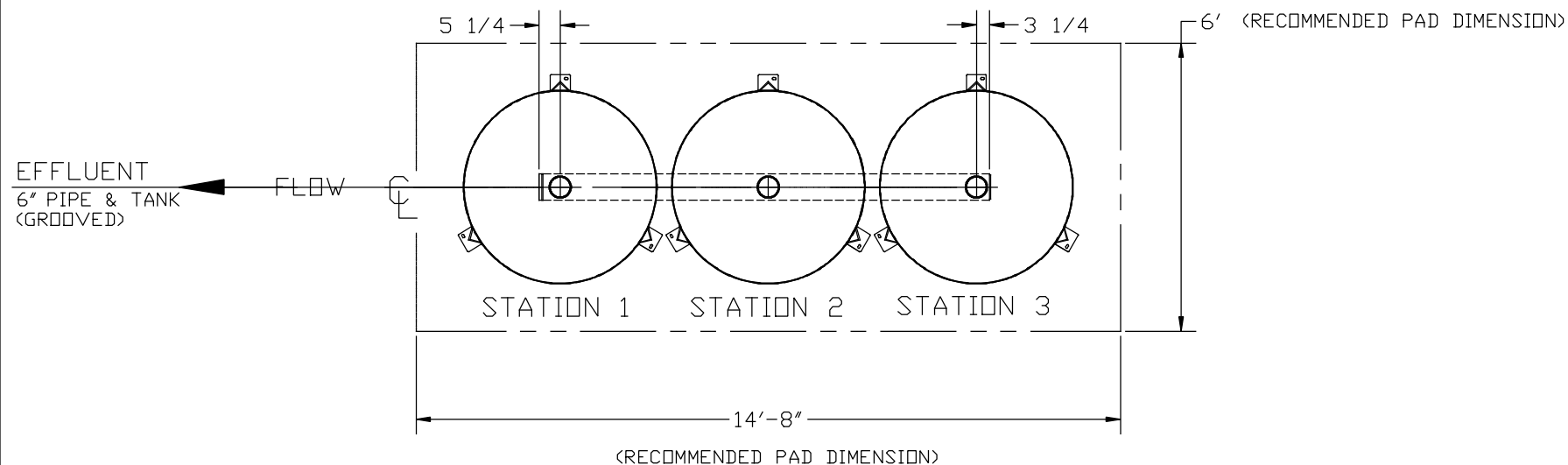
UPPER (INLET) MANIFOLD LAYOUT




GOLF 48WW-3 LAYOUT



LOWER (OUTLET) MANIFOLD LAYOUT



DO NOT SCALE DWG.

THIS DRAWING, INCLUDING THE INFORMATION IT CONTAINS, IS CONFIDENTIAL, PROPRIETARY AND IS THE PROPERTY OF YARNEY WATER MANAGEMENT, INC. IT IS SUBMITTED ONLY IN CONNECTION WITH THE TRANSACTION TO WHICH IT PERTAINS AND MUST NOT BE USED IN ANY OTHER MANNER DETRIMENTAL TO THE INTERESTS OF YARNEY WATER MANAGEMENT. THE DRAWING IS NOT TO BE COPIED AND MUST BE RETURNED UPON REQUEST. COPYRIGHT YARNEY WATER MANAGEMENT SYSTEMS, 1994				 <p>WATER MANAGEMENT SYSTEMS RIVERSIDE, CALIFORNIA</p>	
APPROVALS		DATE		DRAWING NO.	
DRAWN BY: BENSON		4-11-91		9015481603	
CHECKED BY:				REV: B	
APPROVED BY:				SCALE: NONE	
DTC 8-04 APP ARCHITECTURAL NONE		SCALE: NONE		DVG DIR: SYSTEMS\GOLF MEDIA	
SYN REVISIONS		BY DATE APP USED IN		SHEET 1 OF 1	