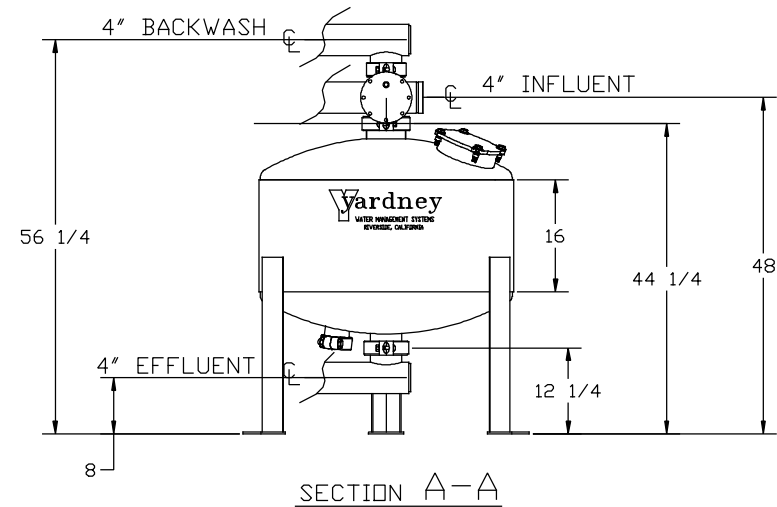
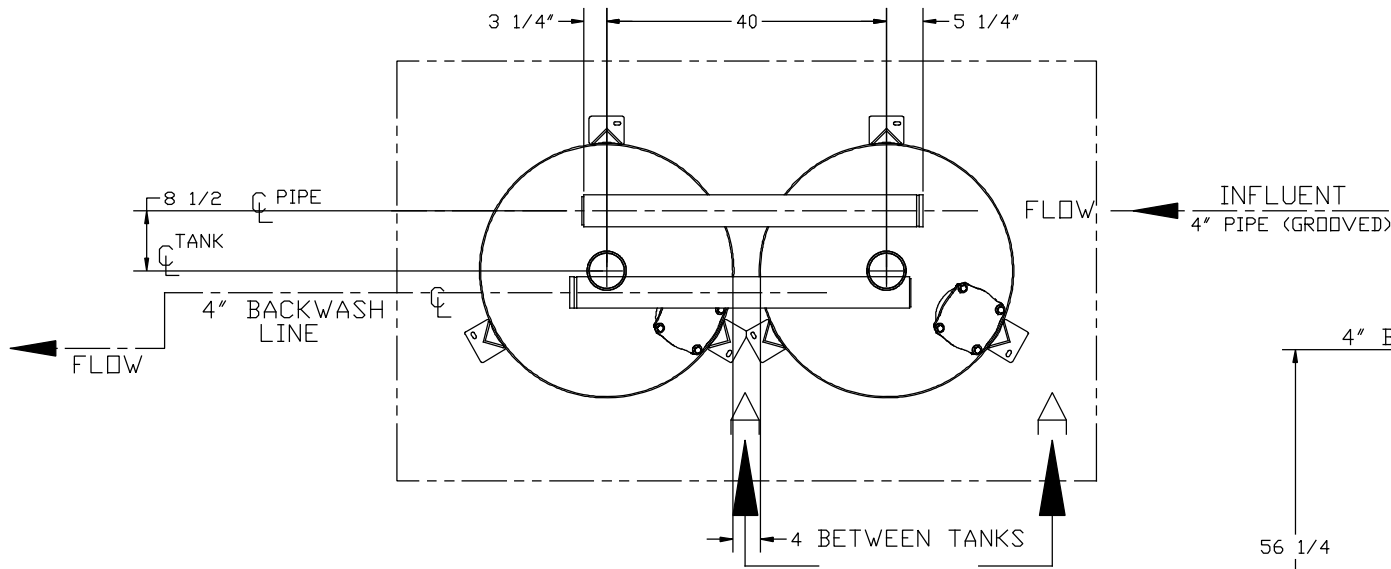
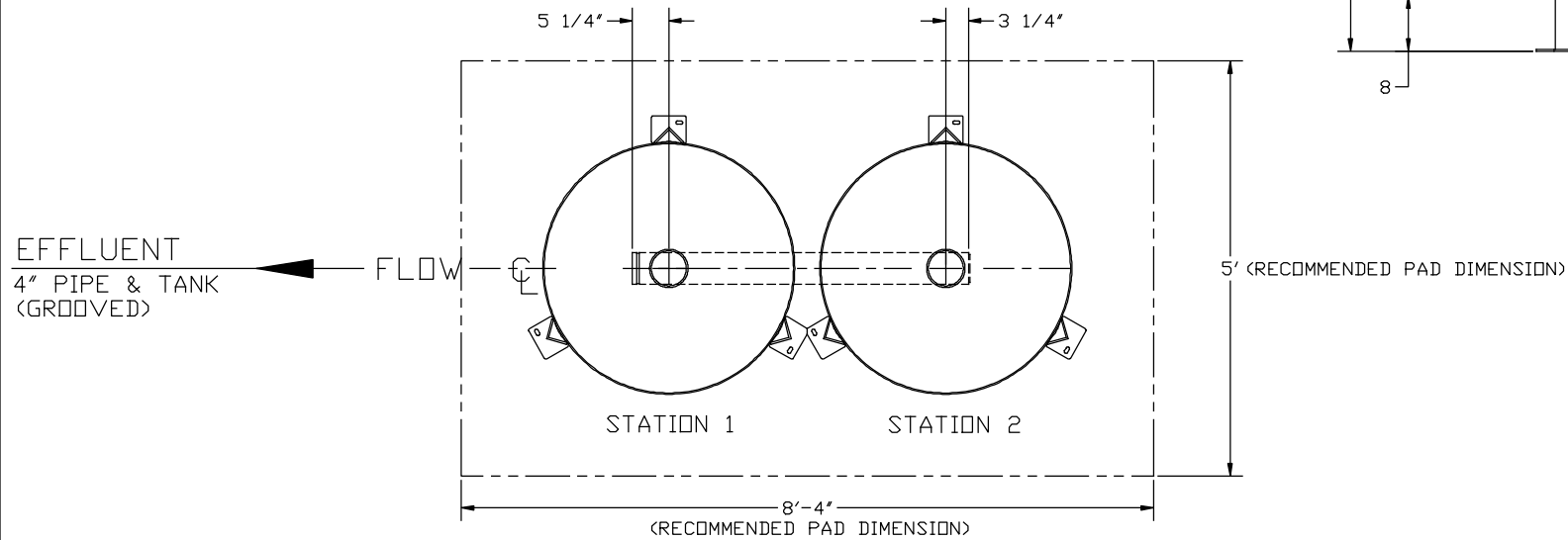


UPPER (INLET) MANIFOLD LAYOUT



LOWER (OUTLET) MANIFOLD LAYOUT



DO NOT SCALE DWG.

THIS DRAWING, INCLUDING THE INFORMATION IT CONTAINS, IS CONFIDENTIAL, PROPRIETARY AND IS THE PROPERTY OF YARDNEY WATER MANAGEMENT, INC. IT IS SUBMITTED ONLY IN CONNECTION WITH THE TRANSACTION TO WHICH IT PERTAINS AND MUST NOT BE USED IN ANY OTHER MANNER DETRIMENTAL TO THE INTERESTS OF YARDNEY WATER MANAGEMENT. THE DRAWING IS NOT TO BE COPIED AND MUST BE RETURNED UPON REQUEST. COPYRIGHT YARDNEY WATER MANAGEMENT SYSTEMS, 1994



APPROVALS			DATE	FILTER GOLF		
DRAWN BY: K.A.T.			3/18/8	3616-2		
CHECKED BY:				SIZE	DRAWING NO:	REV:
APPROVED BY:				D	9015361602	B
B	DRAWN SECTION VIEW TO NEW DESIGN MANWAY	DTD	9-08	APP		
A	DRAWN TO SCALE	DTC	7-04	APP		
SYN	REVISIONS	BY	DATE	APP	SCALE: NONE	DWG DIR: SYSTEMS\GOLF MEDIA
				ARCHITECTURAL SCALE: NONE	SHEET	1 OF 1