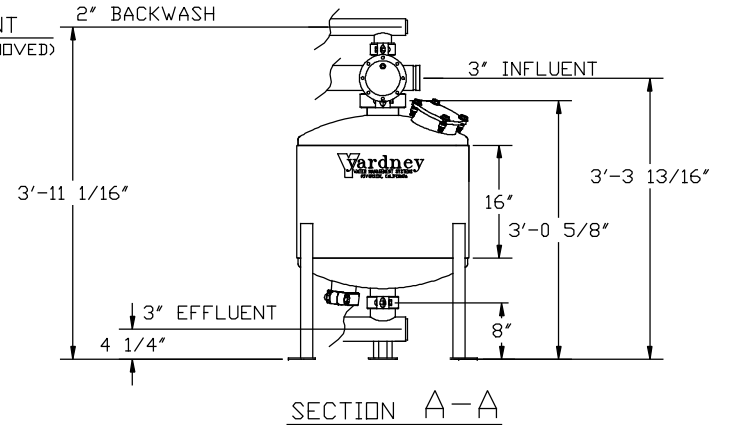
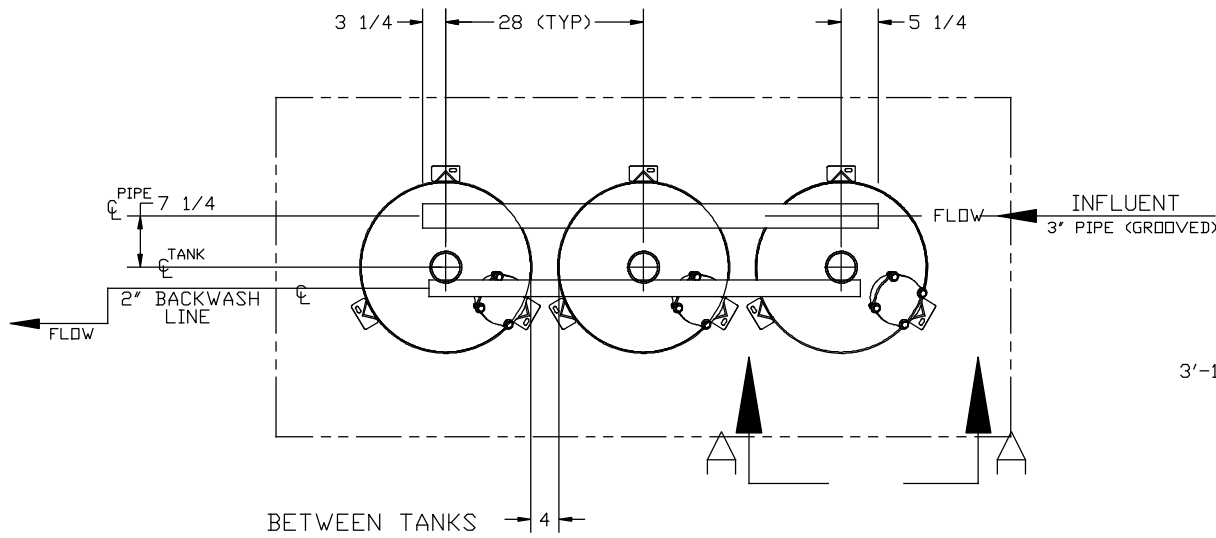
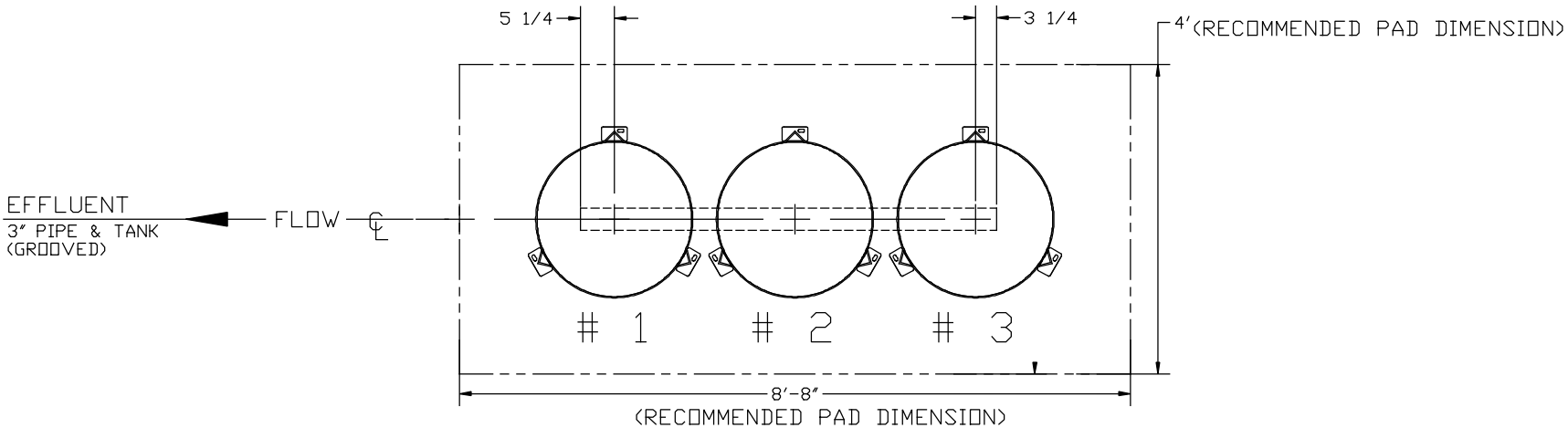


# UPPER (INLET) MANIFOLD LAYOUT

# GOLF 24WW-3 LAYOUT



# LOWER (OUTLET) MANIFOLD LAYOUT



THIS DRAWING, INCLUDING THE INFORMATION IT CONTAINS, IS CONFIDENTIAL, PROPRIETARY AND IS THE PROPERTY OF YARDNEY WATER MANAGEMENT, INC. IT IS SUBMITTED ONLY IN CONNECTION WITH THE TRANSACTION TO WHICH IT PERTAINS AND MUST NOT BE USED IN ANY OTHER MANNER DETRIMENTAL TO THE INTERESTS OF YARDNEY WATER MANAGEMENT. THE DRAWING IS NOT TO BE COPIED AND MUST BE RETURNED UPON REQUEST. COPYRIGHT YARDNEY WATER MANAGEMENT SYSTEMS, 1994

**Yardney**  
WATER MANAGEMENT SYSTEMS  
RIVERSIDE, CALIFORNIA

APPROVALS	DATE	DRAWING NO.		REVI
DRAWN BY: K.A.T.	3-18-98	2416-3		
CHECKED BY:		SIZE	DRAWING NO.	REVI
APPROVED BY:		D	9015241603	B
ARCHITECTURAL SCALE:		SCALE: - DWG DIR: SYSTEM\GOLF MEDIA SHEET 1 OF 1		
USED DN:				

C				
B	DRAWN SECTION VIEW TO NEW DESIGN MANWAY	DTD	8-08	APP
A	DRAWN SECTION VIEW TO SCALE	DTC	7-04	APP
SYM	REVISIONS	BY	DATE	APP