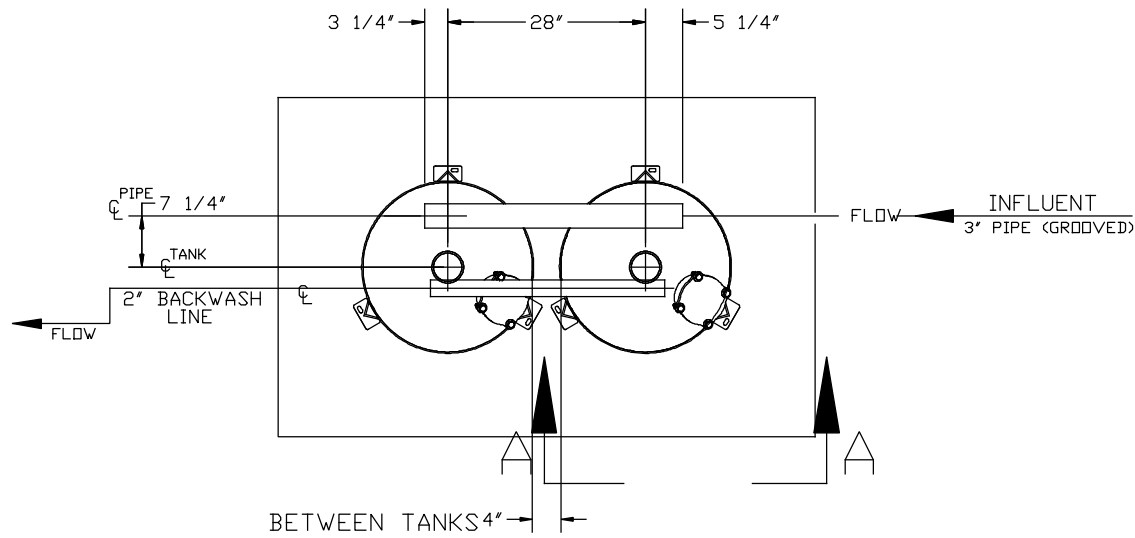
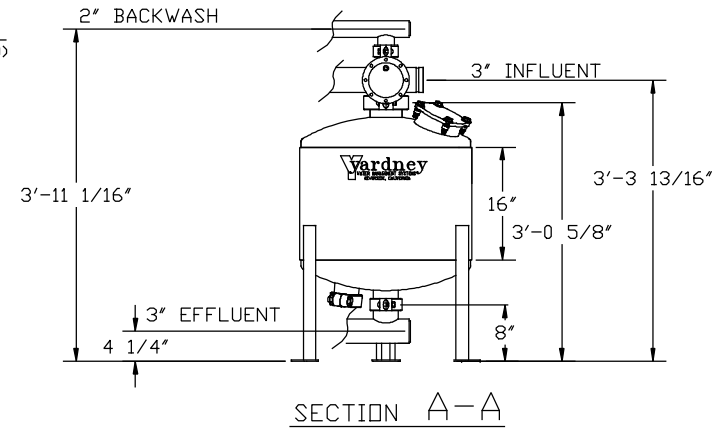


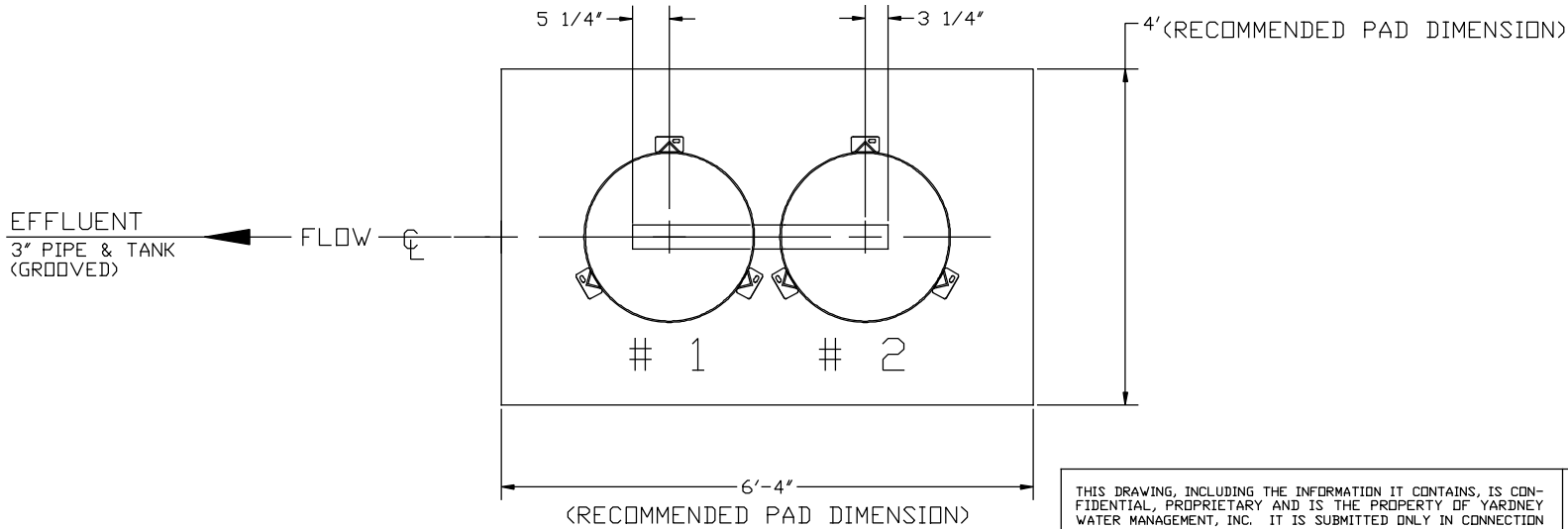
UPPER (INLET) MANIFOLD LAYOUT



GOLF 24WW-2 LAYOUT



LOWER (OUTLET) MANIFOLD LAYOUT



<p>THIS DRAWING, INCLUDING THE INFORMATION IT CONTAINS, IS CONFIDENTIAL, PROPRIETARY AND IS THE PROPERTY OF YARDNEY WATER MANAGEMENT, INC. IT IS SUBMITTED ONLY IN CONNECTION WITH THE TRANSACTION TO WHICH IT PERTAINS AND MUST NOT BE USED IN ANY OTHER MANNER DETRIMENTAL TO THE INTERESTS OF YARDNEY WATER MANAGEMENT. THE DRAWING IS NOT TO BE COPIED AND MUST BE RETURNED UPON REQUEST. COPYRIGHT YARDNEY WATER MANAGEMENT SYSTEMS, 1994</p>					
<p>APPROVALS</p>		<p>DATE</p>		<p>FILTER GOLF 2416-2</p>	
<p>DRAWN BY: K.A.T.</p>		<p>3-18-98</p>			
<p>C DRAWN SECTION VIEW TO NEW DESIGN MANWAY</p>		<p>DTD 8-08</p>		<p>CHECKED BY:</p>	
<p>B DRAWN SECTION VIEW TO SCALE</p>		<p>DTD 7-04</p>		<p>APPROVED BY:</p>	
<p>A SCALED PLAN</p>		<p>NH 4-01</p>		<p>ARCHITECTURAL SCALE:</p>	
<p>SYM REVISIONS</p>		<p>BY DATE APP</p>		<p>USED ON:</p>	
				<p>SIZE: D DRAWING NO: 9015241602 REV: C</p>	
				<p>SCALE: - DWG DIR: SYSTEM\GOLF MEDIA SHEET 1 OF 1</p>	