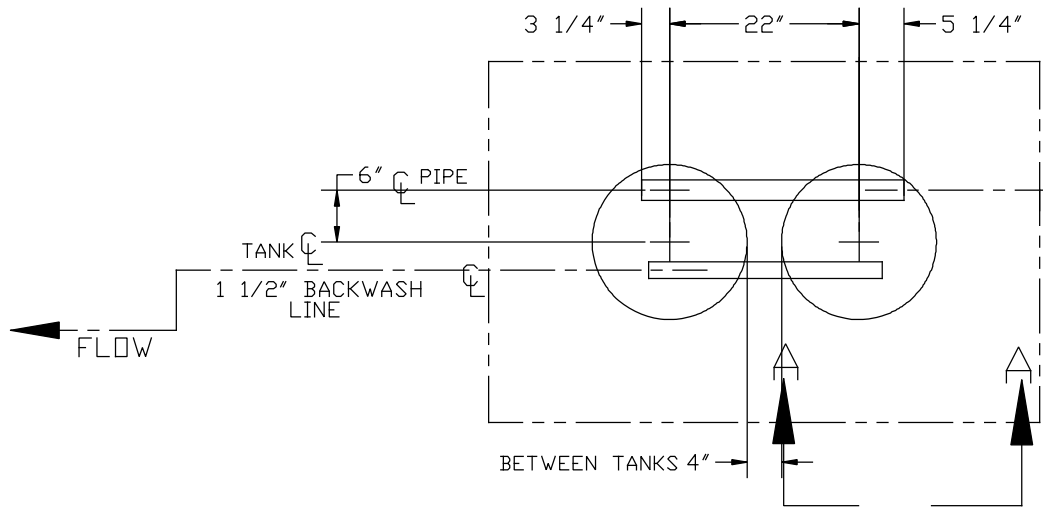
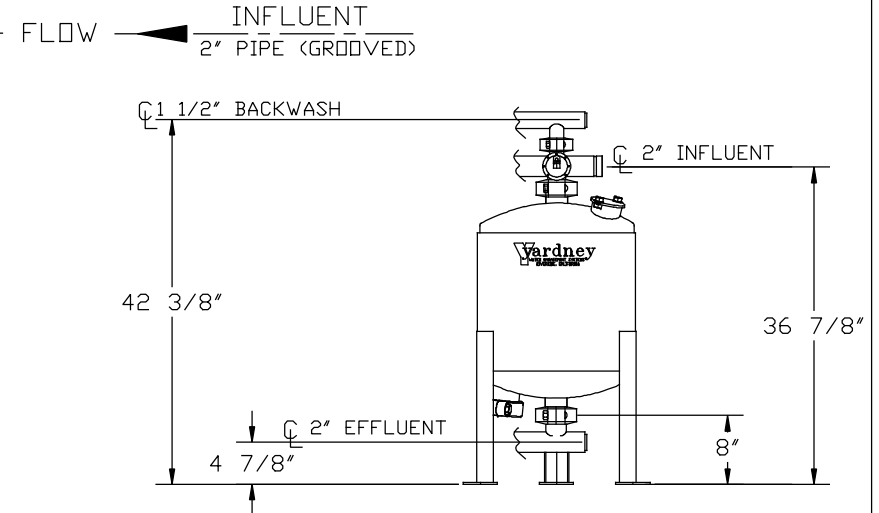


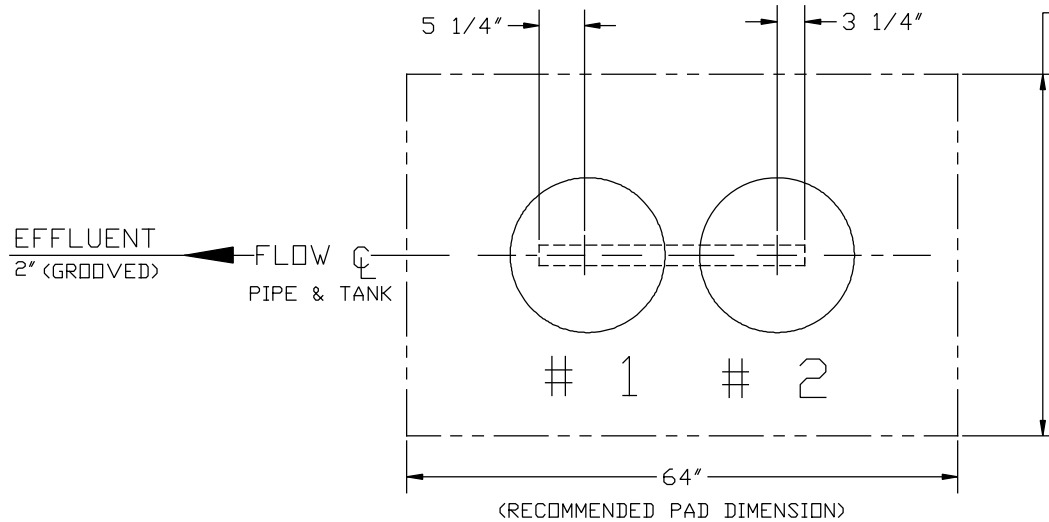
UPPER (INLET) MANIFOLD LAYOUT



GOLF 18WW-2 LAYOUT




LOWER (OUTLET) MANIFOLD LAYOUT



SECTION A-A

THIS DRAWING, INCLUDING THE INFORMATION IT CONTAINS, IS CONFIDENTIAL, PROPRIETARY AND IS THE PROPERTY OF YARDNEY WATER MANAGEMENT, INC. IT IS SUBMITTED ONLY IN CONNECTION WITH THE TRANSACTION TO WHICH IT PERTAINS AND MUST NOT BE USED IN ANY OTHER MANNER DETRIMENTAL TO THE INTERESTS OF YARDNEY WATER MANAGEMENT. THE DRAWING IS NOT TO BE COPIED AND MUST BE RETURNED UPON REQUEST. COPYRIGHT YARDNEY WATER MANAGEMENT SYSTEMS, 1994



**Yardney**  
WATER MANAGEMENT SYSTEMS  
RIVERSIDE, CALIFORNIA

**FILTER GOLF**  
**1816-2**

APPROVALS		DATE	SIZE		DRAWING NO.	REV.
	DRAWN BY:	K.A.T.	3/18/8	D	9015181602	B
	CHECKED BY:					
B	DRAWN SECTION VIEW TO SCALE	DTC	7-04	APP	APPROVED BY:	
A	REDRAWN TO SCALE	MH	4-01	APP	ARCHITECTURAL SCALE: NONE	
SYM	REVISIONS	BY	DATE	APP	USED ON:	

SCALE: NONE    DWG DIR: SYSTEM\GOLF MEDIA    SHEET 1 OF 1