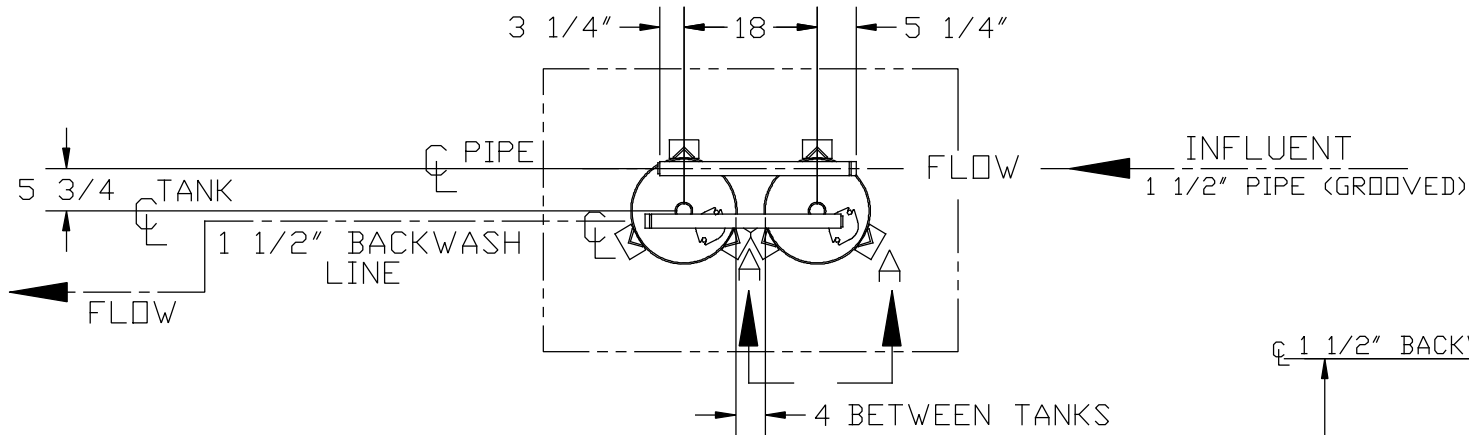
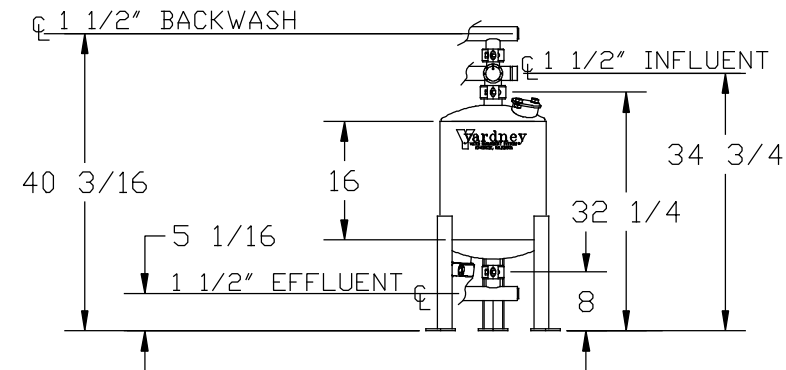
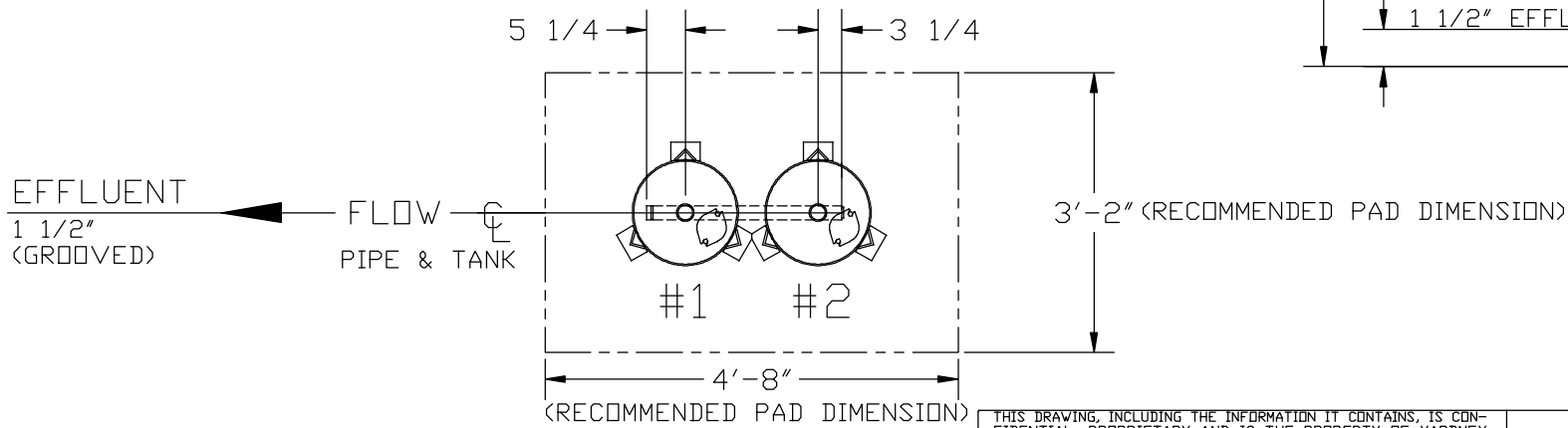


UPPER (INLET) MANIFOLD LAYOUT



LOWER (OUTLET) MANIFOLD LAYOUT



THIS DRAWING, INCLUDING THE INFORMATION IT CONTAINS, IS CONFIDENTIAL, PROPRIETARY AND IS THE PROPERTY OF YARDNEY WATER MANAGEMENT, INC. IT IS SUBMITTED ONLY IN CONNECTION WITH THE TRANSACTION TO WHICH IT PERTAINS AND MUST NOT BE USED IN ANY OTHER MANNER DETRIMENTAL TO THE INTERESTS OF YARDNEY WATER MANAGEMENT. THE DRAWING IS NOT TO BE COPIED AND MUST BE RETURNED UPON REQUEST. COPYRIGHT YARDNEY WATER MANAGEMENT SYSTEMS, 1994



FILTER GOLF  
1416-2

APPROVALS			DATE	DRAWING NO:			REV:
D	DIMENSIONAL CORRECTION HAVE BEEN MADE	DTC	5-07	APP	D	9015141602	D
C	SPUD LENGTH CHANGE TO 1-3/4" WAS 2"	DTC	4-06	APP	D		
B	REDRAWN TO SCALE	DTC	8-04	APP	D		
SYM	REVISIONS	BY	DATE	APP	SCALE:	DWG DIR:	SHEET 1 OF 1

SCALE: NONE  
DWG DIR: SYSTEM\GOLF MEDIA  
SHEET 1 OF 1