

TECHNICAL DATA:

Nominal Flow Rate: 793 GPM

Filter Area: 1258 in²
 Screen Size Available:

Micron	50	80	100	120	150	200	400	800
Mesh	250	200	150	120	100	80	40	20

Other Screen Available On Request

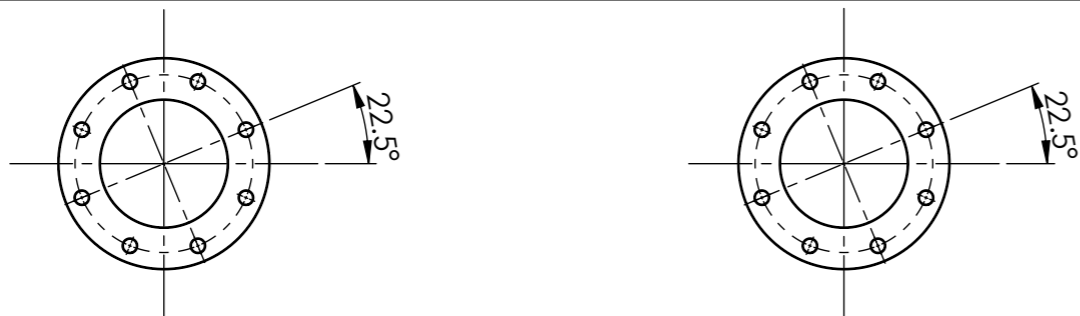
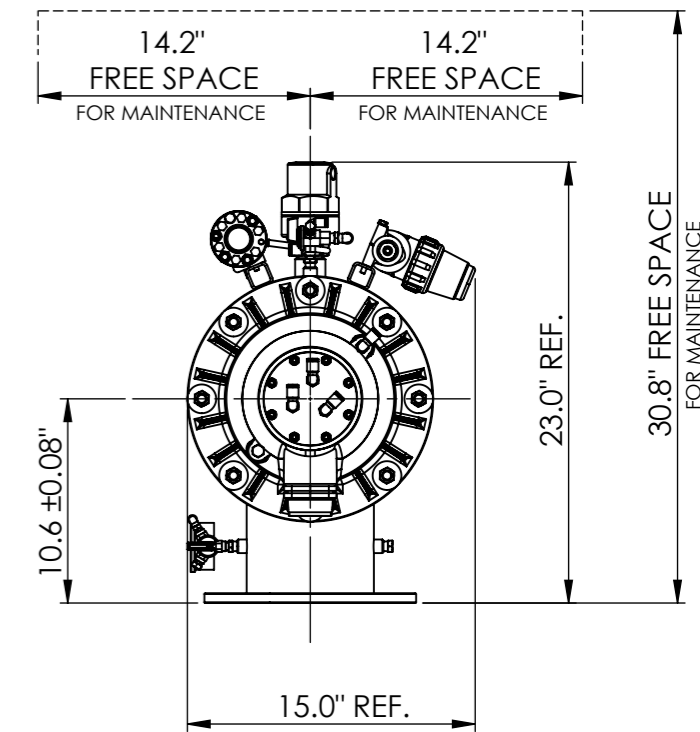
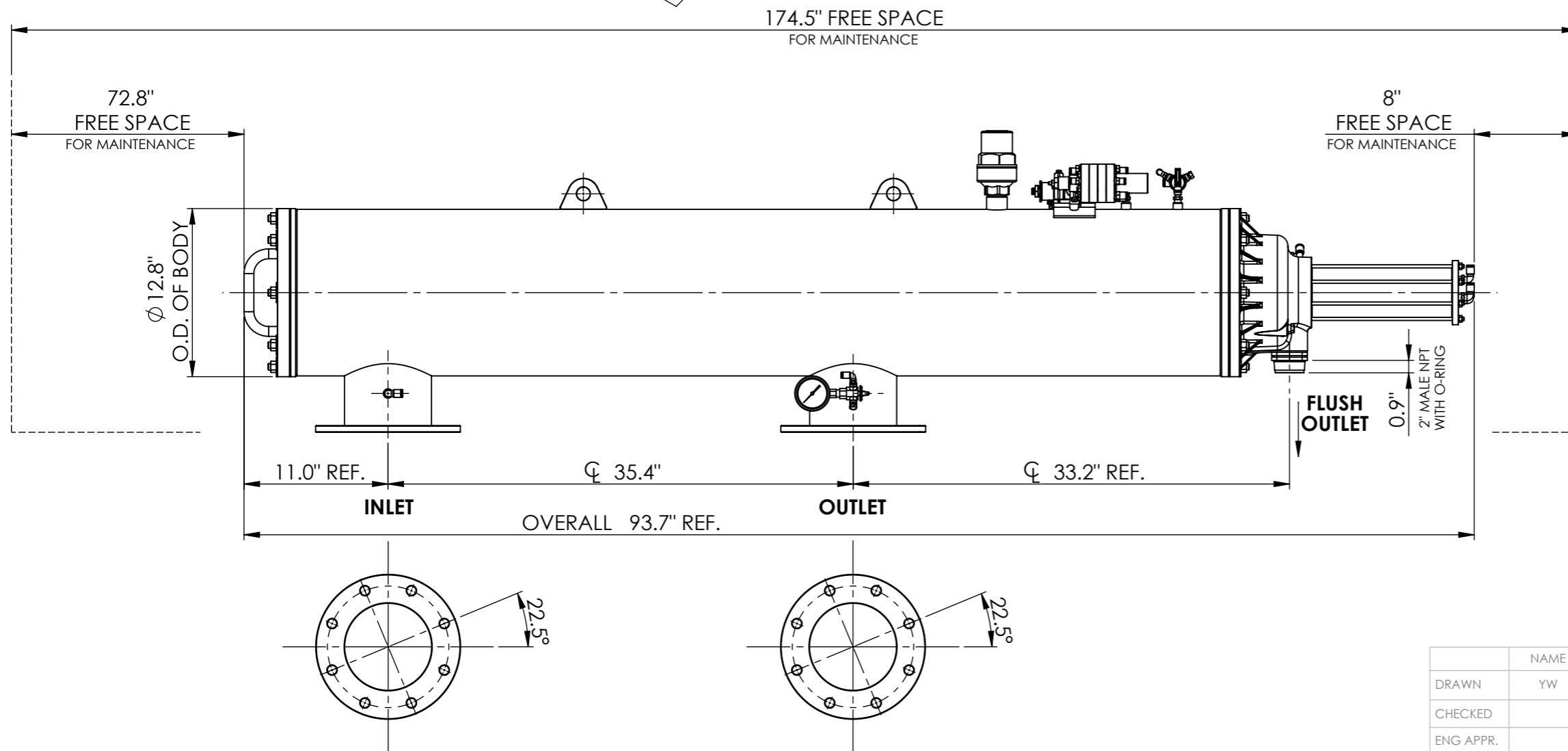
Max. Working Pressure: 150 psi
 Min. Upstream Line Pressure Required During Rinse Cycle: 30 psi

Max. Working Temperature: 131 °F

Approximate Rinse Cycle Time: 15 - 17 sec.

Inlet & Outlet Connection: 6" ANSI or AWWA Flange
 Flush Drain Outlet Connection: 2" Male NPT with O-Ring
 Main Drain Header: 2" Nominal Bore

Approximate Weight: Empty --- 253.5 lb
 Full of Water --- 584.2 lb



PROPRIETARY AND CONFIDENTIAL
 THE INFORMATION CONTAINED IN THIS DRAWING IS THE SOLE PROPERTY OF FILTAWORX PTY. LTD. ANY REPRODUCTION IN PART OR AS A WHOLE WITHOUT THE WRITTEN PERMISSION OF FILTAWORX PTY. LTD. IS PROHIBITED.

MATERIAL	STAINLESS STEEL BODY GLASS REINFORCED NYLON LID
FINISH	
NEXT ASSY	USED ON
APPLICATION	DO NOT SCALE DRAWING

NAME	DATE
YV	04/10/2013
CHECKED	
ENG APPR.	
MFG APPR.	
Q.A.	
DIMENSIONS ARE IN inch TOLERANCES: ±0.01" MACHINING ±0.25° ANGULAR UNLESS OTHERWISE SPECIFIED	

FILTAWORX

TITLE
**FW150EX WATER FILTER
 AUTOMATIC SELF CLEANING
 6" ANSI / AWWA FLANGE CONNECTION**

SIZE A3 DWG. NO. **06702 - inch** REV. **0**

SCALE: N.T.S. WEIGHT: approx. 253.5 lb SHEET: 2 OF 2