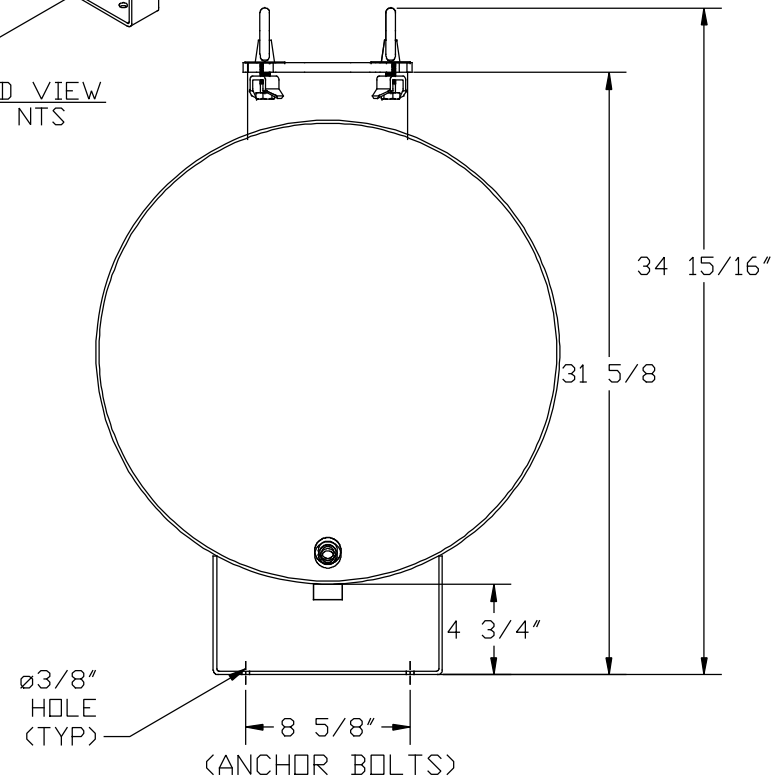
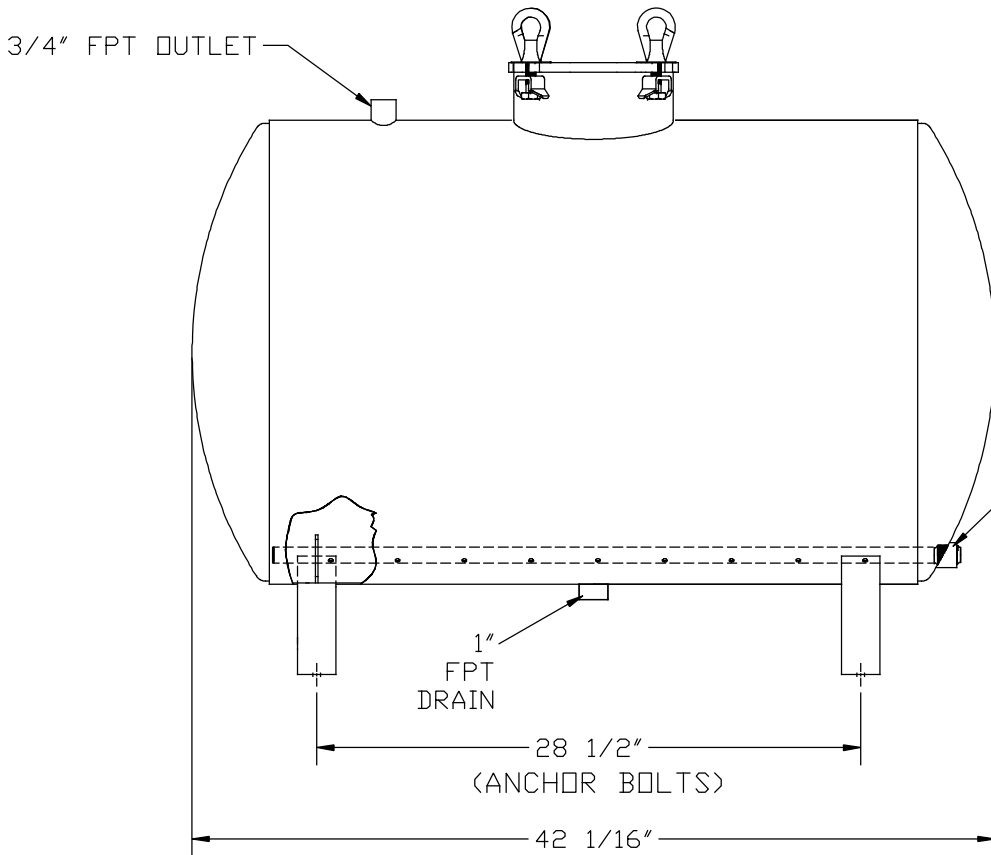
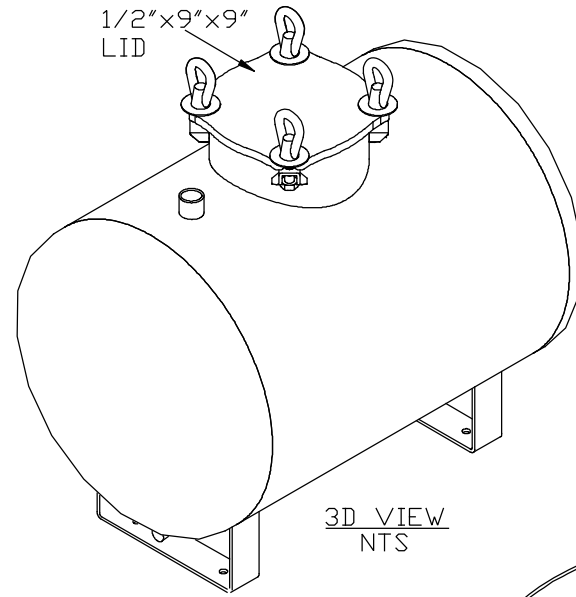


FERTILIZER TANK - 75 GAL.
 MODEL: HF-75



THIS DRAWING, INCLUDING THE INFORMATION IT CONTAINS, IS CONFIDENTIAL, PROPRIETARY, AND IS THE PROPERTY OF YARNEY WATER MANAGEMENT, INC. IT IS SUBMITTED ONLY IN CONNECTION WITH THE TRANSACTION TO WHICH IT PERTAINS AND MUST NOT BE USED IN ANY OTHER MANNER DETRIMENTAL TO THE INTERESTS OF YARNEY WATER MANAGEMENT. THE DRAWING IS NOT TO BE COPIED AND MUST BE RETURNED UPON REQUEST. COPYRIGHT YARNEY WATER MANAGEMENT SYSTEMS, 1994.

CUSTOMER: _____
 USED ON: _____
 DRAWN BY: _____
 DATE: 6-24-05



C	REPLACED TUBING 106060707 w/10500050	DTC	5-12
B	REPLACED EARS w/TUBE & EYE NUT	DTC	6-10
A	LDC. & SIZE OF 1/2" COUPL. TO 1"	DTC	9-05
NO.	REVISION	BY	DATE

DRAWING NO: 312590750
 LOCATION: \SYSTEMS\TANK_FERT.GEN. sheet 1 of 1

REV: C