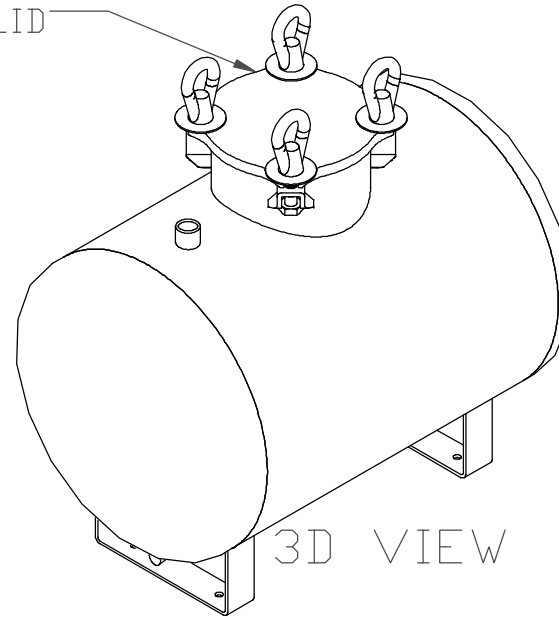


FERTILIZER TANK - 15 GAL.

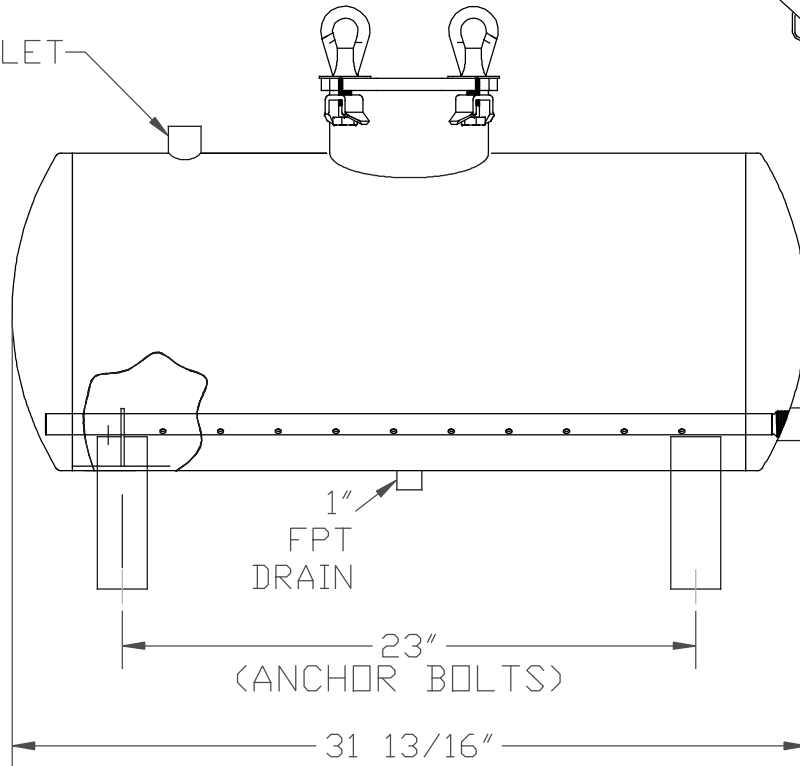
MODEL: HF-15

1/2" x 7 1/8" x 7 1/8"
LID



3D VIEW

3/4" FPT OUTLET

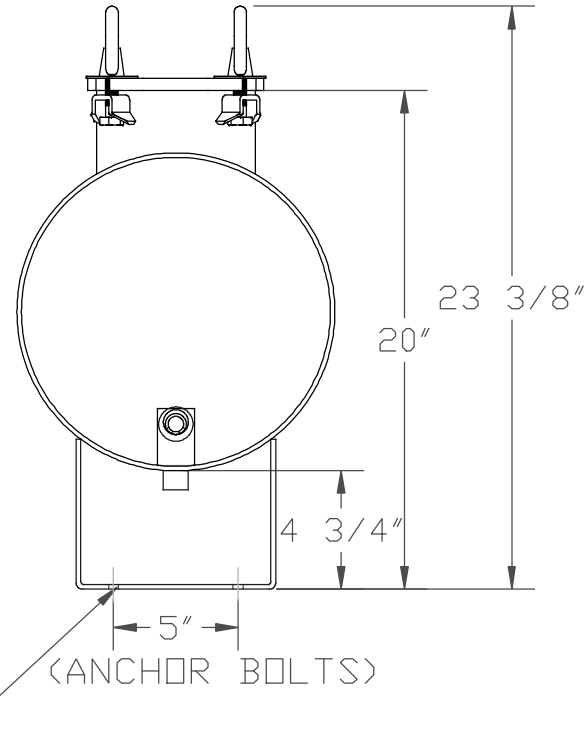


3/4" MPT INLET

1" FPT DRAIN

23" (ANCHOR BOLTS)

31 13/16"



ø3/8" HOLE (TYP)

5" (ANCHOR BOLTS)

23 3/8"

20"

4 3/4"

THIS DRAWING, INCLUDING THE INFORMATION IT CONTAINS, IS CONFIDENTIAL, PROPRIETARY, AND IS THE PROPERTY OF YARNEY WATER MANAGEMENT, INC. IT IS SUBMITTED ONLY IN CONNECTION WITH THE TRANSACTION TO WHICH IT PERTAINS AND MUST NOT BE USED IN ANY OTHER MANNER DETRIMENTAL TO THE INTERESTS OF YARNEY WATER MANAGEMENT. THE DRAWING IS NOT TO BE COPIED AND MUST BE RETURNED UPON REQUEST. COPYRIGHT YARNEY WATER MANAGEMENT SYSTEMS, 1994.

CUSTOMER
USED IN
DRAWN BY
DATE



C	REPLACED TUBING 106060707 w/10500050	DTD	5-12
B	REPLACED EARS w/TUBE & EYE NUT	DTD	6-10
A	LOC. & SIZE OF 1/2" COUPL. TO 1'	DTC	9-05
NO.	REVISION	BY	DATE

DATE 6-24-05
DRAWING NO. 312590150
LOCATION: \SYSTEMS\tANK_FERT\GEN

REV: C
SHEET 1 OF 1