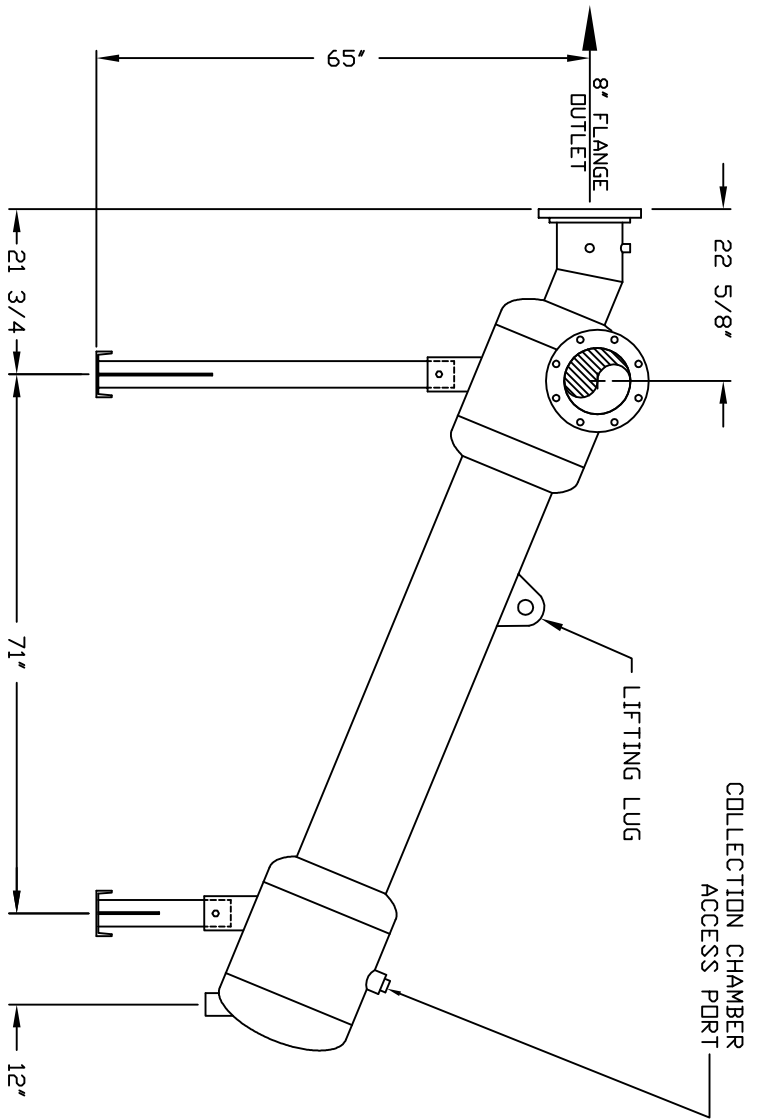
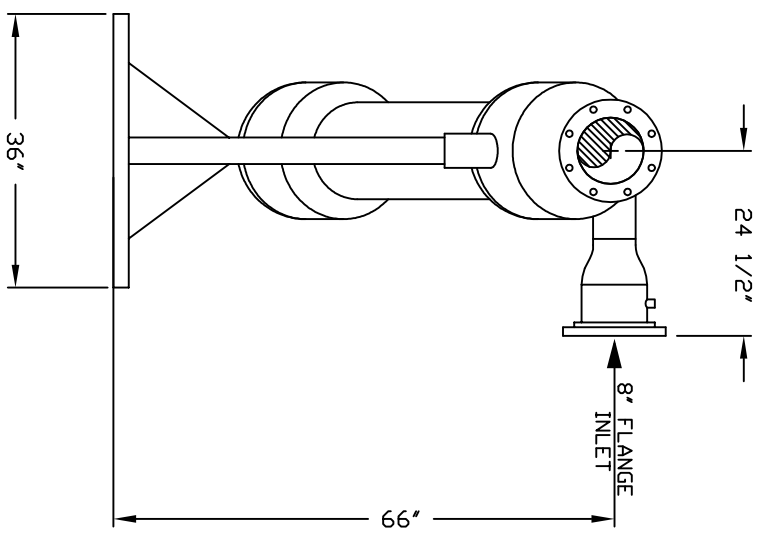


# SEPARATOR R-80LA



FLOW RATE: 800-1600 GPM  
 MAX PRESSURE: 150 PSI MAX  
 MIN BACK PRESSURE: 15 PSI

THIS DRAWING, INCLUDING THE INFORMATION IT CONTAINS, IS CONFIDENTIAL, PROPRIETARY AND IS THE PROPERTY OF YARDENEY WATER MANAGEMENT SYSTEMS, INC. IT IS SUBMITTED ONLY IN CONNECTION WITH THE TRANSACTION TO WHICH IT PERTAINS AND MUST NOT BE USED IN ANY OTHER MANNER DETRIMENTAL TO THE INTERESTS OF YARDENEY WATER MANAGEMENT. THE DRAWING IS NOT TO BE COPIED AND MUST BE RETURNED UPON REQUEST.  
 COPYRIGHT YARDENEY WATER MANAGEMENT SYSTEMS, 1993

SYN	REV	DESCRIPTION	DATE	BY	DATE	APP	DATE	APP	DATE
	B	MANUFACTURING CHANGES		DTC	1-06	APP		APP	
	A	ADDED 3D VIEW		DTC	2-05	APP		APP	
		REVISIONS							

APPROVALS	DATE
DRAWN BY: JMW	1/21/02
CHECKED BY:	
APPROVED BY:	
ARCHITECTURAL SCALE:	
USED ON:	

SEPARATOR R-80LA	SIZE	DRAWING NO:	REV
ANGLED	-	R_80LA	B
	SCALE:	DWG DIR: \SEPARATOR\PCSVAG	SHEET 1 OF 1

