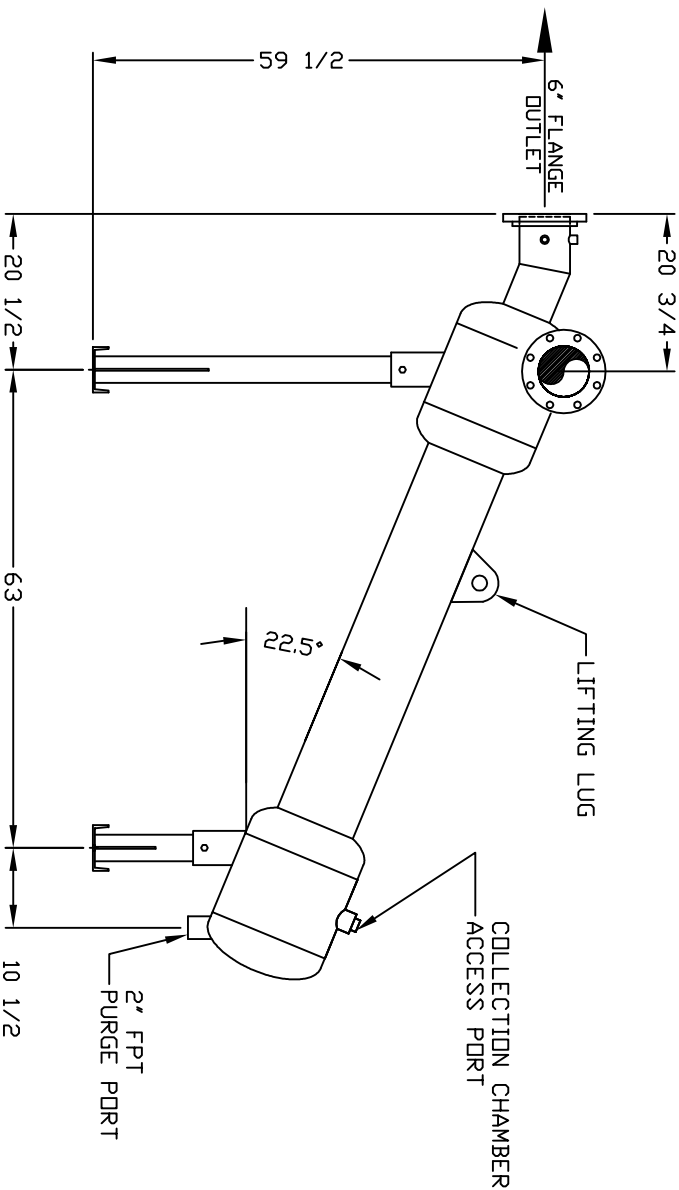
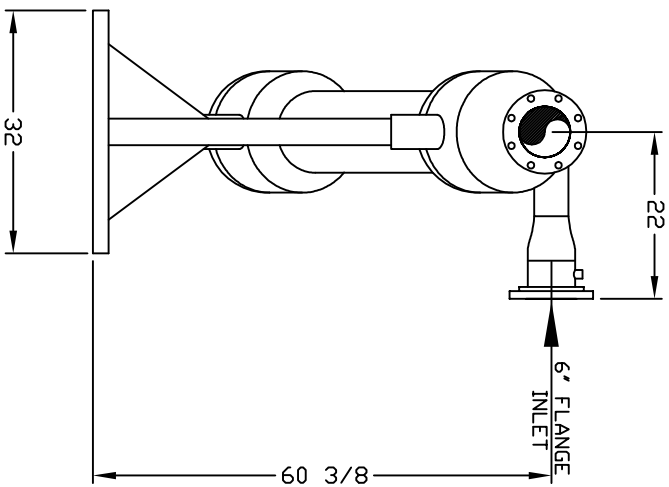


# SEPARATOR R60A



FLOW RATE: 365-960 GPM  
 MAX PRESSURE: 150 PSI MAX  
 MIN BACK PRESSURE: 15 PSI

THIS DRAWING, INCLUDING THE INFORMATION IT CONTAINS, IS CONFIDENTIAL, PROPRIETARY AND IS THE PROPERTY OF YARDENEY WATER MANAGEMENT, INC. IT IS SUBMITTED ONLY IN CONNECTION WITH THE TRANSACTION TO WHICH IT PERTAINS AND MUST NOT BE USED IN ANY OTHER MANNER DETRIMENTAL TO THE INTERESTS OF YARDENEY WATER MANAGEMENT. THE DRAWING IS NOT TO BE COPIED AND MUST BE RETURNED UPON REQUEST.  
 COPYRIGHT YARDENEY WATER MANAGEMENT SYSTEMS, 1993



APPROVALS DATE  
 DRAWN BY: JMW 1/21/02  
 CHECKED BY: JMW 1/21/02  
 APPROVED BY: JMW 1/21/02

SEPARATOR R-60  
 ANGLED

| SYN | REVISIONS             | BY  | DATE | APP | USED | DATE | SCALE | SHEET | OF |
|-----|-----------------------|-----|------|-----|------|------|-------|-------|----|
| A   | MANUFACTURING CHANGES | DTC | 1-06 | APP |      |      |       | 1     | 1  |