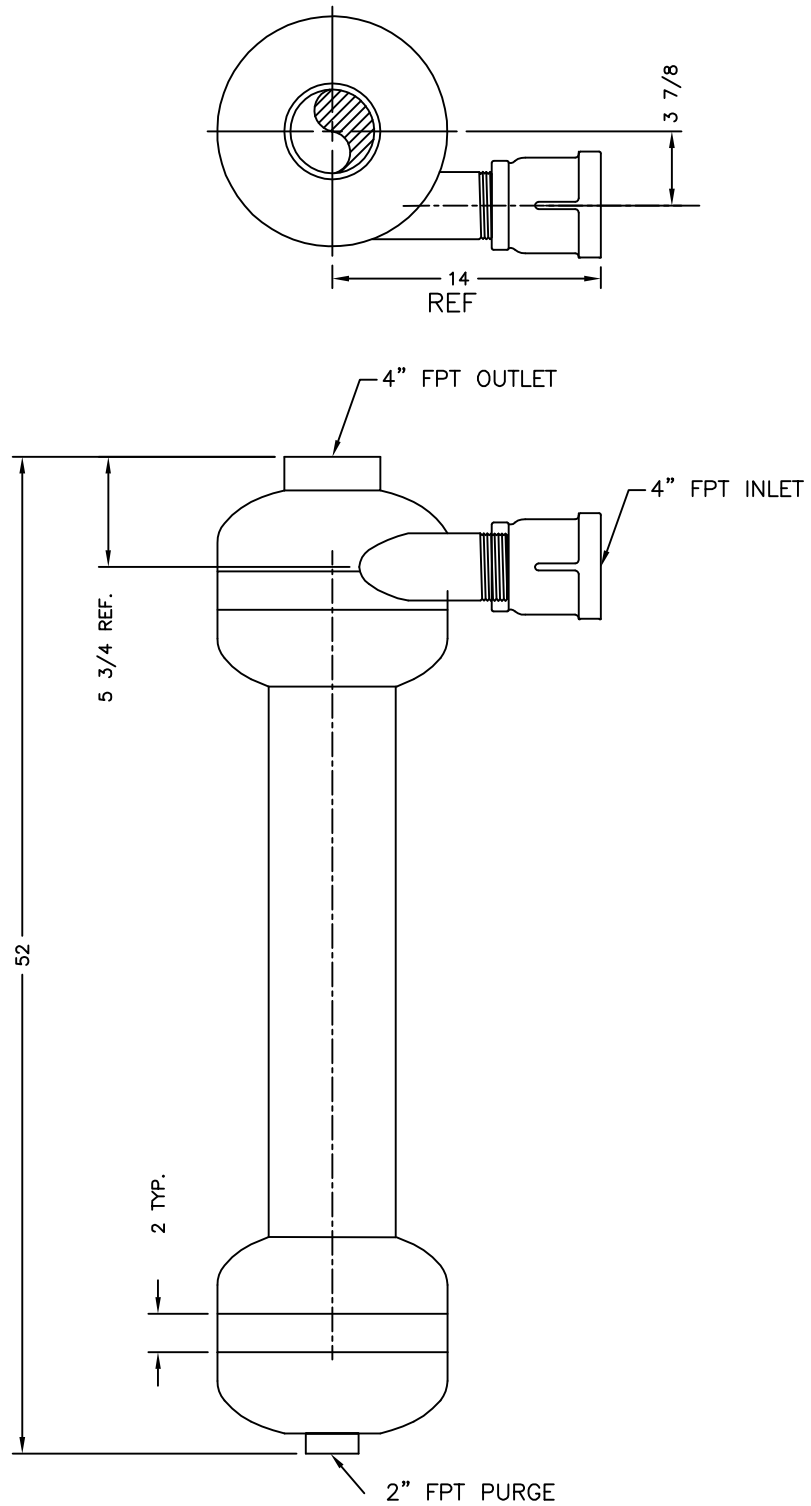


R40V SEPARATOR



FLOW RATE: 190 – 345 GPM.
 PRESSURE RATING: 150 PSI.
 SHIPPING WEIGHT: 120 LBS.

| | | | | | |
|---|-----------|----|----------|---|----------------|
| THIS DRAWING, INCLUDING THE INFORMATION IT CONTAINS, IS CONFIDENTIAL, PROPRIETARY AND IS THE PROPERTY OF YARDNEY WATER MANAGEMENT, INC. IT IS SUBMITTED ONLY IN CONNECTION WITH THE TRANSACTION TO WHICH IT PERTAINS AND MUST NOT BE USED IN ANY OTHER MANNER DETRIMENTAL TO THE INTERESTS OF YARDNEY WATER MANAGEMENT. THE DRAWING IS NOT TO BE COPIED AND MUST BE RETURNED UPON REQUEST. COPYRIGHT YARDNEY WATER MANAGEMENT SYSTEMS, 1994 | | | | Yardney WATER MANAGEMENT SYSTEMS RIVERSIDE, CALIFORNIA | |
| | | | | APPROVALS DATE DRAWN BY: JMW/14/03 CHECKED BY: | R40V SEPARATOR |
| APPROVED BY: | | | SIZE: — | DRAWING NO: R40V | REV: — |
| ARCHITECTURAL SCALE: | | | SCALE: — | DWG DIR: \SYSTEM\SEPARATOR\R\ | SHEET 1 OF 1 |
| SYM | REVISIONS | BY | DATE | APP | |