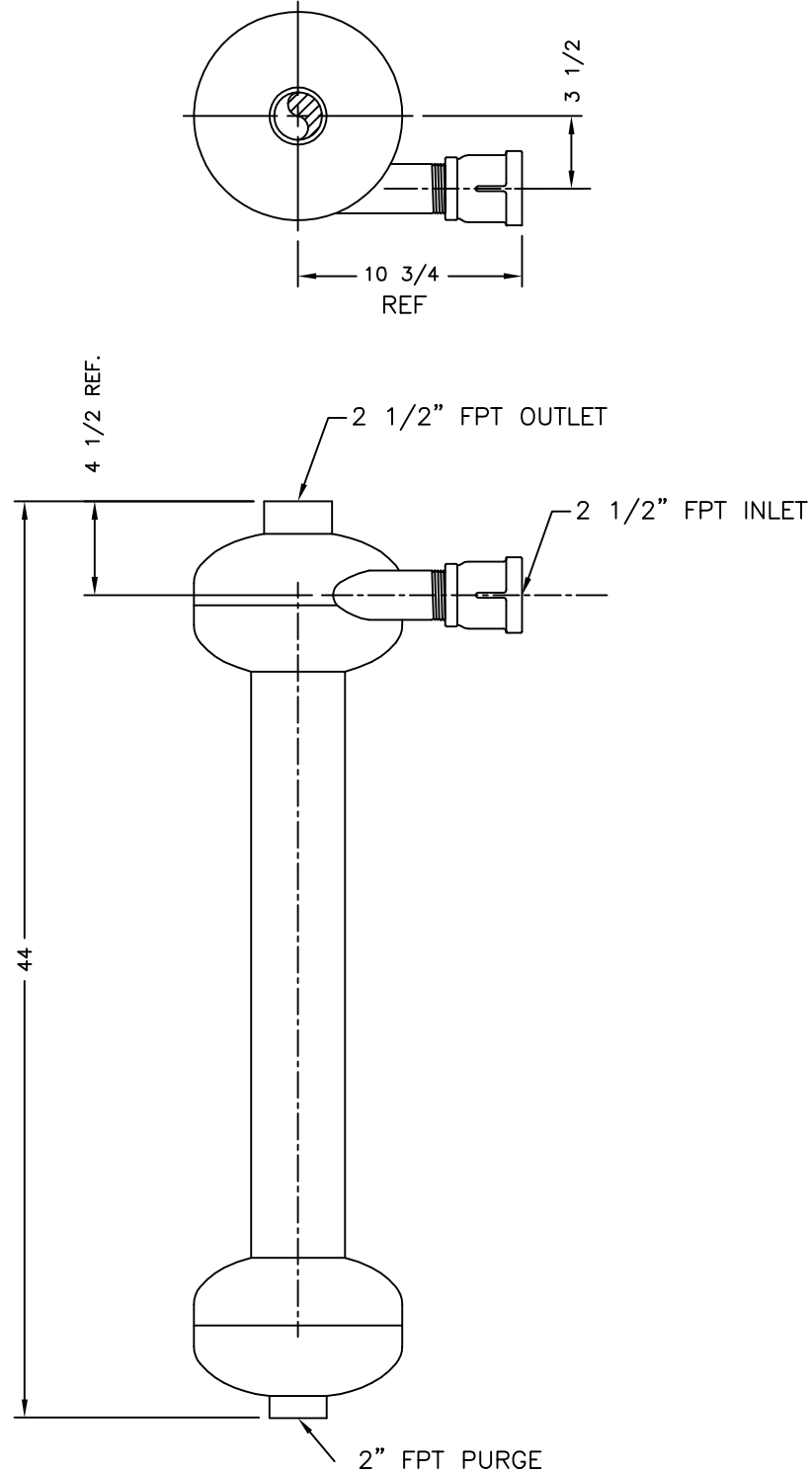


R25V SEPARATOR



FLOW RATE: 100 – 180 GPM.
 PRESSURE RATING: 150 PSI.
 SHIPPING WEIGHT: 55 LBS.

THIS DRAWING, INCLUDING THE INFORMATION IT CONTAINS, IS CONFIDENTIAL, PROPRIETARY AND IS THE PROPERTY OF YARDNEY WATER MANAGEMENT, INC. IT IS SUBMITTED ONLY IN CONNECTION WITH THE TRANSACTION TO WHICH IT PERTAINS AND MUST NOT BE USED IN ANY OTHER MANNER DETRIMENTAL TO THE INTERESTS OF YARDNEY WATER MANAGEMENT. THE DRAWING IS NOT TO BE COPIED AND MUST BE RETURNED UPON REQUEST. COPYRIGHT YARDNEY WATER MANAGEMENT SYSTEMS, 1994				Yardney WATER MANAGEMENT SYSTEMS RIVERSIDE, CALIFORNIA		
				APPROVALS: _____ DATE: _____ DRAWN BY: JMW/14/03	R25V SEPARATOR	
CHECKED BY: _____				SIZE: _____	DRAWING NO: R25V	REV: A
APPROVED BY: _____				SCALE: _____		
A	WAS 34-1/2 UPDATED TO LITURATURE DIM	DTC 3-04	APP	USED ON: _____		
REVISIONS				BY	DATE	APP
				DWG DIR: \SYSTEM\SEPARATOR\R\ SHEET 1 OF 1		