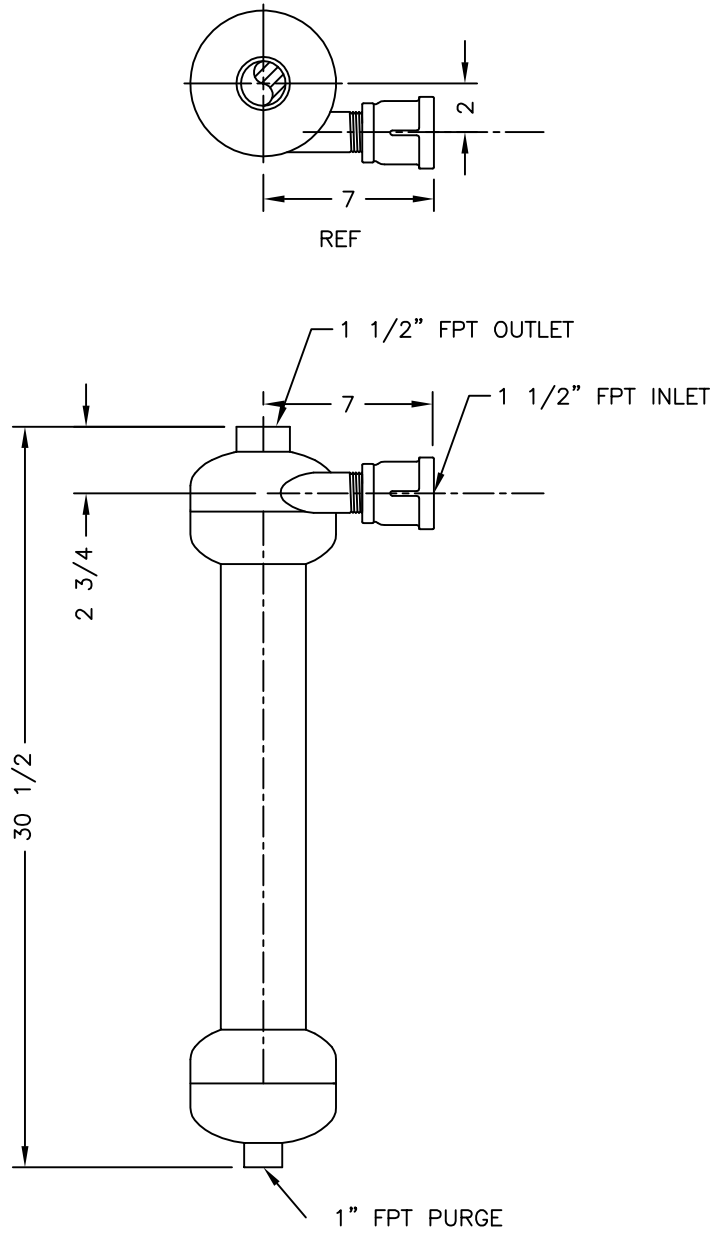



# R15V SEPARATOR



FLOW RATE: 38 – 79 GPM.  
 PRESSURE RATING: 150 PSI.  
 SHIPPING WEIGHT: 26 LBS.

THIS DRAWING, INCLUDING THE INFORMATION IT CONTAINS, IS CONFIDENTIAL, PROPRIETARY AND IS THE PROPERTY OF YARDNEY WATER MANAGEMENT, INC. IT IS SUBMITTED ONLY IN CONNECTION WITH THE TRANSACTION TO WHICH IT PERTAINS AND MUST NOT BE USED IN ANY OTHER MANNER DETRIMENTAL TO THE INTERESTS OF YARDNEY WATER MANAGEMENT. THE DRAWING IS NOT TO BE COPIED AND MUST BE RETURNED UPON REQUEST. COPYRIGHT YARDNEY WATER MANAGEMENT SYSTEMS, 1994				 WATER MANAGEMENT SYSTEMS RIVERSIDE, CALIFORNIA	
DRAWN BY:	JMW/14/03	SIZE	DRAWING NO:	REV:	
CHECKED BY:		—	R15V	—	
APPROVED BY:		ARCHITECTURAL SCALE:			
USED ON:		SCALE:	DWG DIR:\SYSTEM\SEPARATOR\R1	SHEET 1 OF 1	
SYM	REVISIONS	BY	DATE	APP	