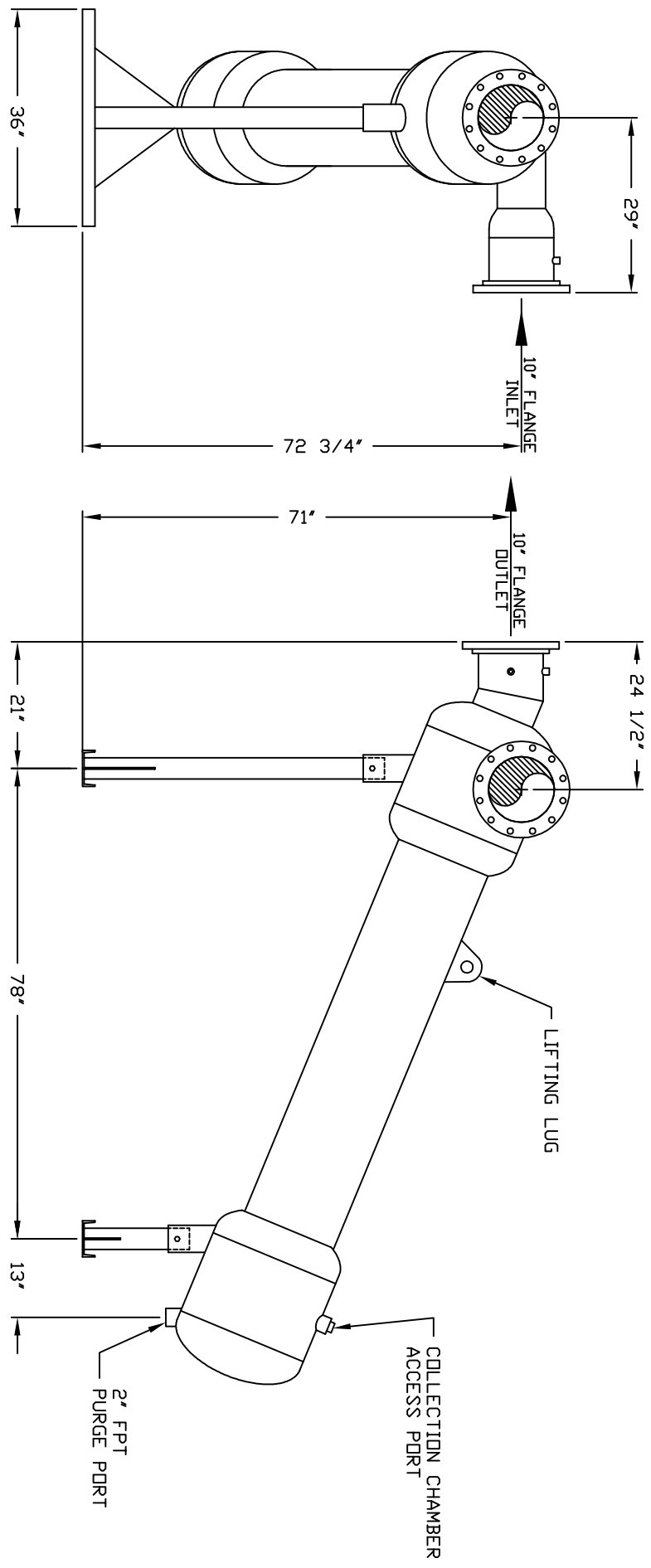



# SEPARATOR R-100LA



FLOW RATE: 1300-2300 GPM  
 MAX PRESSURE: 150 PSI MAX  
 MIN BACK PRESSURE: 15 PSI

THIS DRAWING, INCLUDING THE INFORMATION IT CONTAINS, IS CONFIDENTIAL, PROPRIETARY AND IS THE PROPERTY OF YARNEY WATER MANAGEMENT, INC. IT IS SUBMITTED ONLY IN CONNECTION WITH THE TRANSACTIONS TO WHICH IT PERTAINS AND MUST NOT BE USED IN ANY OTHER MANNER DETRIMENTAL TO THE INTERESTS OF YARNEY WATER MANAGEMENT. THE DRAWING IS NOT TO BE COPIED AND MUST BE RETURNED UPON REQUEST.  
 COPYRIGHT YARNEY WATER MANAGEMENT SYSTEMS, 1993

SYM	REVISIONS	BY	DATE	APP

 <p><b>Yardney</b>          WATER MANAGEMENT SYSTEMS          RIVERSIDE, CALIFORNIA</p>	<p>APPROVALS</p> <table border="1"> <tr> <th>DATE</th> <th>BY</th> </tr> <tr> <td>8-14-06</td> <td>DTC</td> </tr> </table>	DATE	BY	8-14-06	DTC
DATE	BY				
8-14-06	DTC				
<p>SEPARATOR R-100-LA          ANGLED</p>	<p>DATE: 8-14-06</p>				
<p>SIZE: R_100-LA</p>	<p>SCALE: 1" = 1'</p>				
<p>DRG DIR: SEPARATOR\DRG</p>	<p>SHEET 1 OF 1</p>				