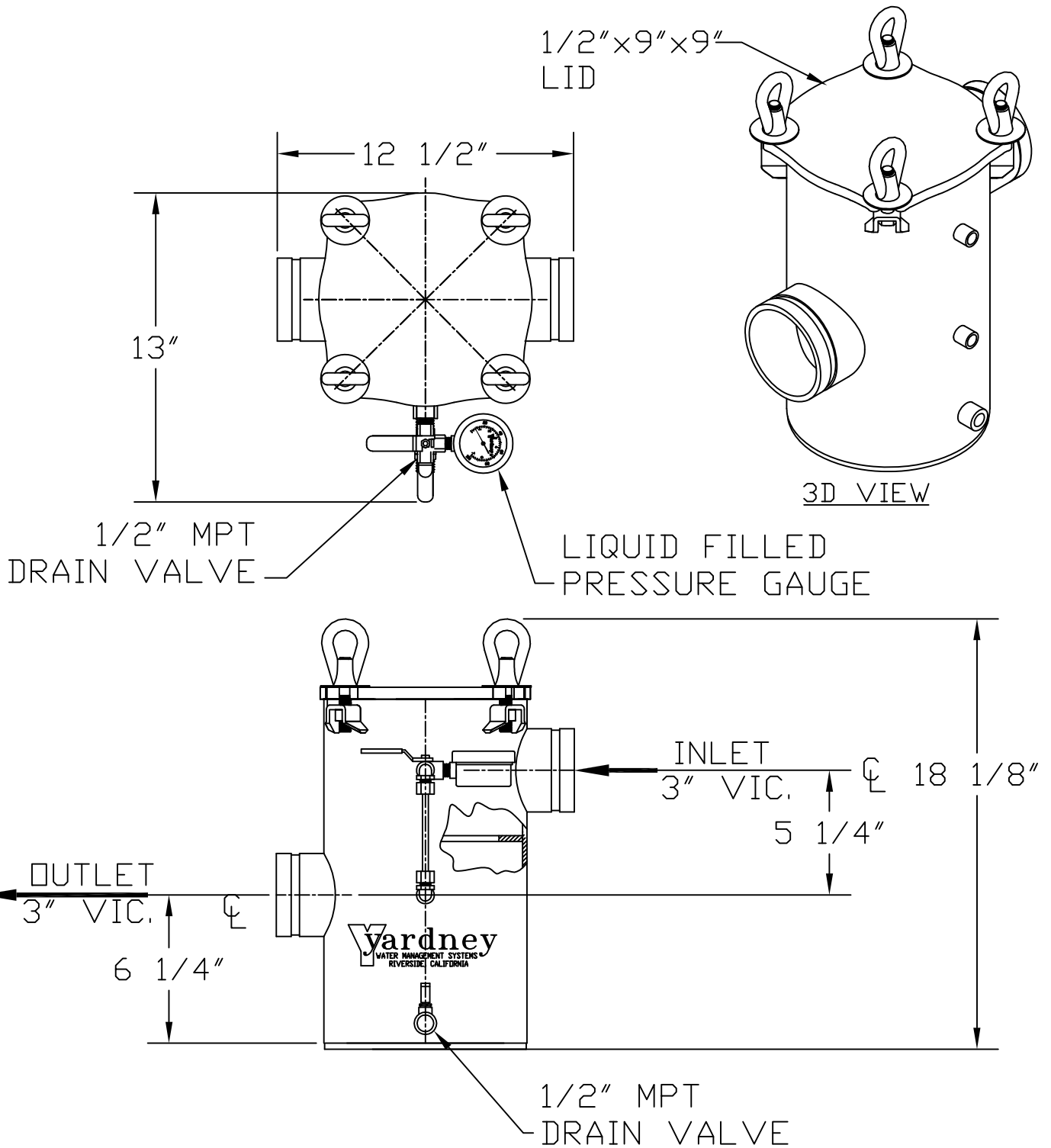


SB-3 BASKET STRAINER



NOTES: (UNLESS OTHERWISE STATED)

1. EPOXY COATED CARBON STEEL HOUSING.
2. POLYPROPYLENE SCREEN IN STAINLESS STEEL BASKET

MODEL	MAX FLOW	MAX PRESSURE
	GPM	PSI
SB 3	250	150

Cartridge Mesh Options:
40, 80, 100, 150, 200

THIS DRAWING, INCLUDING THE INFORMATION IT CONTAINS, IS CONFIDENTIAL, PROPRIETARY, AND IS THE PROPERTY OF YARDNEY WATER MANAGEMENT, INC. IT IS SUBMITTED ONLY IN CONNECTION WITH THE TRANSACTION TO WHICH IT PERTAINS AND MUST NOT BE USED IN ANY OTHER MANNER DETRIMENTAL TO THE INTERESTS OF YARDNEY WATER MANAGEMENT. THE DRAWING IS NOT TO BE COPIED

D	ADDED GAGE, 3-WAY & DRAIN VALVE	DTO	11-12
C	REPLACED 1/2" NUTS w/1/2" WELD TABS	DTO	8-12
B	1/2" HALF CPLG MOVED TO FRONT	DTO	7-10
A	MAX FLOW WAS 355 GPM	DTO	5-09
NO.	REVISION	BY	DATE

CUSTOMER:	 BASKET STRAINER	
USED ON:		
DRAWN BY: DTD		
DATE: 2004	DRAWING NO: 9125000103	REV: D
LOCATION: SYSTEMS_SB_GENERIC	SHEET 1 OF 1	