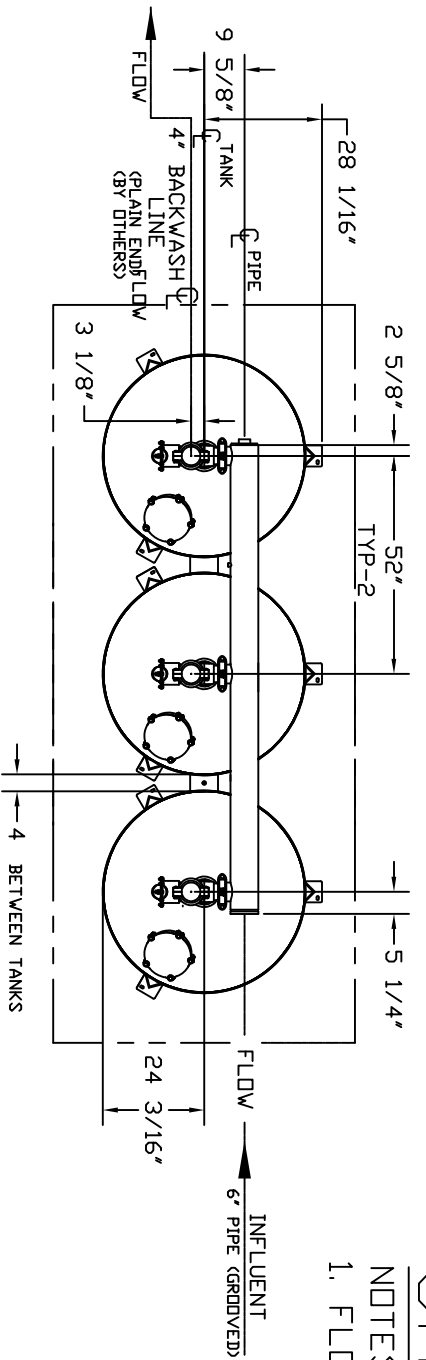
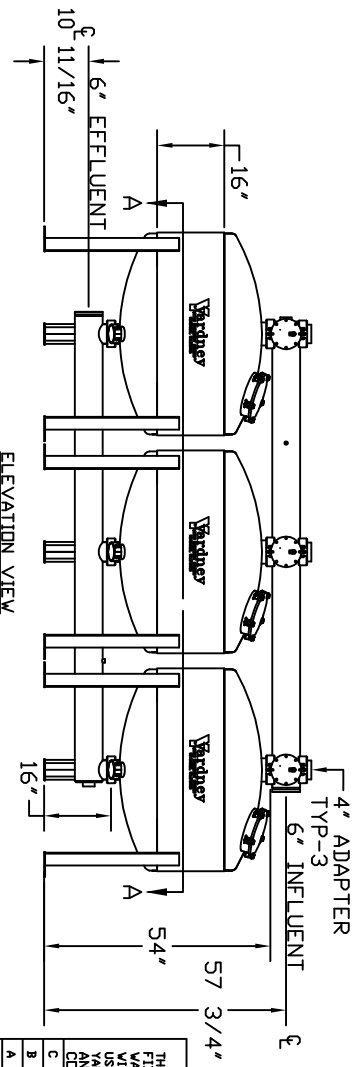
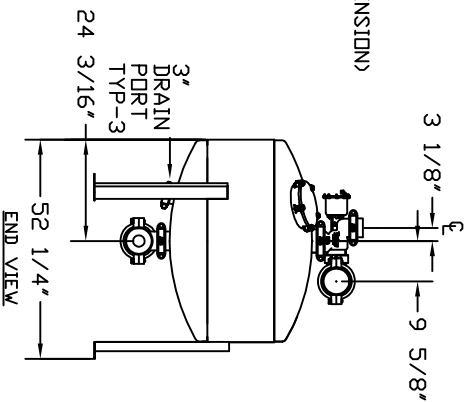
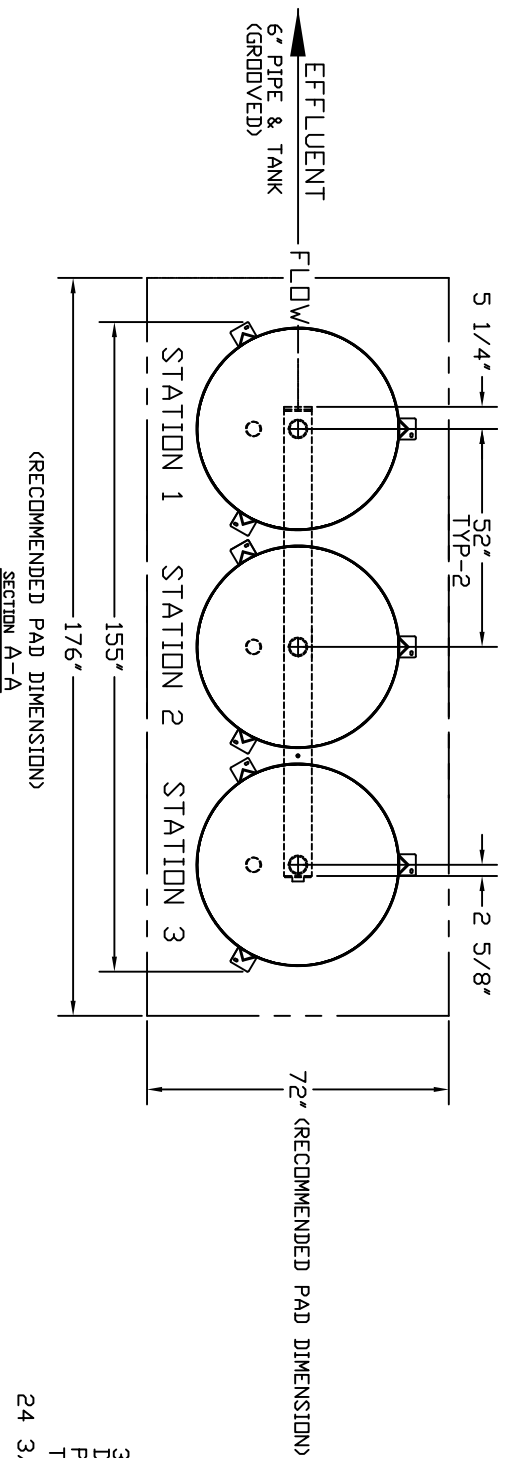


UPPER (INLET) MANIFOLD LAYOUT



LOWER (OUTLET) MANIFOLD LAYOUT



SM 4816-3A
 NOTES:
 1. FLOW RATE DESIGN: 638-938 GPM.

THIS DRAWING, INCLUDING THE INFORMATION IT CONTAINS, IS CONFIDENTIAL, PROPRIETARY AND IS THE PROPERTY OF YARDNEY WATER MANAGEMENT SYSTEMS, INC. IT IS TO BE USED ONLY IN CONNECTION WITH THE TRANSACTION TO WHICH IT PERTAINS AND MUST NOT BE USED IN ANY OTHER MANNER DETRIMENTAL TO THE INTERESTS OF YARDNEY WATER MANAGEMENT SYSTEMS, INC. THIS DRAWING AND MUST BE RETURNED UPON REQUEST. ANY REUSE OR REPRODUCTION OF THIS DRAWING WITHOUT THE WRITTEN PERMISSION OF YARDNEY WATER MANAGEMENT SYSTEMS, INC. IS STRICTLY PROHIBITED.		APPROVALS DATE DRAWN BY: [Signature] 4-11-94 CHECKED BY: [Signature] APPROVED BY: [Signature]	DD NOT SCALE DWG. WATER MANAGEMENT SYSTEMS RIVERSIDE, CALIFORNIA Yardney FILTER SM 4816-3 END FEED LAYOUT SIZE DRAWING NO: 9000481603 SCALE: NONE SHEET 1 OF 1
A DRAWN TO SCALE	B DRAWN SECTION VIEW TO NEW DESIGN MANWAY	C WELD TABS ON MANWAY RINGS, ADDED NOTES.	REV. C DATE 9-08 BY DTC APP APP