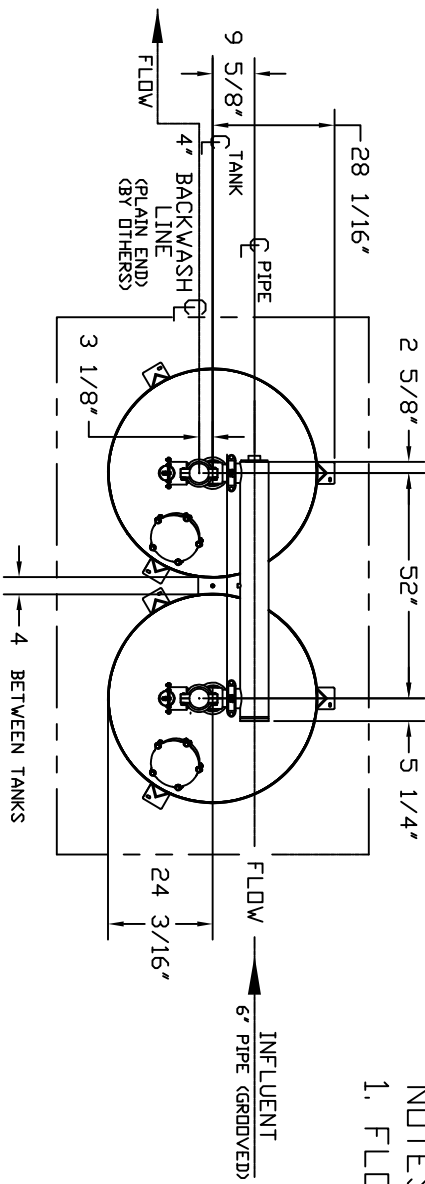
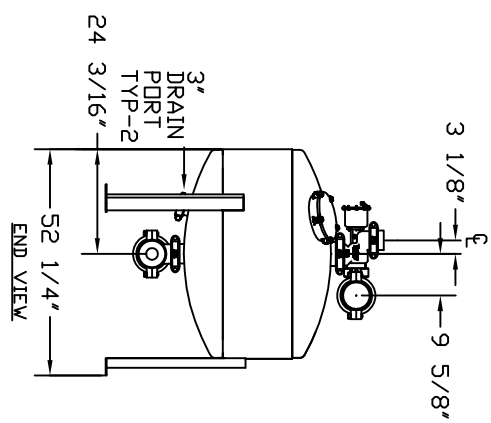
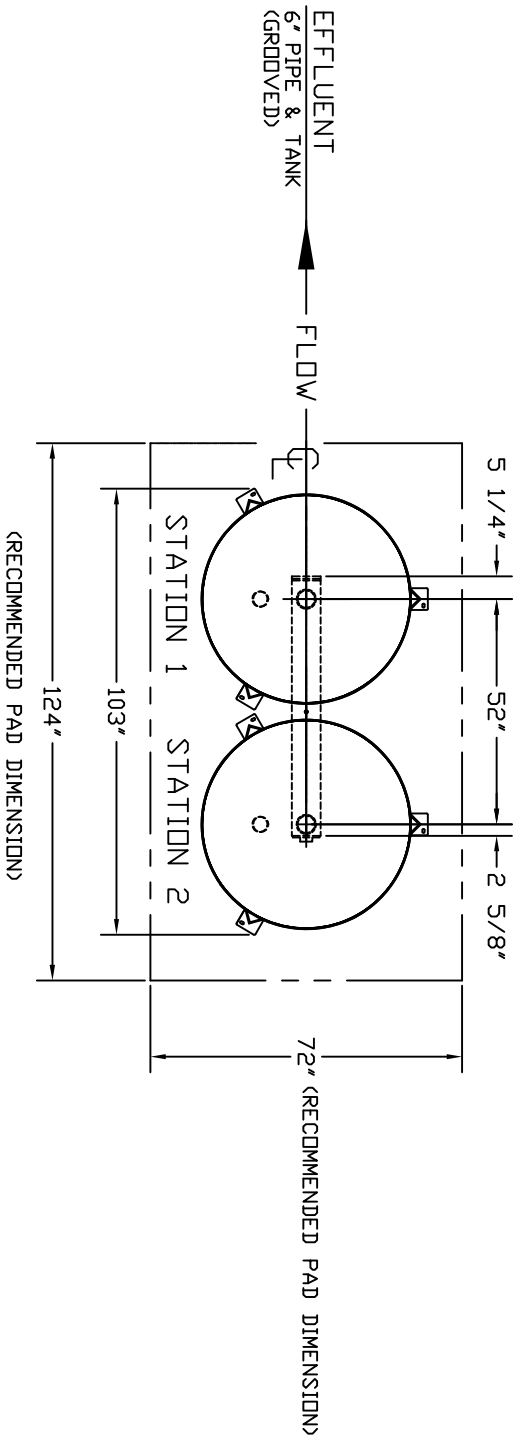


UPPER (INLET) MANIFOLD LAYOUT



LOWER (OUTLET) MANIFOLD LAYOUT



SM 4816-2A

NOTES:  
1. FLOW RATE DESIGN: 425-625 GPM.

<p>THIS DRAWING, INCLUDING THE INFORMATION IT CONTAINS, IS CONFIDENTIAL, PROPRIETARY AND IS THE PROPERTY OF YARDENEY WATER MANAGEMENT, INC. IT IS SUBMITTED ONLY IN CONNECTION WITH THE ASSIGNED PROJECT AND IS NOT TO BE REPRODUCED, COPIED, OR USED IN ANY MANNER WITHOUT THE WRITTEN CONSENT OF YARDENEY WATER MANAGEMENT. THE DRAWING IS NOT TO BE COPIED AND MUST BE RETURNED UPON REQUEST. COPYRIGHT YARDENEY WATER MANAGEMENT SYSTEMS, 1994</p>		<p>APPROVALS DATE DRAWN BY: DTG 8-14 APP 9-08 CHECKED BY: DTG 11-12 APP 11-12 DESIGNED BY: DTG 11-12 APP 11-12 SCALE: NONE</p>	
<p>REVISIONS</p>		<p>Yardney DD NOT SCALE DWG. WATER MANAGEMENT SYSTEMS RIVERSIDE, CALIFORNIA</p>	
A	DRAWN TO SCALE	D	FILTER SM 4816-2 END FEED LAYOUT
SYM	REVISIONS	SCALE: NONE	90000481602
		SIZE: DRAWING NO. 90000481602	REV: C
		SCALE: NONE	SHEET 1 OF 1