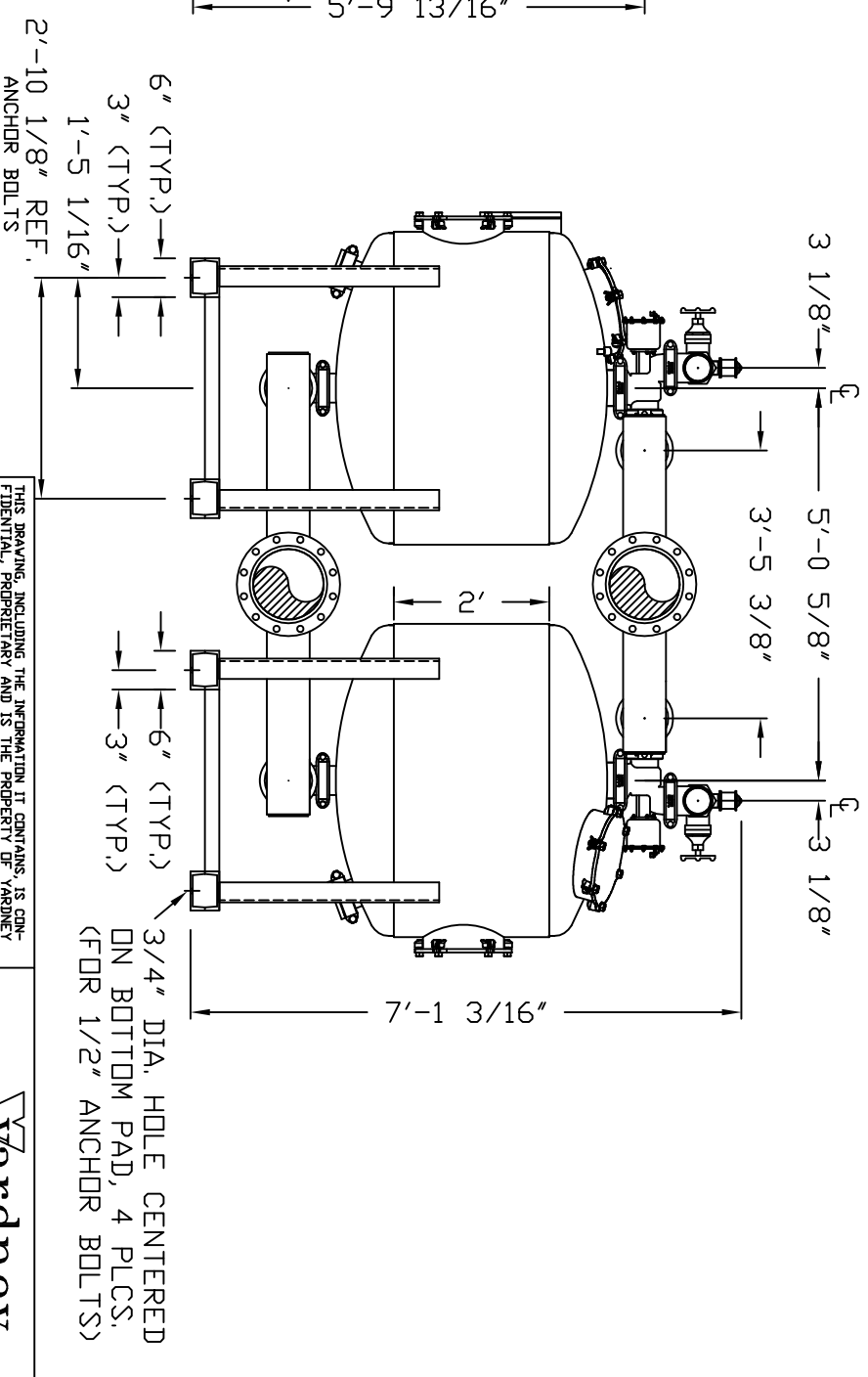
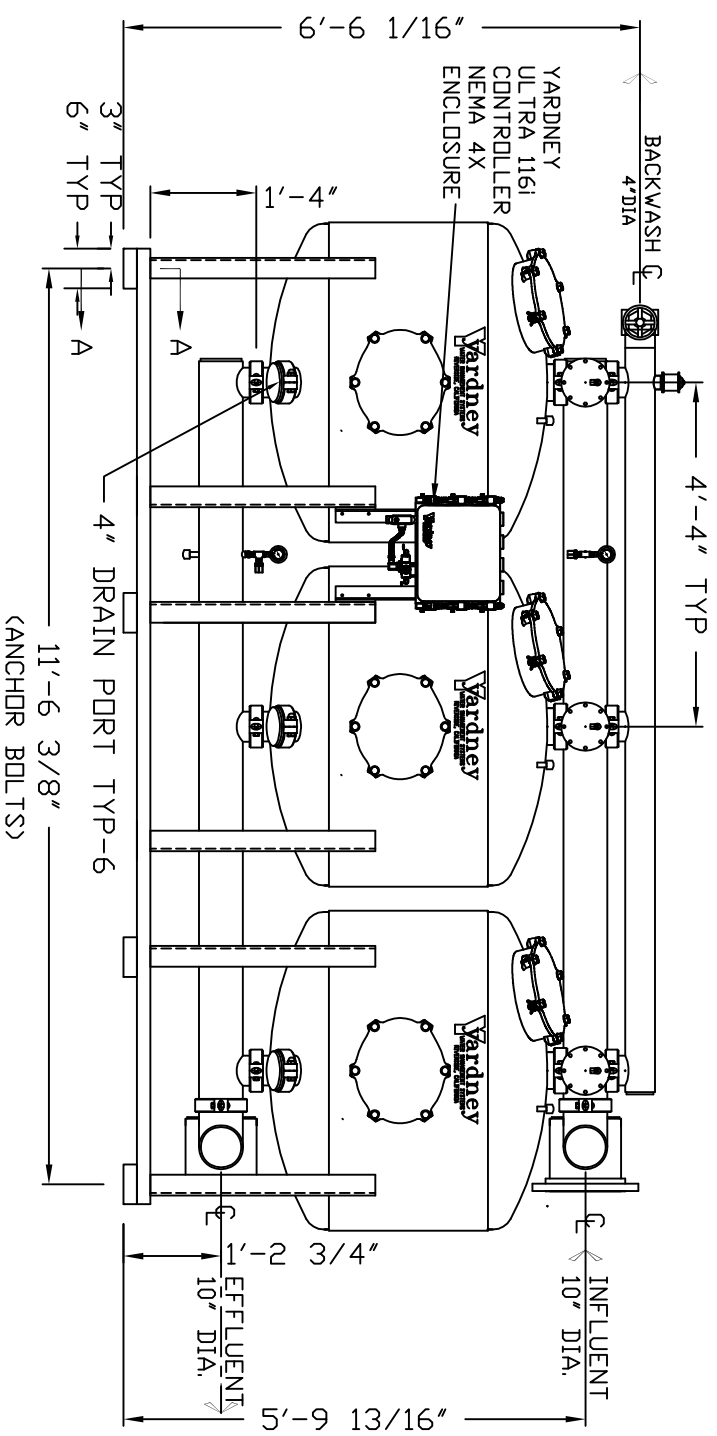
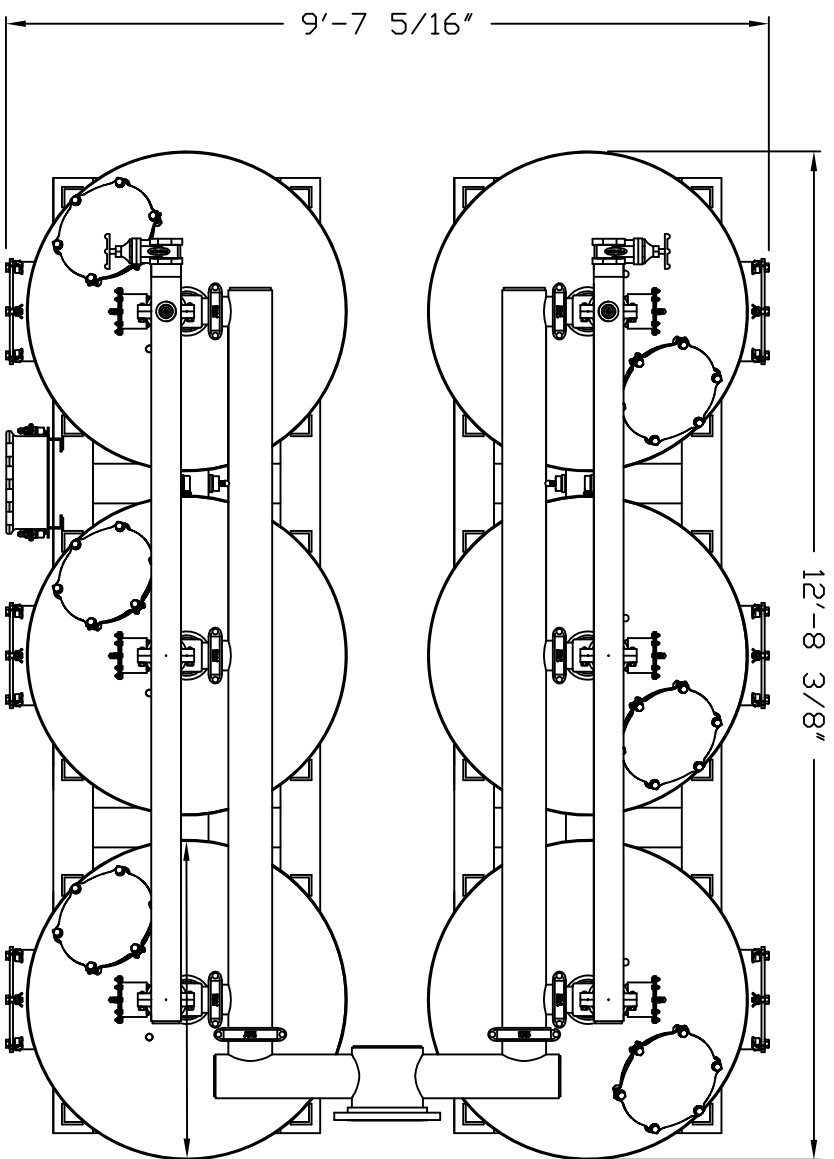
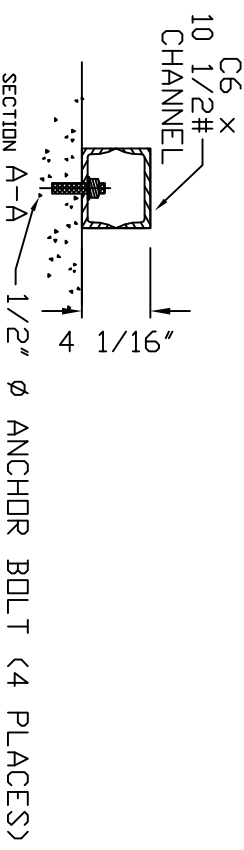


IL 4824-6A

U-PATTERN



- NOTES:
1. FLOW RATE DESIGN: 756-1134 GPM.
BACKWASH RATE: 15 GPM/FT².
 2. MAXIMUM WORKING PRESSURE: 80 PSI.
 3. ELECTRICAL REQUIREMENTS:
CONTROLLER 120V;
SOLENOIDS 24VAC, FACTORY WIRED
 4. AIR SUPPLY REQUIRED: 2 CFM @ 70 PSIG (MIN.).
 5. MEDIA REQUIREMENT PER TANK:
A. 1/2"x3/4" CRUSHED ROCK: 7.0 CU. FT.
B. 0.47mm CRUSHED SILICA SAND: 21.0 CU. FT.
 6. WEIGHTS: (APPROX.)
EQUIPMENT: 5,350 LBS (LESS MEDIA)
MEDIA: 16,800 LBS
OPERATION: 26,500 LBS



THIS DRAWING, INCLUDING THE INFORMATION IT CONTAINS, IS THE CONFIDENTIAL, PROPRIETARY AND IS THE PROPERTY OF YARDNEY WATER MANAGEMENT, INC. IT IS SUBMITTED ONLY IN CONNECTION WITH THE TRANSACTION TO WHICH IT PERTAINS AND MUST NOT BE USED IN ANY OTHER MANNER DETRIMENTAL TO THE INTERESTS OF YARDNEY WATER MANAGEMENT. THE DRAWING IS NOT TO BE COPIED AND NOT BE REPRODUCED OR TRANSMITTED IN ANY FORM OR BY ANY MEANS, ELECTRONIC OR MECHANICAL, INCLUDING PHOTOCOPYING, RECORDING, OR BY ANY INFORMATION STORAGE AND RETRIEVAL SYSTEM.

APPROVALS	DATE	APPROVED BY	DATE
D	9-12	APP	11/9/98
C	11-09	APP	
B	10-05	APP	
A	9-05	APP	

IL 4824-6A
FILTER SYSTEM
95004824

SCALE: 1" = 1'