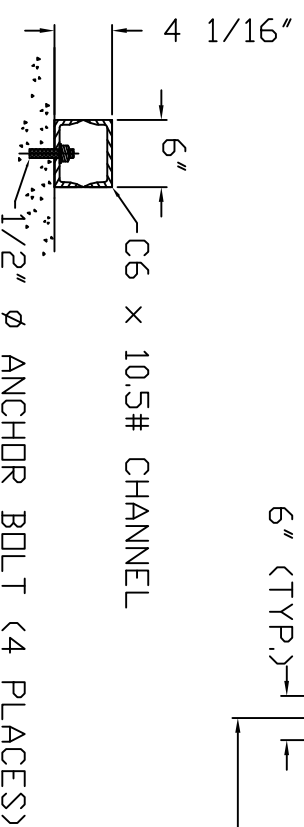
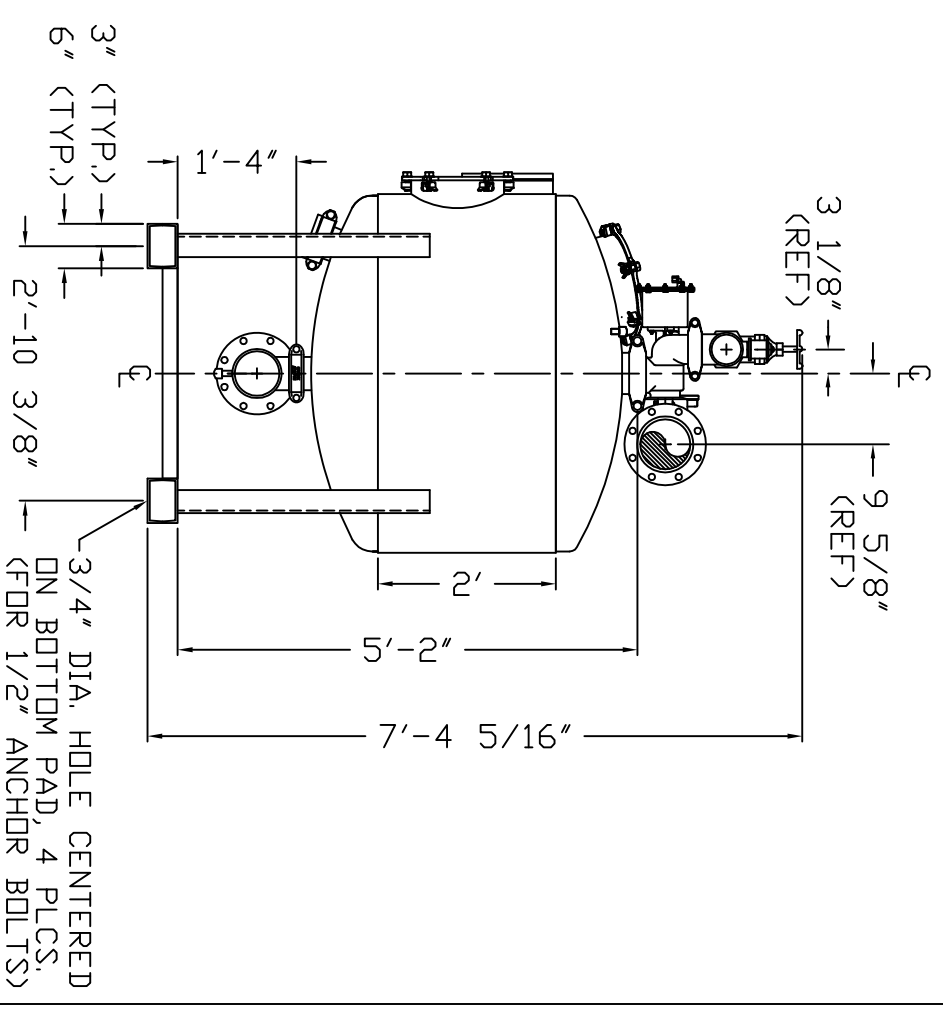
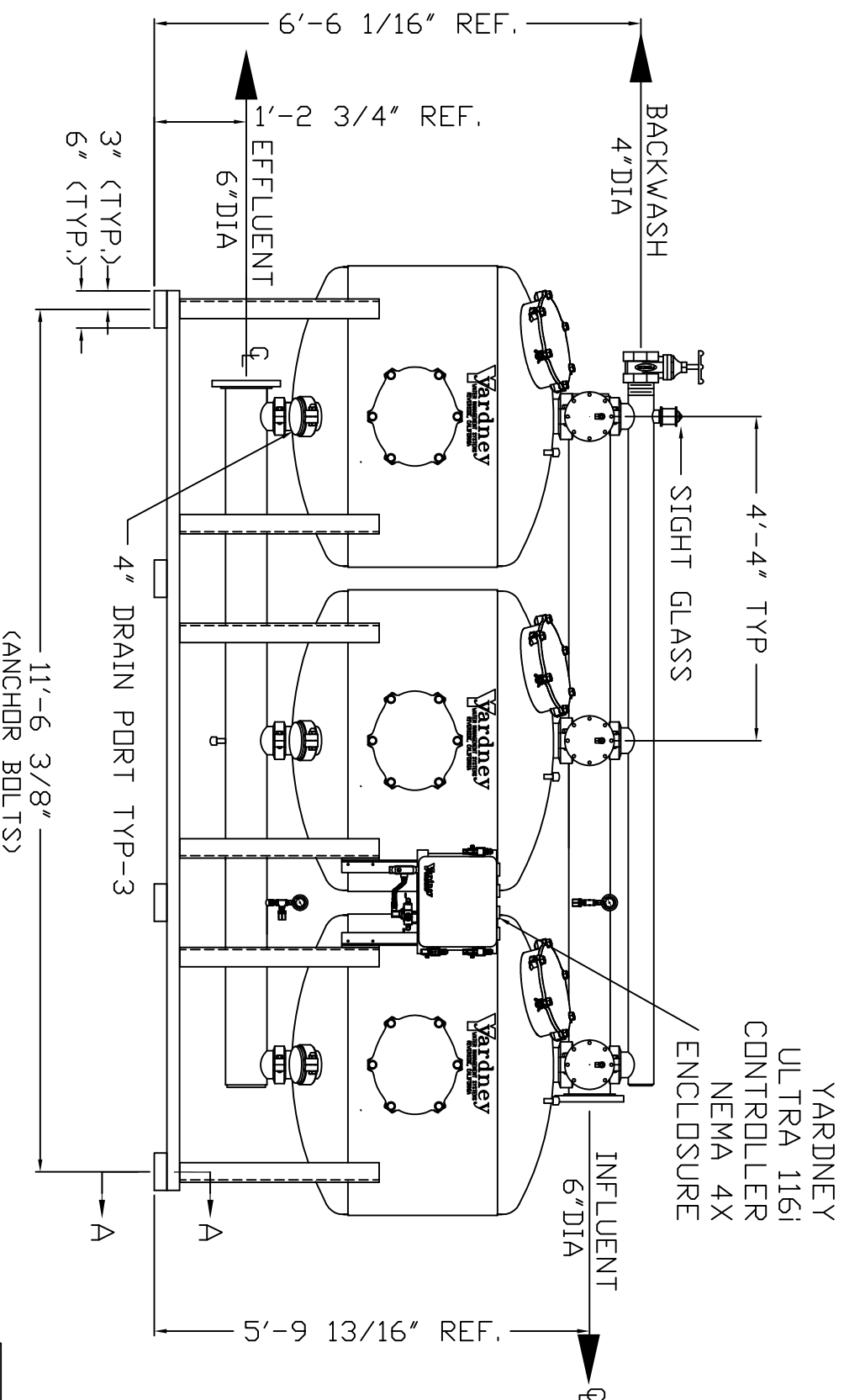
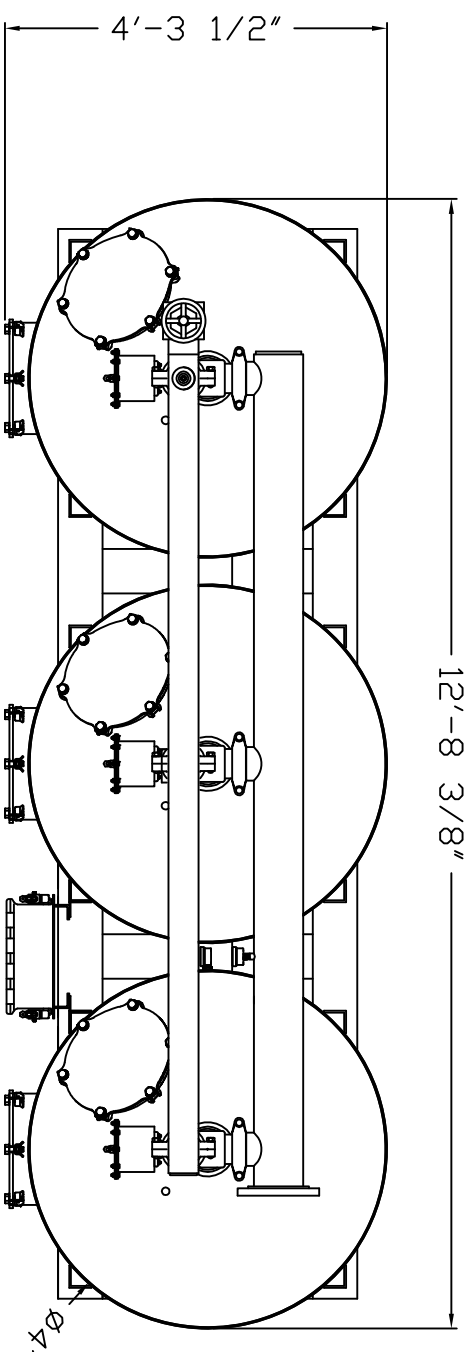


IL4824-3A

NOTES:

1. FLOW RATE DESIGN: 378-567 GPM.
BACKWASH RATE: 15 GPM/FT².
2. MAXIMUM WORKING PRESSURE: 80 PSI.
3. ELECTRICAL REQUIREMENTS:
CONTROLLER 120V;
SOLENOIDS 24VAC; FACTORY WIRE
4. AIR SUPPLY REQUIRED: 2 CFM @ 70 PSIG (MIN.).
5. MEDIA REQUIREMENT PER TANK:
A. 1/2"x3/4" CRUSHED ROCK: 7.0 CU. FT.
B. 0.47mm CRUSHED SILICA SAND: 21.0 CU. FT.
6. WEIGHTS: (APPROX.)
EQUIPMENT: 2,590 LBS (LESS MEDIA)
MEDIA: 8,400 LBS
OPERATION: 13,150 LBS



THIS DRAWING, INCLUDING THE INFORMATION IT CONTAINS, IS CONFIDENTIAL, PROPRIETARY AND IS THE PROPERTY OF YARDNEY WATER MANAGEMENT, INC. IT IS SUBMITTED ONLY IN CONNECTION WITH THE TRANSACTION TO WHICH IT PERTAINS AND MUST NOT BE USED IN ANY OTHER MANNER DETRIMENTAL TO THE INTERESTS OF YARDNEY WATER MANAGEMENT. THE DRAWING IS NOT TO BE COPIED AND MUST BE RETURNED UPON REQUEST. CERTAIN TRADE WATER MANAGEMENT SYSTEMS, 1994

SYMBOL	REVISIONS	BY	DATE	APP	USED IN	SCALE	ACAD #	SYSTEM	SHEET	OF
F	WELD TABS ON MANWAY PORTS	DTC	9-12	APP					1	1
E	ADDED 4" DRAIN PORT	DTC	11-09	APP	APPROVALS					
D	MADE UNIT WITH A NEMA 4X ENCLOSURE	DTC	4-06	APP	DATE					
C	CORRECTED GPM FLOW RATES	DTC	10-05	APP	BY: K.A.T. 9/22/04					
B	STANDARDIZED NOTES	DTC	9-05	APP	CHECKED BY:					
A					APPROVED BY:					
SYM					ARCHITECTURAL					

IL 4824-3A
FILTHER SYSTEM
SIZE DRAWING NO. 9500482403
REV. F

