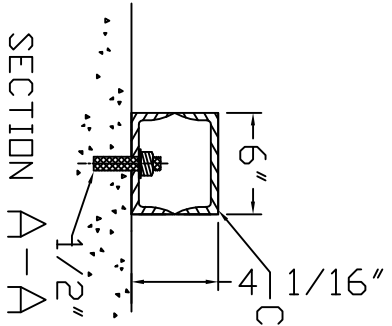
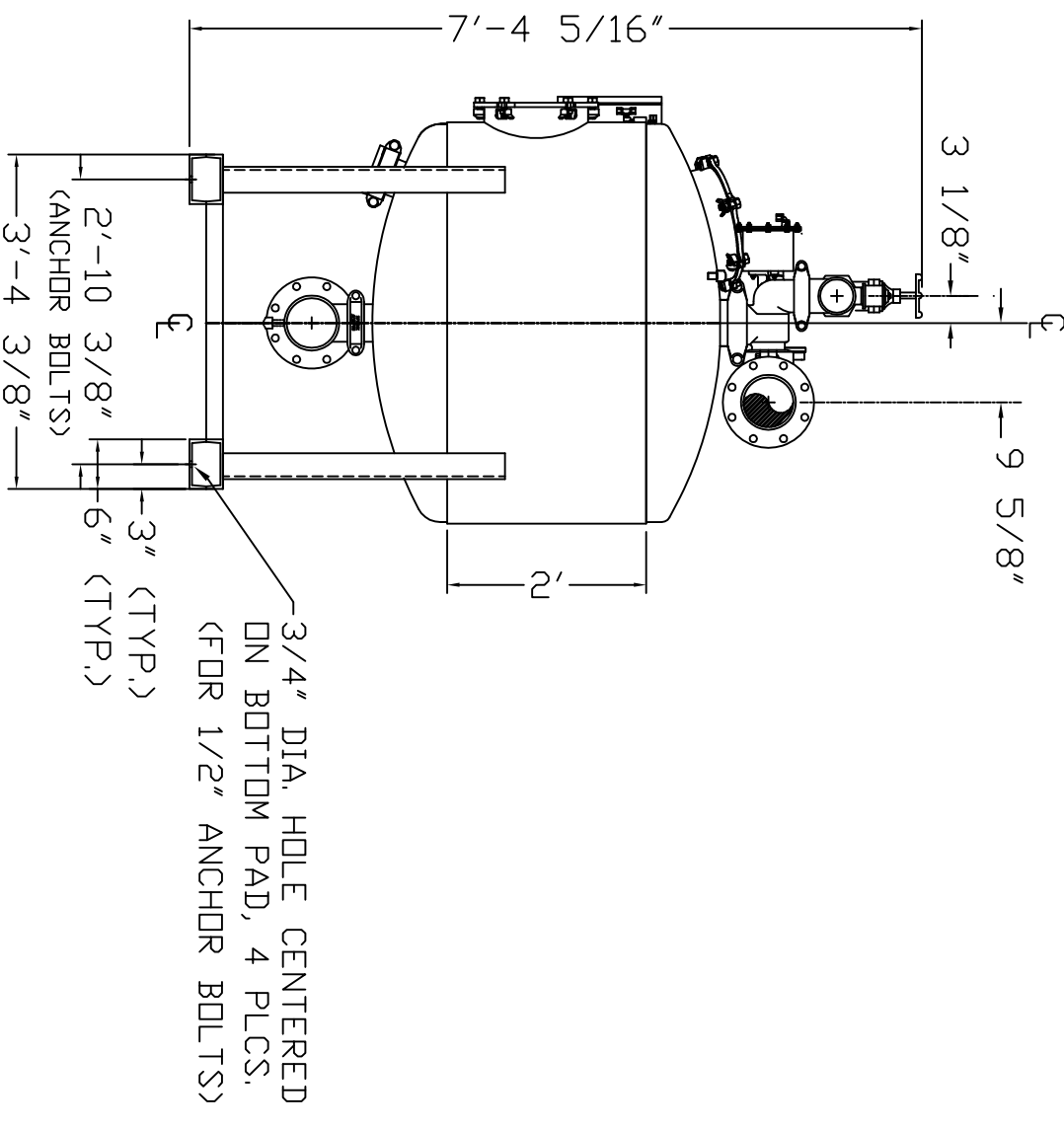
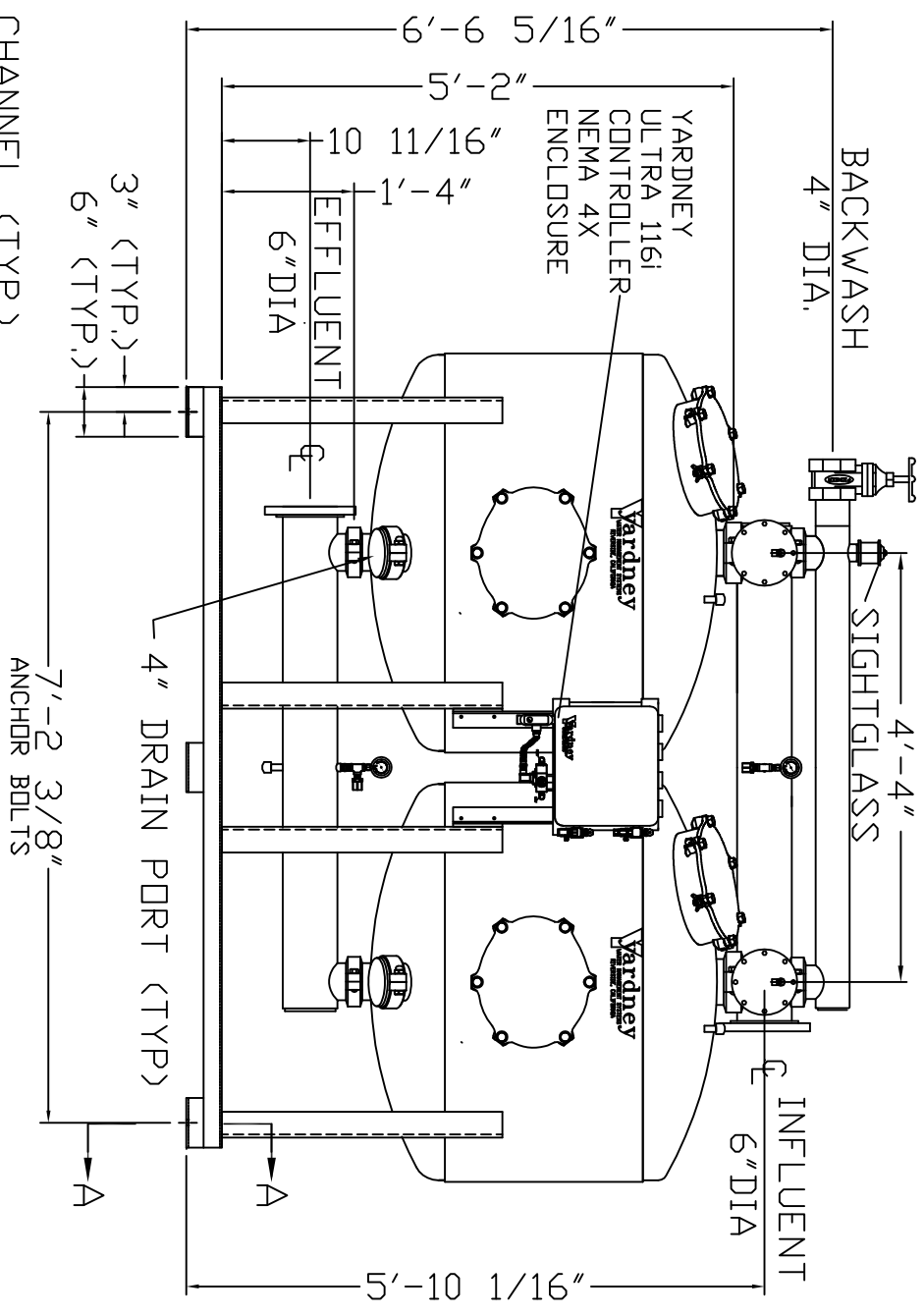
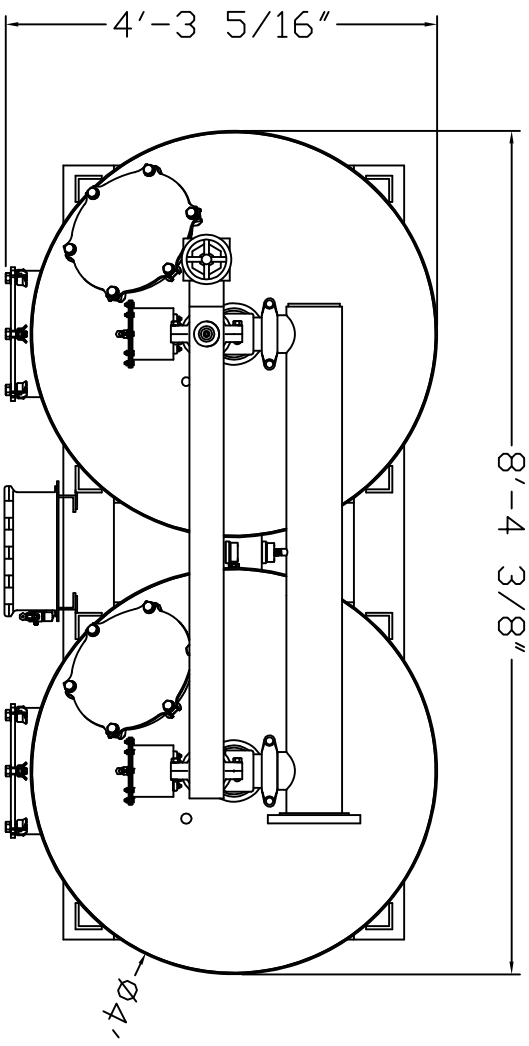


# IL 4824-2A

NOTES:

1. FLOW RATE DESIGN: 252-378 GPM.  
BACKWASH RATE: 15 GPM/FT<sup>2</sup>.
2. MAXIMUM WORKING PRESSURE: 80 PSI.
3. ELECTRICAL REQUIREMENTS:  
CONTROLLER 120V;  
SOLENOIDS 24VAC; FACTORY WIRED
4. AIR SUPPLY REQUIRED: 2 CFM @ 70 PSIG (MIN.).
5. MEDIA REQUIREMENT PER TANK:  
A. 1/2"x3/4" CRUSHED ROCK: 7.0 CU. FT.  
B. 0.47mm CRUSHED SILICA SAND: 21.0 CU. FT.
6. WEIGHTS: (APPROX)  
EQUIPMENT: 1,780 LBS (LESS MEDIA)  
MEDIA: 5,625 LBS  
OPERATION: 8,850 LBS



SECTION A-A  
Ø ANCHOR BOLT (4 PLACES)

| <p>THIS DRAWING, INCLUDING THE INFORMATION IT CONTAINS, IS CONFIDENTIAL, PROPRIETARY AND IS THE PROPERTY OF YARDNEY WATER MANAGEMENT, INC. ITS SUBMITTED DATA IN CONNECTION WITH THE REQUESTED DESIGN AND MUST NOT BE REPRODUCED OR USED IN ANY MANNER WITHOUT THE WRITTEN CONSENT OF YARDNEY WATER MANAGEMENT SYSTEMS, INC. AND MUST BE RETURNED UPON REQUEST.</p>                   |      | <p>DO NOT SCALE DWG.</p>        |      |    |         |     |       |     |      |     |      |     |       |     |       |     |      |     |      |     |   |   |   |   |
|---|------|---------------------------------|------|----|---------|-----|-------|-----|------|-----|------|-----|-------|-----|-------|-----|------|-----|------|-----|---|---|---|---|
| <p>APPROVALS</p> <table border="1"> <tr> <th>DATE</th> <th>BY</th> <th>DATE</th> <th>BY</th> </tr> <tr> <td>9-12-09</td> <td>APP</td> <td>11-09</td> <td>APP</td> </tr> <tr> <td>9-06</td> <td>DTC</td> <td>9-06</td> <td>APP</td> </tr> <tr> <td>10-05</td> <td>DTC</td> <td>10-05</td> <td>APP</td> </tr> <tr> <td>9-05</td> <td>DTC</td> <td>9-05</td> <td>APP</td> </tr> </table> | DATE | BY                              | DATE | BY | 9-12-09 | APP | 11-09 | APP | 9-06 | DTC | 9-06 | APP | 10-05 | DTC | 10-05 | APP | 9-05 | DTC | 9-05 | APP | <p>DATE</p> <p>11-09</p> <p>9-06</p> <p>10-05</p> <p>9-05</p> | <p>BY</p> <p>APP</p> <p>APP</p> <p>APP</p> <p>APP</p> | <p>DATE</p> <p>11-09</p> <p>9-06</p> <p>10-05</p> <p>9-05</p> | <p>BY</p> <p>APP</p> <p>APP</p> <p>APP</p> <p>APP</p> |
| DATE  | BY   | DATE                            | BY   |    |         |     |       |     |      |     |      |     |       |     |       |     |      |     |      |     |   |   |   |   |
| 9-12-09   | APP  | 11-09                           | APP  |    |         |     |       |     |      |     |      |     |       |     |       |     |      |     |      |     |   |   |   |   |
| 9-06  | DTC  | 9-06                            | APP  |    |         |     |       |     |      |     |      |     |       |     |       |     |      |     |      |     |   |   |   |   |
| 10-05   | DTC  | 10-05                           | APP  |    |         |     |       |     |      |     |      |     |       |     |       |     |      |     |      |     |   |   |   |   |
| 9-05  | DTC  | 9-05                            | APP  |    |         |     |       |     |      |     |      |     |       |     |       |     |      |     |      |     |   |   |   |   |
| <p>WELD TABS ON MANWAY RINGS</p>  |      | <p>ADDED 4\"/&gt; </p>          |      |    |         |     |       |     |      |     |      |     |       |     |       |     |      |     |      |     |   |   |   |   |
| <p>ADDED NEMA 4X ENCLOSURE</p>  |      | <p>CORRECTED GPM FLOW RATES</p> |      |    |         |     |       |     |      |     |      |     |       |     |       |     |      |     |      |     |   |   |   |   |
| <p>STANDARDIZED NOTES</p>   |      | <p>REVISIONS</p>                |      |    |         |     |       |     |      |     |      |     |       |     |       |     |      |     |      |     |   |   |   |   |
| <p>SYN</p>  |      | <p>BY DATE</p>                  |      |    |         |     |       |     |      |     |      |     |       |     |       |     |      |     |      |     |   |   |   |   |



IL 4824-2A  
FILTER SYSTEM  
9500482402  
SHEET 1 OF 1