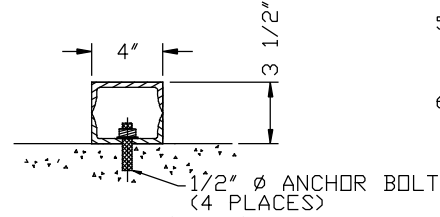
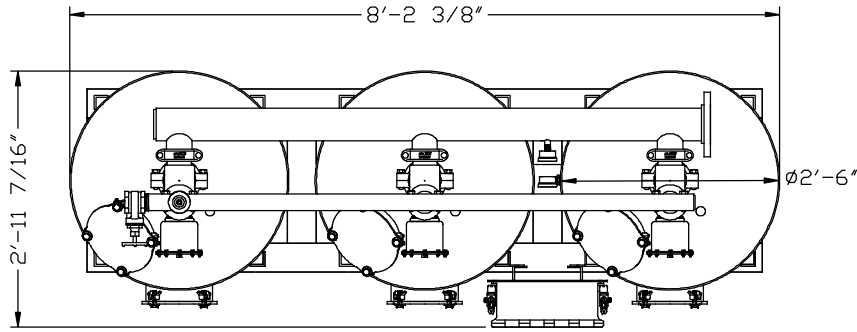


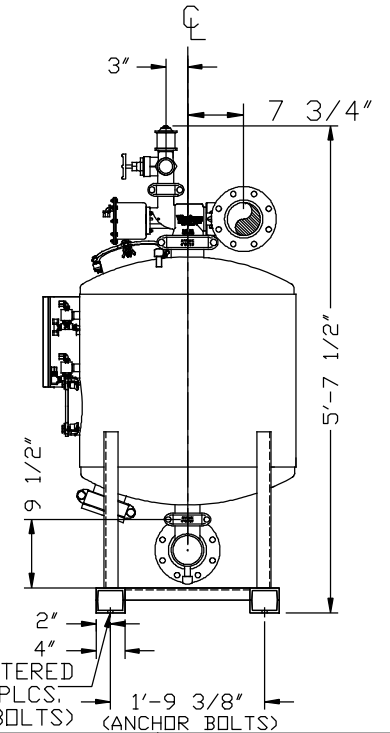
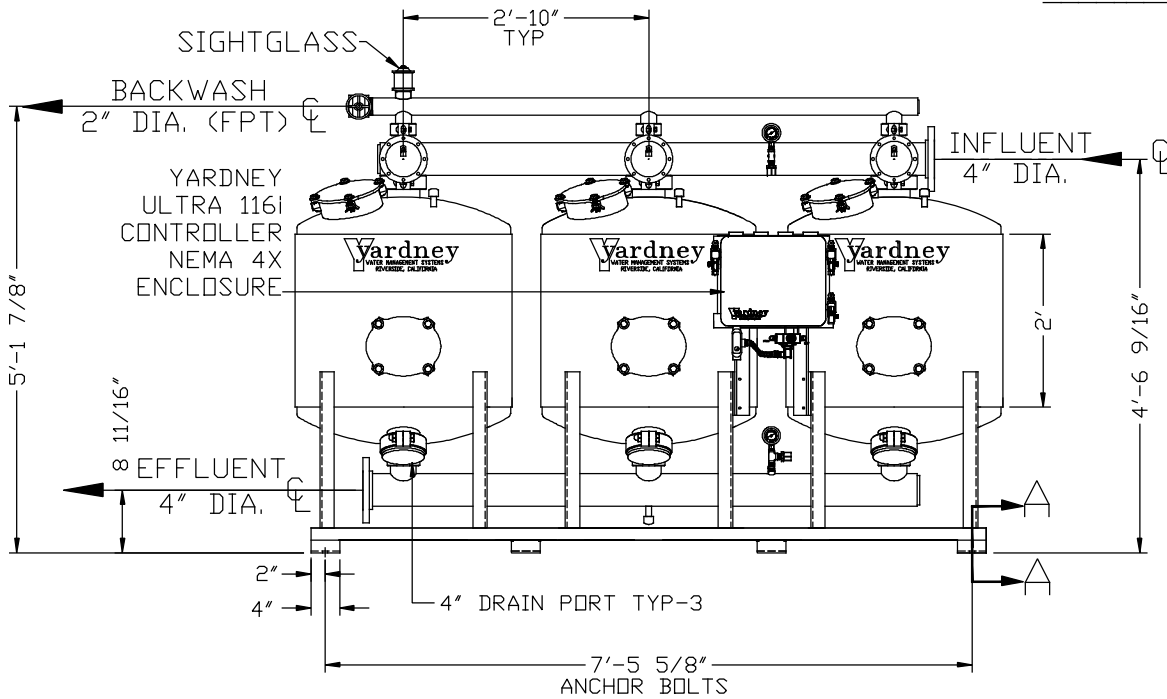
# IL 3024-3A

NOTES:

1. FLOW RATE DESIGN: 147-221 GPM.  
BACKWASH RATE: 15 GPM/FT<sup>2</sup>.
2. MAXIMUM WORKING PRESSURE: 100 PSI.
3. ELECTRICAL REQUIREMENTS:  
CONTROLLER 120V;  
SOLENOIDS 24VAC; FACTORY WIRED
4. AIR SUPPLY REQUIRED: 2 CFM @ 70 PSIG (MIN.).
5. MEDIA REQUIREMENT PER TANK:  
A. 1/2"x3/4" CRUSHED ROCK: 2.5 CU. FT. .  
B. 0.47mm CRUSHED SILICA SAND: 7.0 CU. FT. .
6. WEIGHTS: (APPROX.)  
EQUIPMENT: 1,160 LBS (LESS MEDIA)  
MEDIA: 2,850 LBS  
OPERATION: 5,200 LBS



SECTION A-A



3/4" DIA. HOLE CENTERED ON BOTTOM PAD, 4 PLCS. (FOR 1/2" ANCHOR BOLTS)

THIS DRAWING, INCLUDING THE INFORMATION IT CONTAINS, IS CONFIDENTIAL, PROPRIETARY AND IS THE PROPERTY OF YARNEY WATER MANAGEMENT, INC. IT IS SUBMITTED ONLY IN CONNECTION WITH THE TRANSACTION TO WHICH IT PERTAINS AND MUST NOT BE USED IN ANY OTHER MANNER DETRIMENTAL TO THE INTERESTS OF YARNEY WATER MANAGEMENT. THE DRAWING IS NOT TO BE COPIED AND MUST BE RETURNED UPON REQUEST. COPYRIGHT YARNEY WATER MANAGEMENT SYSTEMS, 1993



DO NOT SCALE DWG.

APPROVALS			DATE	SIZE	DRAWING NO.	REV.
BY	DATE	APP.	DATE			
J	WELD TABS ON MANWAY RINGS	DTG	8-18	APP	D	D
C	ADDED 4" DRAIN PORT	DTG	11-09	APP		
B	CORRECTED GPM FLOW RATES	DTG	10-09	APP		
A	STANDARDIZED NOTES	DTG	9-09	APP	SCALE	1" = 1'-0"
SYM	REVISIONS	BY	DATE	APP.	SCALE	1" = 1'-0"

IL 3024-3A  
FILTER SYSTEM

9500302403  
SYSTEM-IL SHEET 1 OF 1