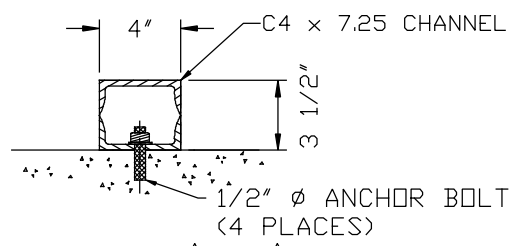
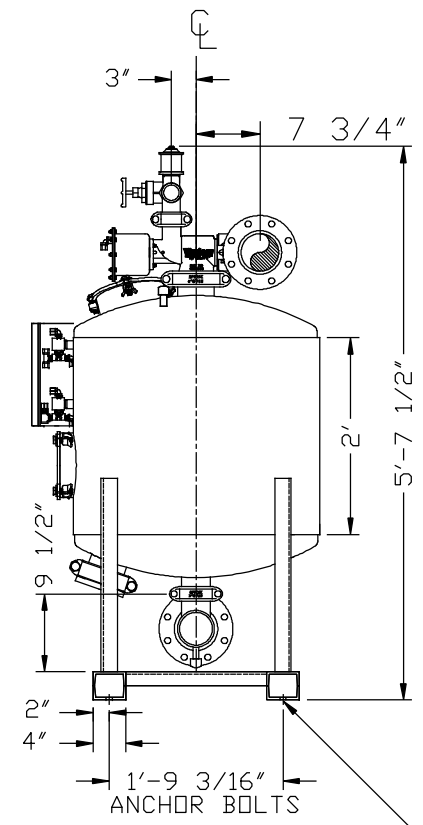
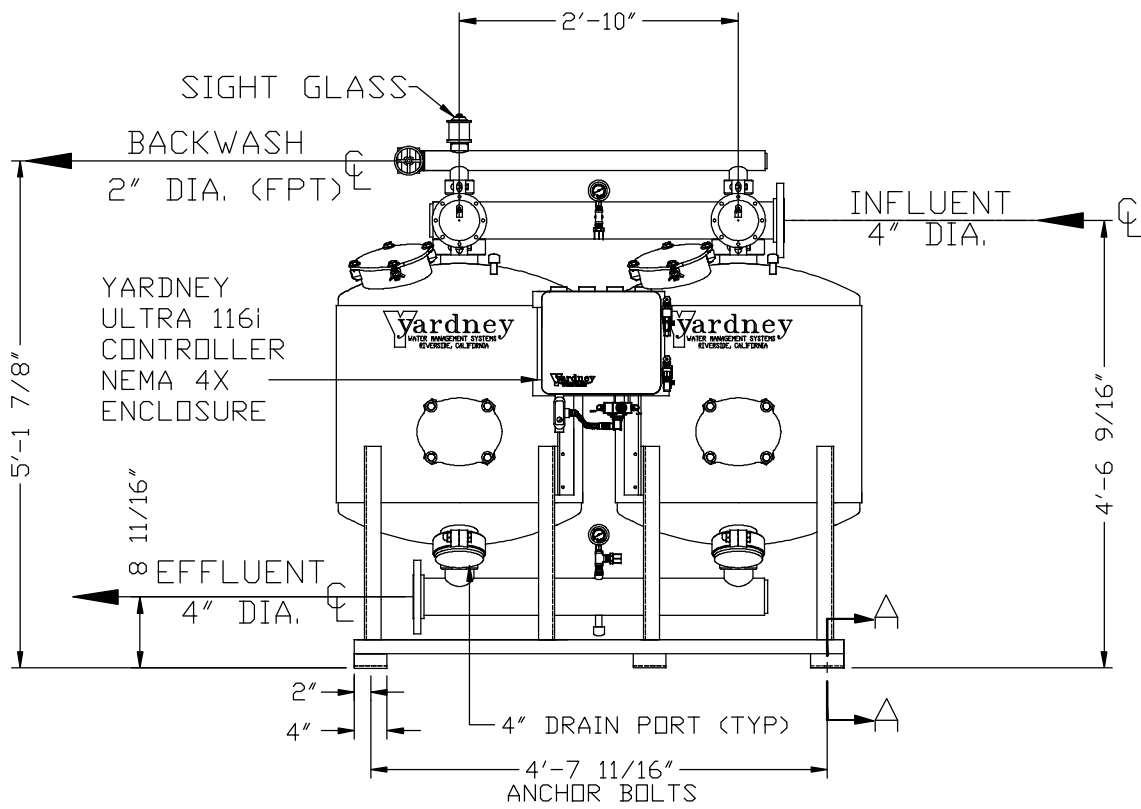
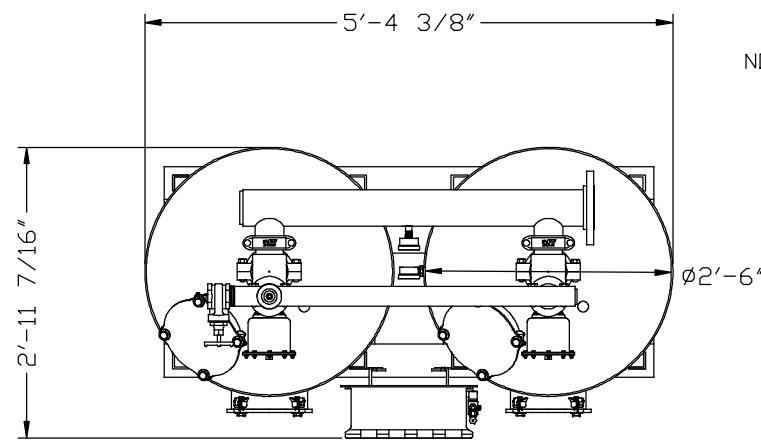


IL 3024-2A

NOTES:

1. FLOW RATE DESIGN: 98-147 GPM.
BACKWASH RATE: 15 GPM/FT².
2. MAXIMUM WORKING PRESSURE: 100 PSI.
3. ELECTRICAL REQUIREMENTS:
CONTROLLER 120V;
SOLENOIDS 24VAC; FACTORY WIRED
4. AIR SUPPLY REQUIRED: 2 CFM @ 70 PSIG (MIN).
5. MEDIA REQUIREMENT PER TANK:
A. 1/2"x3/4" CRUSHED ROCK: 2.5 CU. FT. .
B. 0.47mm CRUSHED SILICA SAND: 7.0 CU. FT. .
6. WEIGHTS: (APPROX.)
EQUIPMENT: 820 LBS (LESS MEDIA)
MEDIA: 1,925 LBS
OPERATION: 3,500 LBS



3/4" DIA. HOLE CENTERED ON BOTTOM PAD, 4 PLCS. (FOR 1/2" ANCHOR BOLTS)

THIS DRAWING, INCLUDING THE INFORMATION IT CONTAINS, IS CONFIDENTIAL, PROPRIETARY AND IS THE PROPERTY OF YARDNEY WATER MANAGEMENT, INC. IT IS SUBMITTED ONLY IN CONNECTION WITH THE TRANSACTION TO WHICH IT PERTAINS AND MUST NOT BE USED IN ANY OTHER MANNER DETRIMENTAL TO THE INTERESTS OF YARDNEY WATER MANAGEMENT. THE DRAWING IS NOT TO BE COPIED AND MUST BE RETURNED UPON REQUEST. COPYRIGHT, YARDNEY WATER MANAGEMENT SYSTEMS, 1999.

E	WELD TABS ON MANWAY RINGS	DTD	8-12	APP	APPROVALS	DATE	
D	ADDED 4" DRAIN PORT	DTD	11-09	APP	BY: R.A.T.	4/2/93	
C	WITH NEMA 4X ENCLOSURE	DTD	10-08	APP	CHECKED BY:		
B	CORRECTED GPM FLOW RATES	DTC	10-05	APP	APPROVED BY:		
A	STANDARDIZED NOTES	DTC	9-05	APP	ARCHITECTURAL SCALE	NONE	
SYM	REVISIONS	BY	DATE	APP	USED IN		



IL 3024-2A
FILTER SYSTEM

SIZE D DRAWING NO: 9500302402
SCALE: NONE DWG DIR: SYSTEM\IL SHEET 1 OF 1