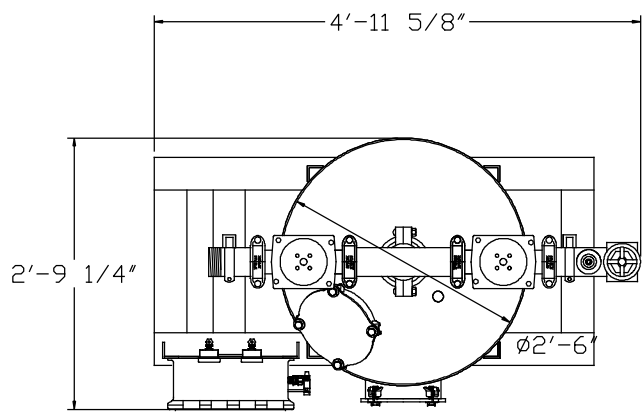


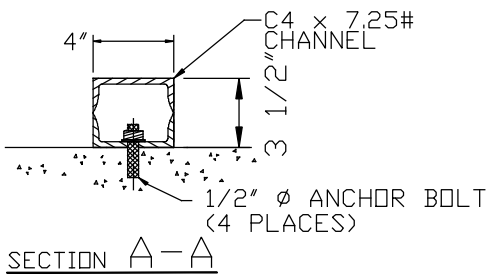
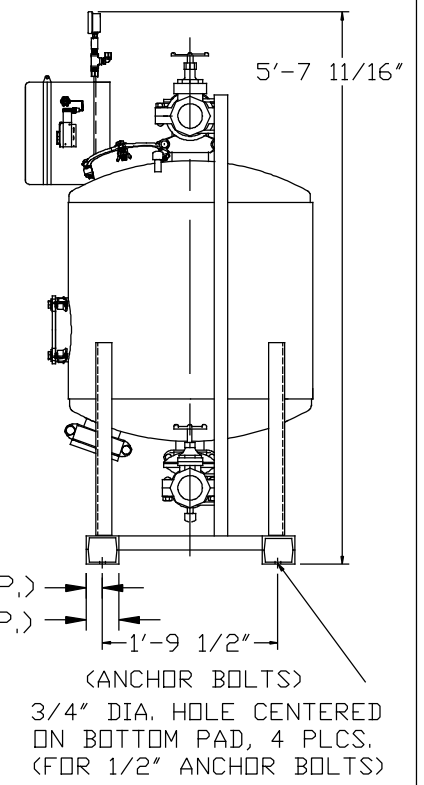
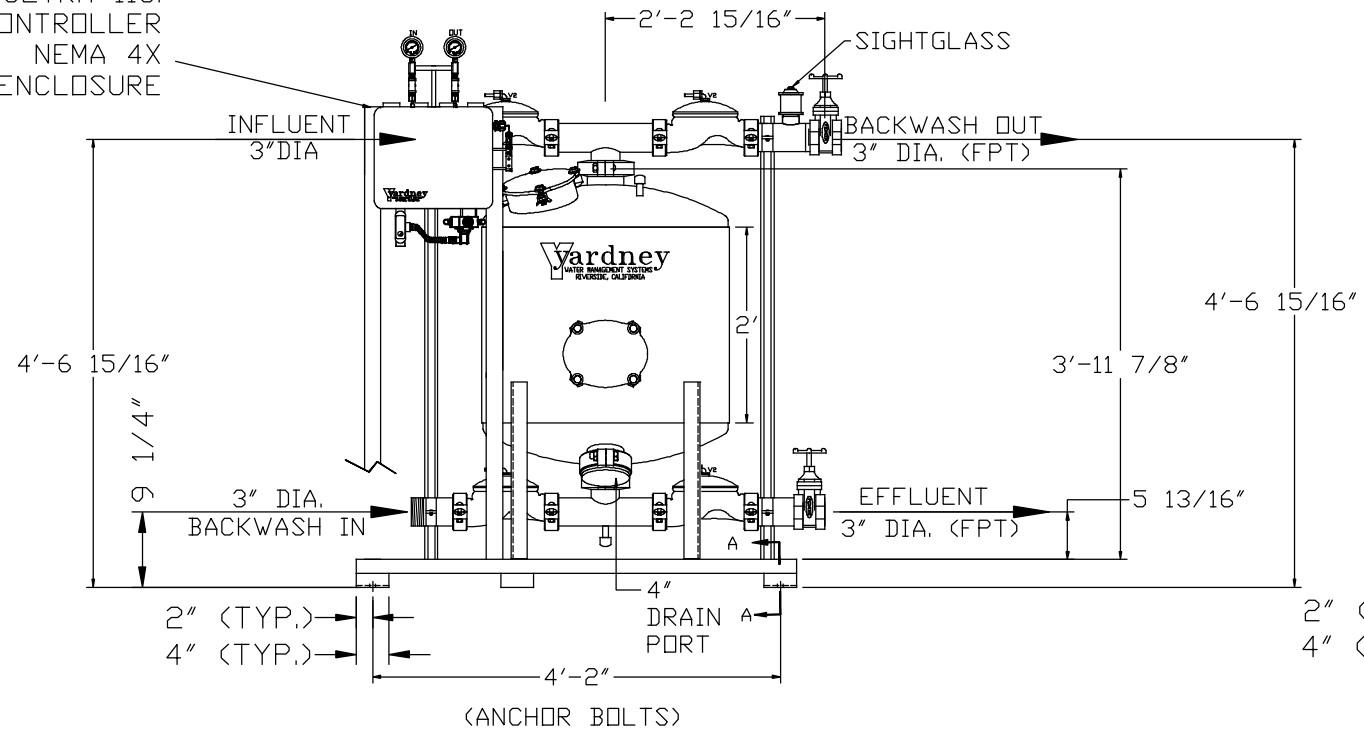
IL 3024-1AS



NOTES:

1. FLOW RATE DESIGN: 49-74 GPM.
BACKWASH RATE: 15 GPM/FT².
2. MAXIMUM WORKING PRESSURE: 100 PSI.
3. ELECTRICAL REQUIREMENTS:
CONTROLLER 120V;
SOLENOIDS 24VAC; FACTORY WIRED
4. AIR SUPPLY REQUIRED: 2 CFM @ 70 PSIG (MIN.).
5. MEDIA REQUIREMENT PER TANK:
A. 1/2"x3/4" CRUSHED ROCK: 2.5 CU. FT. .
B. 0.47mm CRUSHED SILICA SAND: 7.0 CU. FT. .
6. WEIGHTS: (APPROX.)
EQUIPMENT: 560 LBS (LESS MEDIA)
MEDIA: 1,500 LBS
OPERATION: 2,400 LBS

YARDNEY
ULTRA 116i
CONTROLLER
NEMA 4X
ENCLOSURE



THIS DRAWING, INCLUDING THE INFORMATION IT CONTAINS, IS CONFIDENTIAL, PROPRIETARY, AND IS THE PROPERTY OF YARDNEY WATER MANAGEMENT, INC. IT IS SUBMITTED ONLY IN CONNECTION WITH THE TRANSACTION TO WHICH IT PERTAINS AND MUST NOT BE USED IN ANY OTHER MANNER DETRIMENTAL TO THE INTERESTS OF YARDNEY WATER MANAGEMENT. THE DRAWING IS NOT TO BE COPIED AND MUST BE RETURNED UPON REQUEST. COPYRIGHT YARDNEY WATER MANAGEMENT SYSTEMS, 1994.

NO.	REVISION	BY	DATE
E	WELD TABS ON MANWAY RINGS	DTC	8-12
D	ADDED 4' DRAIN PORT	DTC	11-09
C	CORRECTED GPM FLOW RATES	DTC	10-05
B	STANDARDIZED NOTES	DTC	9-05
A	DOROT VALVE LENGTH INCORRECT WAS 9 13/16	DTC	1-05

CUSTOMER:		
USED ON:		
DRAWN BY: DTC	DATE: 9-10-04	IL 3024-1AS FILTER SYSTEM
DRAWING NO: 9500302401	LOCATION: SYSTEMS\IL	
REV: E	SHEET 1 OF 1	