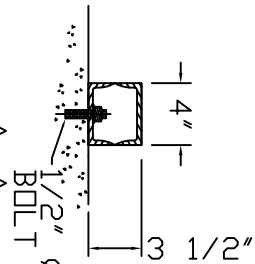
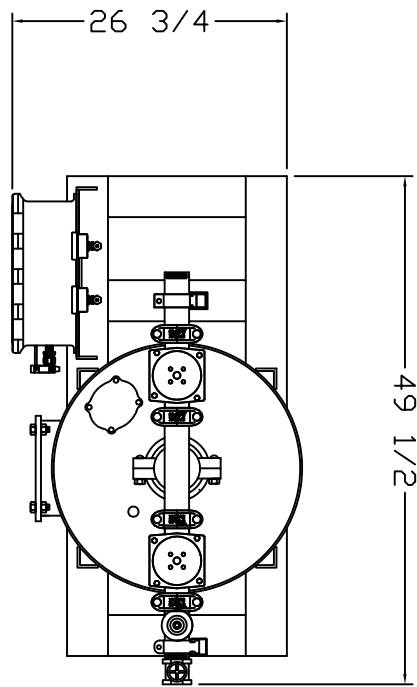


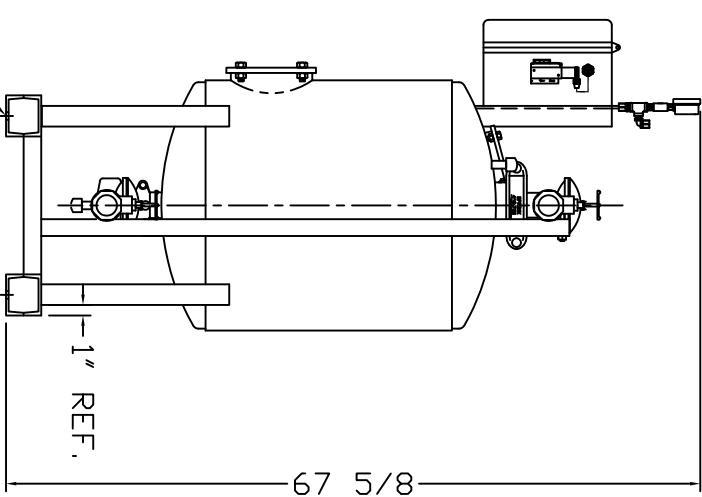
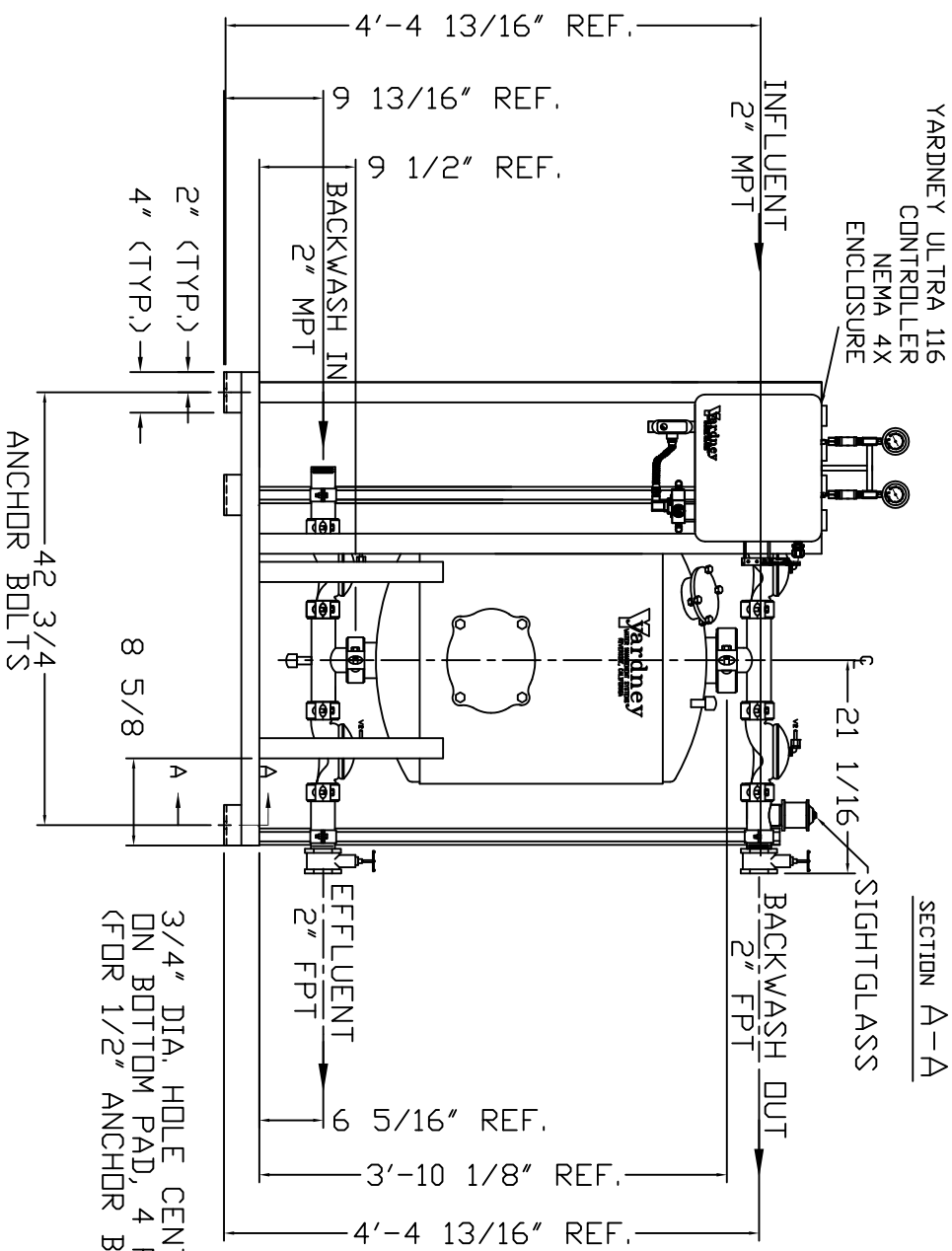
IL 2424-1AS

NOTES:

1. FLOW RATE DESIGN = 32-47 GPM, MAX TD 63 GPM
2. MAXIMUM WORKING PRESSURE - 100 PSI.
3. ELECTRICAL REQUIREMENTS:
 - CONTROLLER 120V,
 - SOLENOIDS 24VAC, FACTORY WIRED
4. AIR SUPPLY REQUIRED: 2 CFM @ 70 PSIG (MIN.).
5. MEDIA REQUIREMENT PER TANK:
 - A. 1/2"x3/4" CRUSHED ROCK - 1.5 CU. FT. .
 - B. 0.47mm CRUSHED SILICA SAND - 4.5 CU. FT. .
6. WEIGHTS: (APPROX)
 - EQUIPMENT - 320 LBS (LESS MEDIA)
 - MEDIA - 650 LBS
 - OPERATION - 1,200 LBS
7. FLANGED INFLUENT-EFFLUENT AVAILABLE, CONSULT FACTORY.



SECTION A-A



3/4" DIA. HOLE CENTERED ON BOTTOM PAD, 4 PLCS. (FOR 1/2" ANCHOR BOLTS)

THIS DRAWING, INCLUDING THE INFORMATION IT CONTAINS, IS CONFIDENTIAL PROPERTY OF YARDNEY WATER MANAGEMENT SYSTEMS, INC. AND IS THE PROPERTY OF YARDNEY WATER MANAGEMENT SYSTEMS, INC. IT IS TO BE USED ONLY FOR THE PROJECT AND NOT BE REPRODUCED OR TRANSMITTED IN ANY FORM OR BY ANY MEANS, ELECTRONIC OR MECHANICAL, INCLUDING PHOTOCOPYING, RECORDING, OR BY ANY INFORMATION STORAGE AND RETRIEVAL SYSTEM, WITHOUT THE WRITTEN PERMISSION OF YARDNEY WATER MANAGEMENT SYSTEMS, INC.		APPROVALS DATE DESIGNED BY: JTC/2004 CHECKED BY: JTC/2004 DRAWN BY: JTC/2004	
CORRECTED GPM FLOW RATES STANDARD NOTES REVISIONS		YARDNEY WATER MANAGEMENT SYSTEMS IL 2424-1AS FILTER SYSTEM 9500242401	
SYN	REV	DATE	BY
	1		JTC