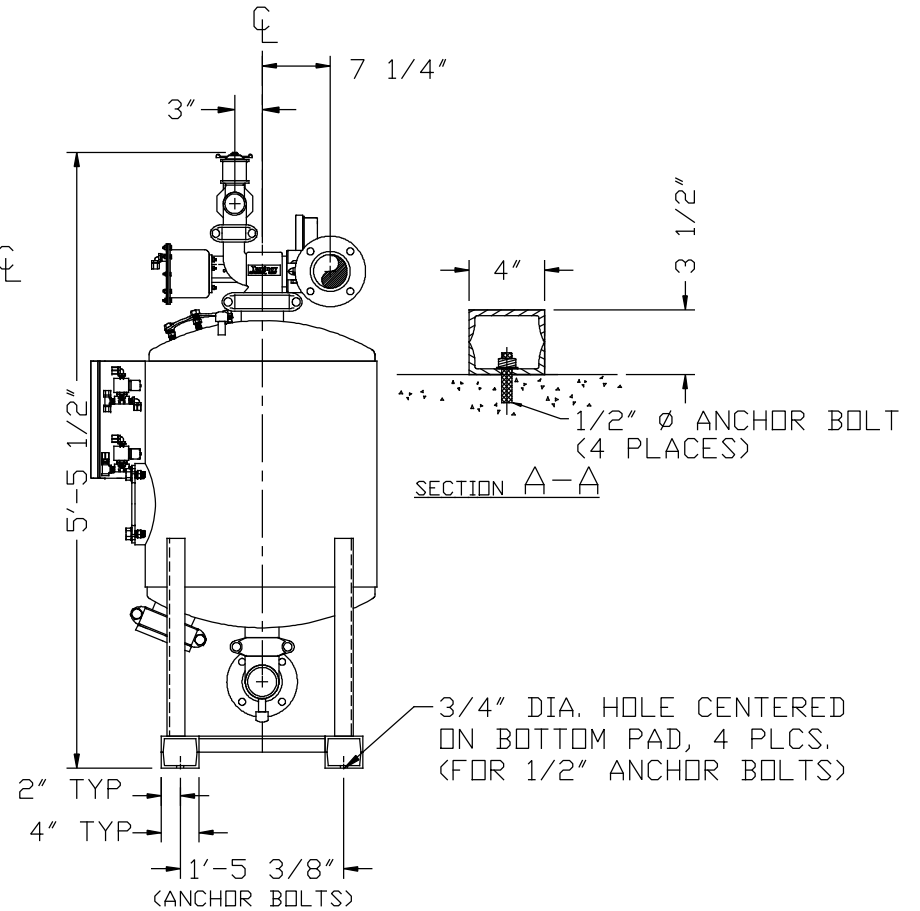
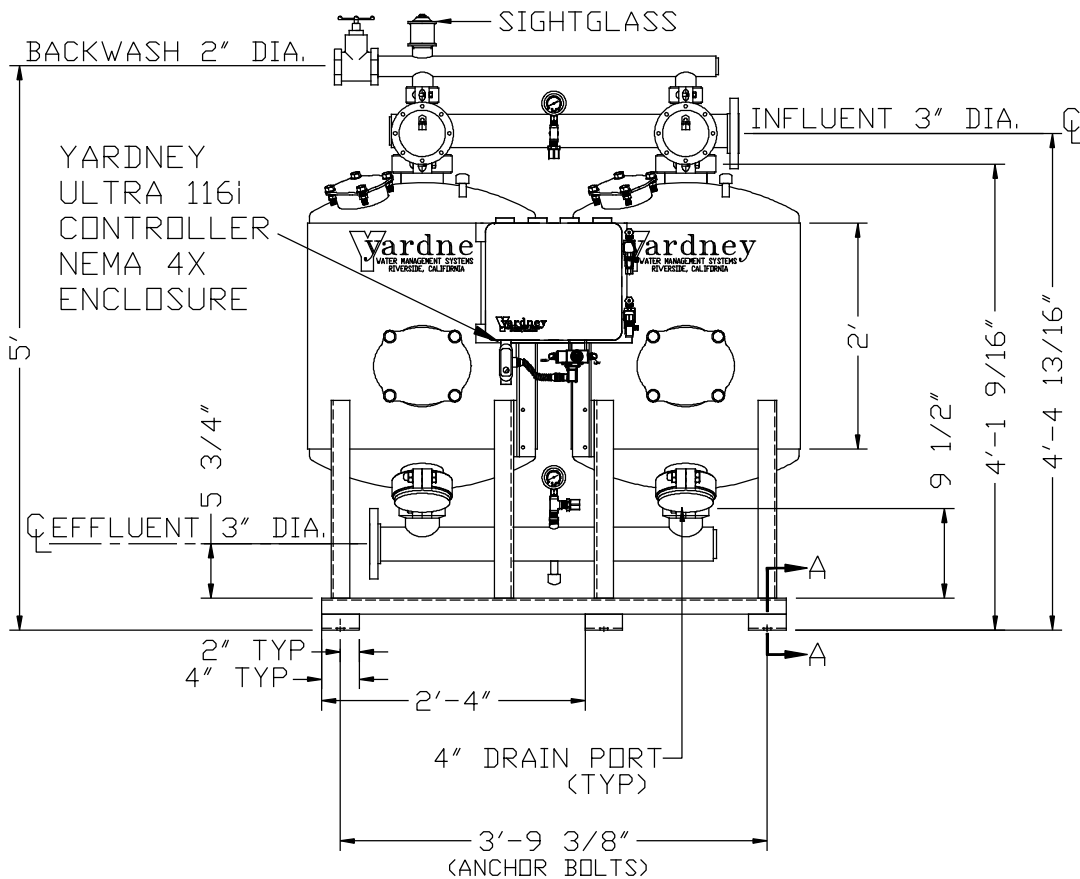
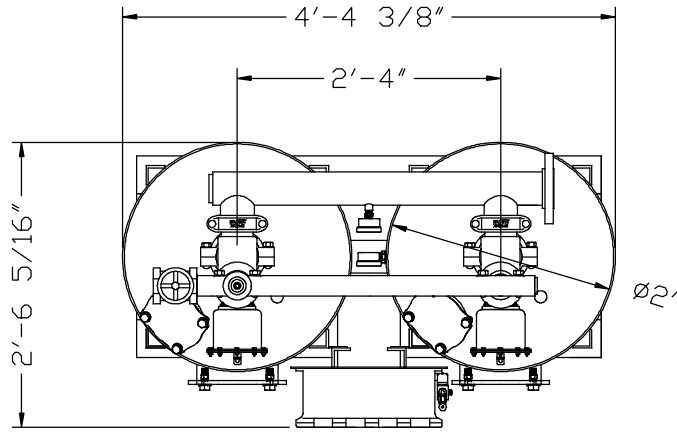


IL 2424-2A

NOTES:

1. FLOW RATE DESIGN: 63-95 GPM.
BACKWASH RATE: 15 GPM/FT².
2. MAXIMUM WORKING PRESSURE: 100 PSI.
3. ELECTRICAL REQUIREMENTS:
CONTROLLER 120V;
SOLENOIDS 24VAC; FACTORY WIRED
4. AIR SUPPLY REQUIRED: 2 CFM @ 70 PSIG (MIN.).
5. MEDIA REQUIREMENT PER TANK:
A. 1/2"x3/4" CRUSHED ROCK: 1.5 CU. FT.,
B. 0.47mm CRUSHED SILICA SAND: 4.5 CU. FT.,
6. WEIGHTS: (APPROX.)
EQUIPMENT: 590 LBS (LESS MEDIA)
MEDIA: 1,200 LBS
OPERATION: 2,300 LBS



THIS DRAWING, INCLUDING THE INFORMATION IT CONTAINS, IS CONFIDENTIAL, PROPRIETARY, AND IS THE PROPERTY OF YARDNEY WATER MANAGEMENT, INC. IT IS SUBMITTED ONLY IN CONNECTION WITH THE TRANSACTION TO WHICH IT PERTAINS AND MUST NOT BE USED IN ANY OTHER MANNER DETRIMENTAL TO THE INTERESTS OF YARDNEY WATER MANAGEMENT. THE DRAWING IS NOT TO BE COPIED AND MUST BE RETURNED UPON REQUEST. COPYRIGHT YARDNEY WATER MANAGEMENT SYSTEMS, 1994.			DO NOT SCALE DWG.		
Yardney WATER MANAGEMENT SYSTEMS RIVERSIDE, CALIFORNIA			IL 2424-2A FILTER SYSTEM		
APPROVALS DATE: DRAWN BY: K.A.T. 10/1/97			SIZE: DRAWING NO: 9500242402 REV: D		
C ADDED SIGHTGLASS DTD 11-09 APP			SCALE: NONE		
D ADDED 4\"/>					