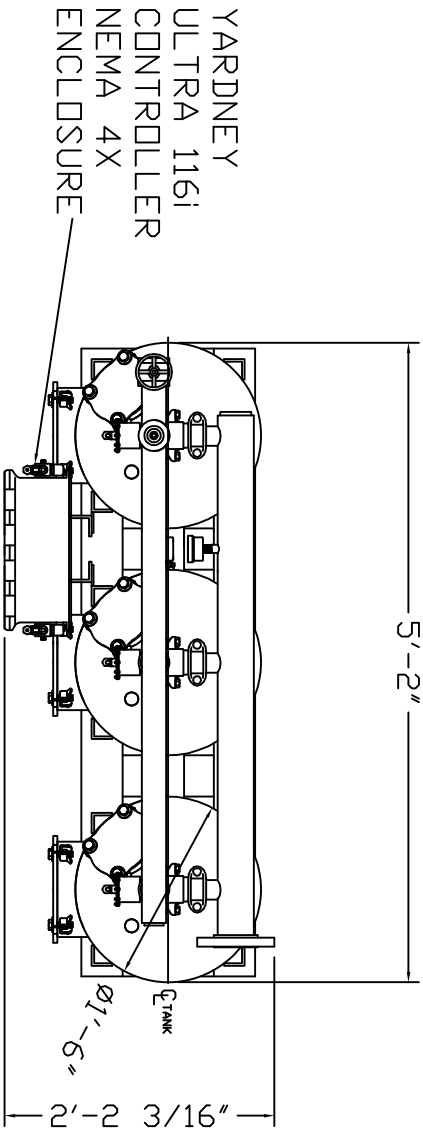
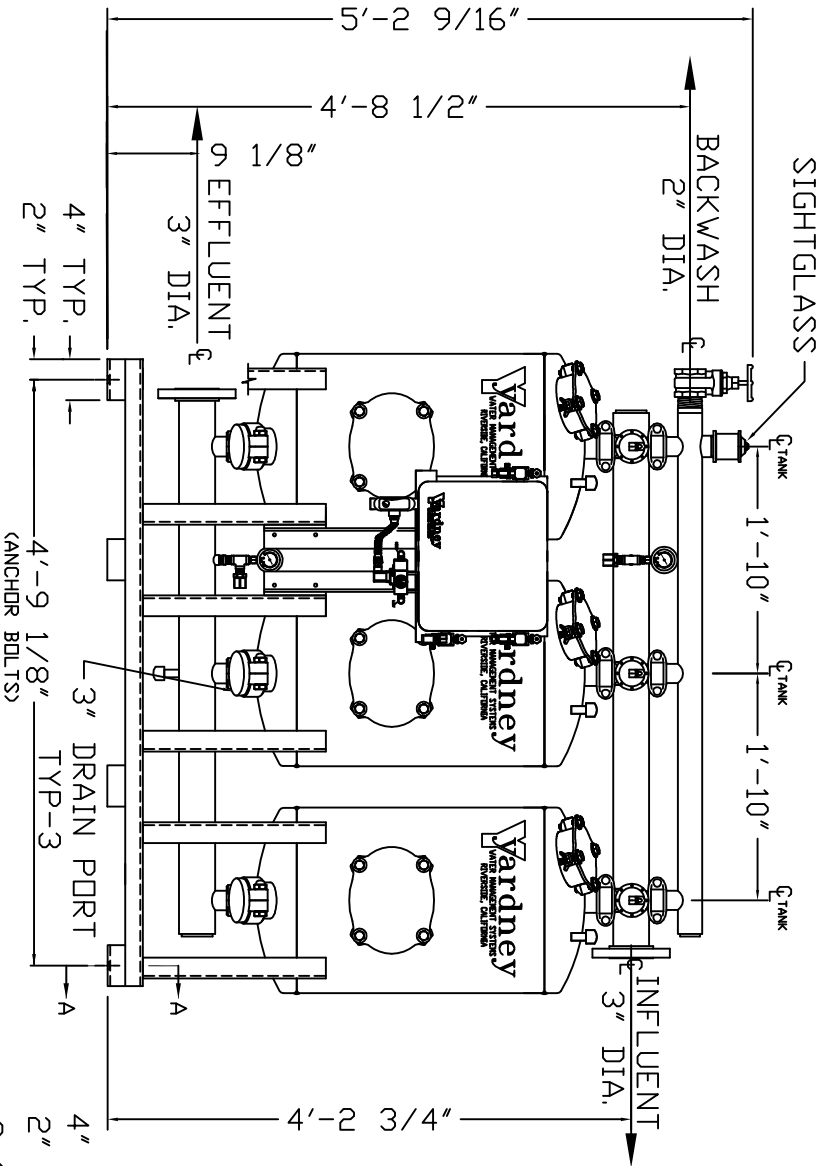


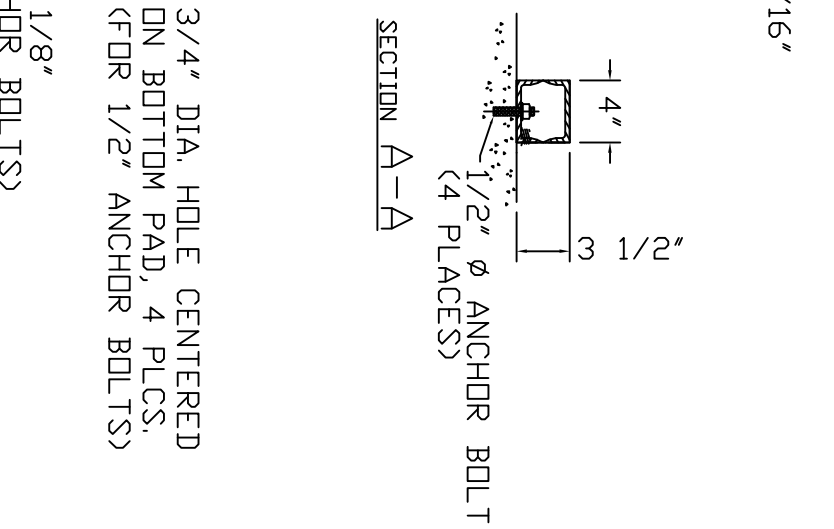
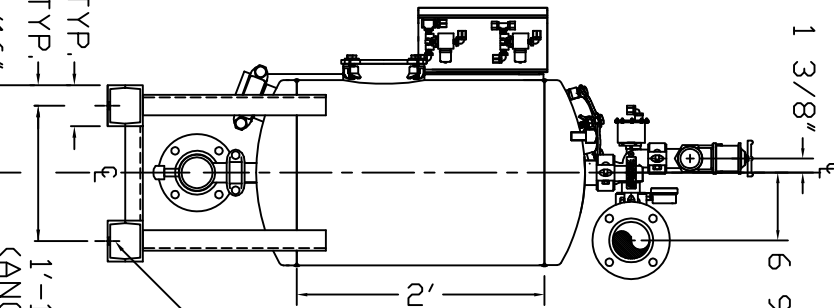
IL 1824-3A



YARDNEY
ULTRA 1161
CONTROLLER
NEMA 4X
ENCLOSURE



- NOTES:
1. FLOW RATE DESIGN: 53-79 GPM.
BACKWASH RATE: 15 GPM/FT².
 2. MAXIMUM WORKING PRESSURE: 100 PSI.
 3. ELECTRICAL REQUIREMENTS:
CONTROLLER 120V,
SOLENOIDS 24VAC, FACTORY WIRED
 4. AIR SUPPLY REQUIRED: 2 CFM @ 70 PSIG (MIN).
 5. MEDIA REQUIREMENT PER TANK:
A. 1/2" x 3/4" CRUSHED ROCK;
B. 0.47mm CRUSHED SILICA SAND; 1.0 CU. FT.,
2.5 CU. FT..
 6. WEIGHTS: (APPROX.)
EQUIPMENT: 670 LBS (LESS MEDIA)
MEDIA: 1,100 LBS
OPERATION: 2,250 LBS



THIS DRAWING, INCLUDING THE INFORMATION IT CONTAINS, IS CONFIDENTIAL, PROPRIETARY, AND IS THE PROPERTY OF YARDNEY WATER MANAGEMENT SYSTEMS. IT IS NOT TO BE REPRODUCED, COPIED, OR TRANSMITTED IN ANY MANNER WITHOUT THE WRITTEN PERMISSION OF YARDNEY WATER MANAGEMENT SYSTEMS. ANY UNAUTHORIZED USE OF THIS INFORMATION IS STRICTLY PROHIBITED AND WILL BE LEGALLY PROSECUTED TO THE FULL EXTENT OF THE LAW.		DO NOT SCALE DWG	
D	WELD TABS ON MANWAY RINGS	010-12-02	1/28/02
C	ADDED 3" DRAIN PORT	010-11-09	1/28/02
B	CORRECTED GPM FLOW RATES	010-10-03	1/28/02
A	STANDARDIZED NOTES	010-1-05	1/28/02
REV	REVISIONS	BY	DATE
APPROVALS DATE			
DESIGNED BY: [Signature]		CHECKED BY: [Signature]	
DRAWN BY: [Signature]		REVIEWED BY: [Signature]	
PROJECT NO: IL 1824-3A		DATE: [Date]	
SIZE: DRAWING NO: 9500182403		REV: D	
SYSTEM: [System Name]		SHEET 1 OF 1	