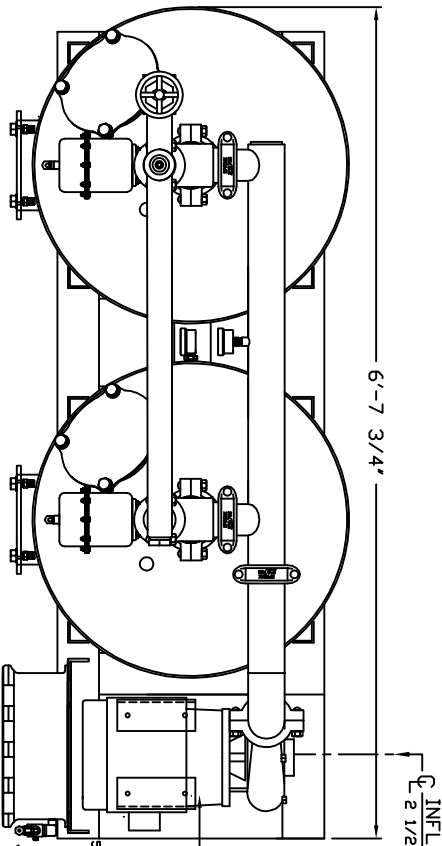
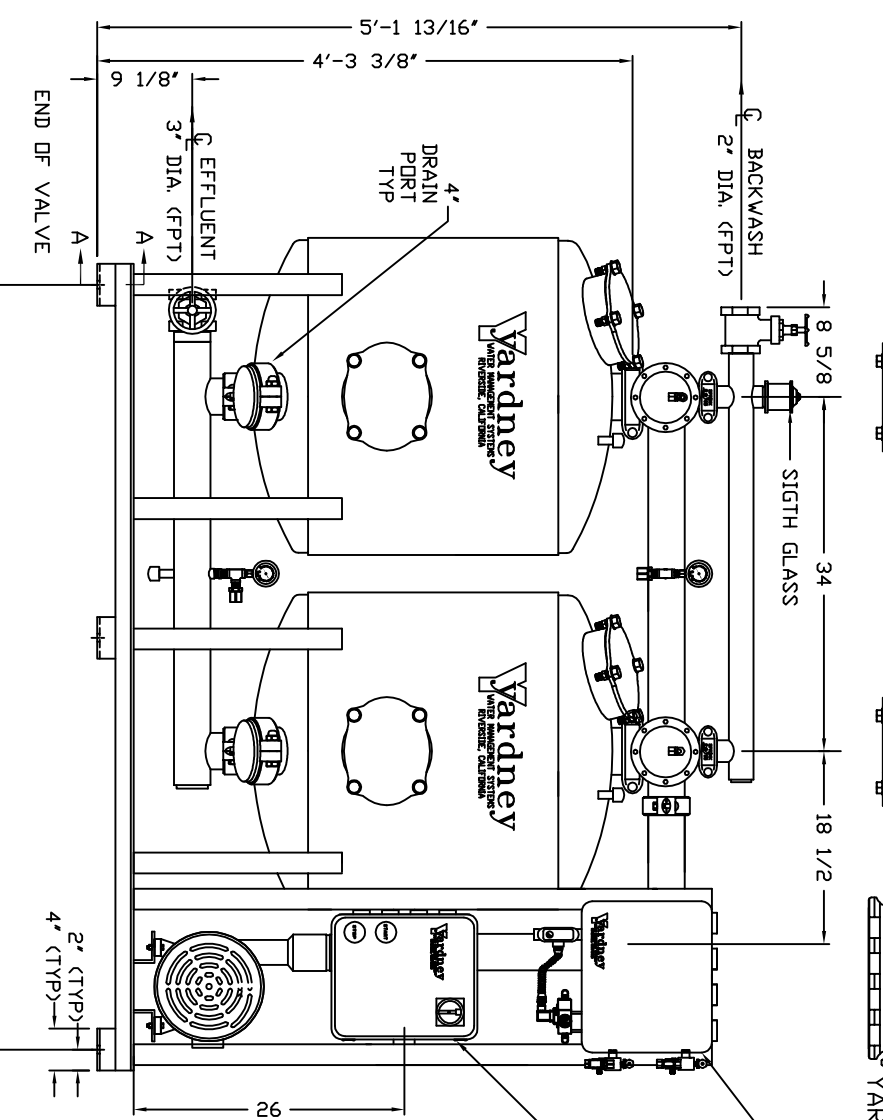
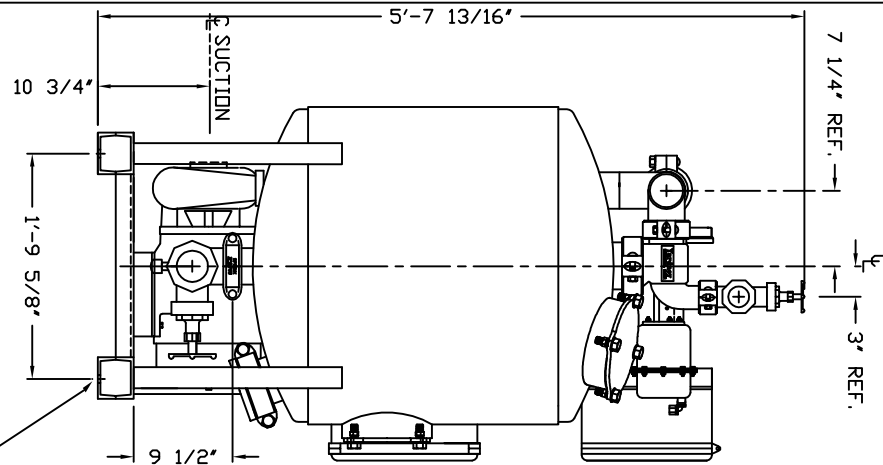


NOTES:

1. FLOW RATE DESIGN: 200 GPM @ 40 PSI.
2. MAXIMUM WORKING PRESSURE: 100 PSI.
3. ELECTRICAL REQUIREMENTS:
7.5 HP TEFC MOTOR 460V, 3 PHASE, 60 HZ
CONTROLLER 120V, FACTORY WIRED TO OPT.
SOLENOIDS 24VAC, FACTORY WIRED
4. AIR SUPPLY REQUIREMENT: 2 CFM @ 70 PSIG (MIN.).
5. MEDIA REQUIREMENT PER TANK:
A. 1/2"x3/4" CRUSHED RDCK: 2.5 CU. FT.
B. 0.47mm CRUSHED SILICA SAND: 7.0 CU. FT.
6. WEIGHTS: (APPROX)
A. EQUIPMENT: 2,860 LBS (WITH MEDIA)
B. OPERATION: 3,730 LBS



RCW 3024-2A



NEMA 4X
ENCLOSURE
MANUAL
STARTER &
DISCONNECT

REV	DESCRIPTION	DATE	BY
B	ADDED 4" DRAIN PORT	01/11/09	JMP
C	STANDARDIZED NOTES	01/13/09	JMP
A	ADJUSTED TO HAVE CLEARANCE FOR PUMP	01/13/09	JMP
1	NEW STANDARD GRADED AUTO STARTER & DISCONNECT	01/13/09	JMP
01A	REVISED		JMP

THIS DRAWING, INCLUDING THE INFORMATION IT CONTAINS, IS CONFIDENTIAL AND PROPRIETARY TO YARDNEY. IT IS TO BE KEPT IN CONFIDENCE AND NOT REPRODUCED OR TRANSMITTED IN ANY FORM OR BY ANY MEANS, ELECTRONIC, MECHANICAL, PHOTOCOPYING, RECORDING, OR BY ANY INFORMATION STORAGE AND RETRIEVAL SYSTEM, WITHOUT THE WRITTEN PERMISSION OF YARDNEY. THE DRAWING IS NOT TO BE COPIED OR REPRODUCED IN ANY MANNER WITHOUT THE WRITTEN PERMISSION OF YARDNEY. YARDNEY WATER MANAGEMENT SYSTEMS, 1994.

Yardney
WATER MANAGEMENT SYSTEMS

APPROVALS: NAME: RCW 3024-2A
DRAWN BY: JDB
CHECKED BY: JDB
DESIGNED BY: JDB
DATE: 01/13/09
SCALE: 2"=1'
SHEET NO: 1 OF 1
PROJECT NO: 9725030242
SYSTEM: RCW 3024-2A
REV: D

DO NOT SCALE DIMS.