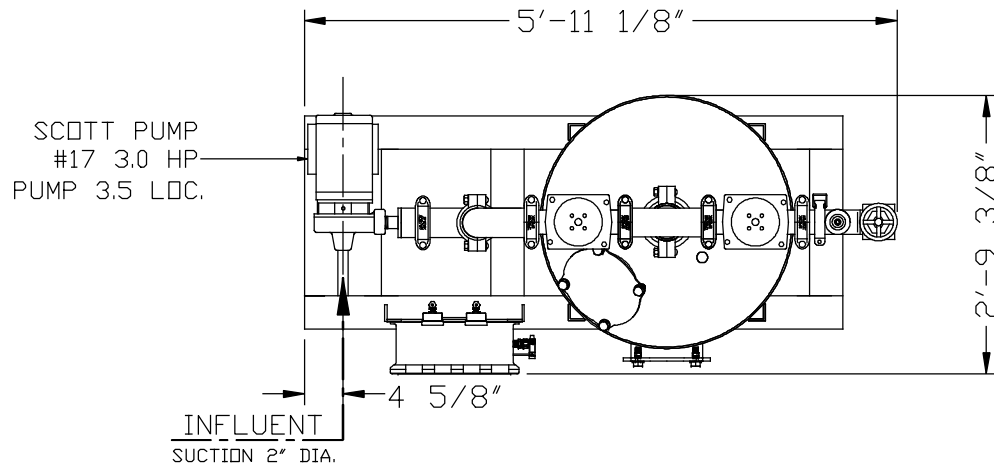
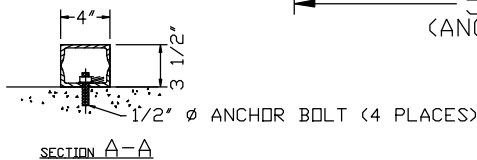
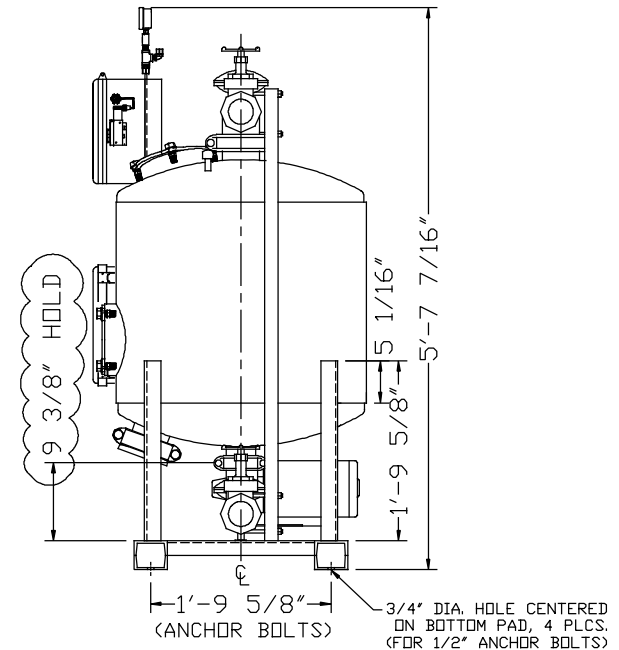
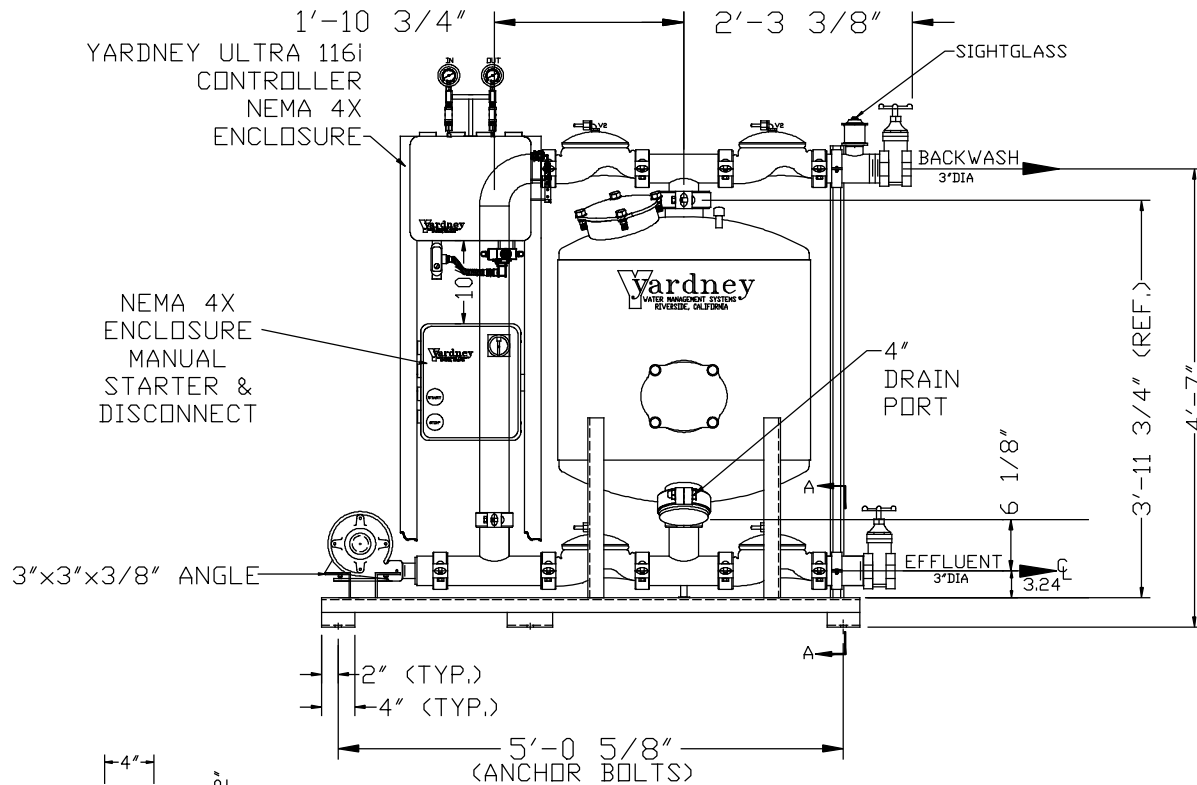


RCW 3024-1A



NOTES:

1. FLOW RATE DESIGN: 100 GPM. @ 22 PSI.
2. MAXIMUM WORKING PRESSURE: 100 PSI.
3. ELECTRICAL REQUIREMENTS:
3.0 HP TEFC MOTOR 460V, 3 PHASE, 60 HZ.
CONTROLLER 120V; FACTORY WIRED TO 460 V TRANSFORMER.
SOLENOIDS 24VAC; FACTORY WIRED
4. AIR SUPPLY REQUIRED: 2 CFM @ 70 PSIG (MIN.).
5. MEDIA REQUIREMENT PER TANK:
A. 1/2"x3/4" CRUSHED ROCK: 2.5 CU. FT. .
B. 0.47mm CRUSHED SILICA SAND: 7.0 CU. FT. .
6. WEIGHTS: (APPROX.)
EQUIPMENT: 1,630 LBS (LESS MEDIA)
OPERATION: 2,000 LBS



| | | | | | | | |
|--------------------------------------------------------------------------------------------------------------------------------------------------------------------------------------------------------------------------------------------------------------------------------------------------------------------------------------------------------------------------------------------------------------------------------------------------------------|-------------------------------------------------------------------------------------------------------------------------------------------------------------------------------------|----------------------------------------|-----------------------------------------|----------------------------------------|----------------------------------------------------------------------------------------------------------------|------------------------------------------------------------------------------------------------------|--------------------|
| <small>THIS DRAWING, INCLUDING THE INFORMATION IT CONTAINS, IS CONFIDENTIAL, PROPRIETARY, AND IS THE PROPERTY OF YARDNEY WATER MANAGEMENT, INC. IT IS SUBMITTED ONLY IN CONNECTION WITH THE TRANSACTION TO WHICH IT PERTAINS AND MUST NOT BE USED IN ANY OTHER MANNER DETRIMENTAL TO THE INTERESTS OF YARDNEY WATER MANAGEMENT. THE DRAWING IS NOT TO BE COPIED AND MUST BE RETURNED UPON REQUEST. COPYRIGHT YARDNEY WATER MANAGEMENT SYSTEMS, 1994.</small> | | | | | | | |
| G F E D C SYM | ADDED 4" DRAIN PORT ADDED SIGHTGLASS MOTOR DIM WAS 4.5 INCORRECT UPDATED TO 3.5 DOROT VALVE LENGTH INCORRECT WAS 9 13/16 CHANGE ANGLE IRON FROM 3X3 TO 2X2 REVISIONS | DTD DTC DTC DTC BY DATE | 11-09 10-07 05-05 1-05 9-04 | APP APP APP APP APP APP | APPROVALS DATE DRAWN BY CHECKED BY APPROVED BY ARCHITECTURAL SCALE DWG DIR DATE APP | RCW 3024-1A SINGLE TANK SYSTEM SIZE DRAWING NO. D 9725030241 SCALE: - DWG DIR: \SYSTEM\RCW\ | REV G 1 OF 1 |