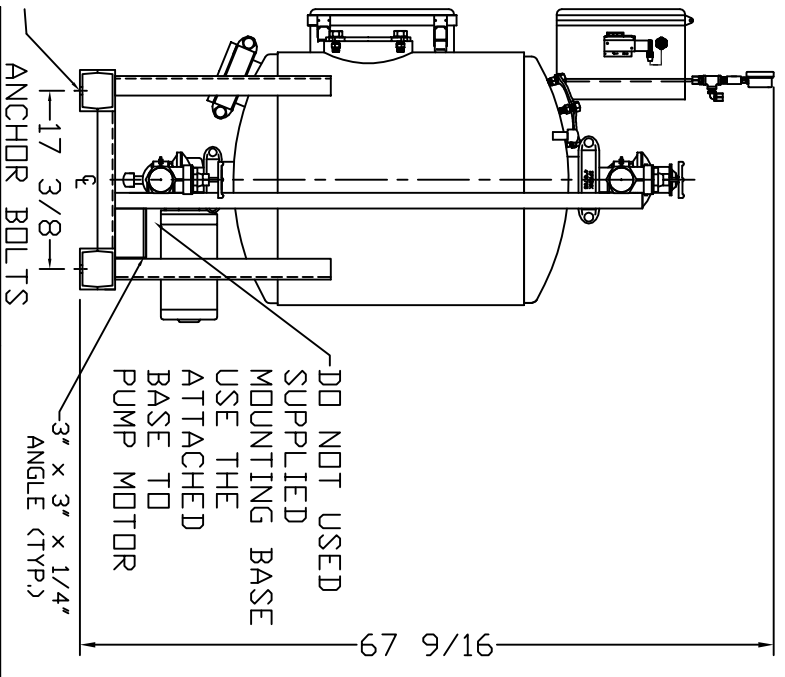
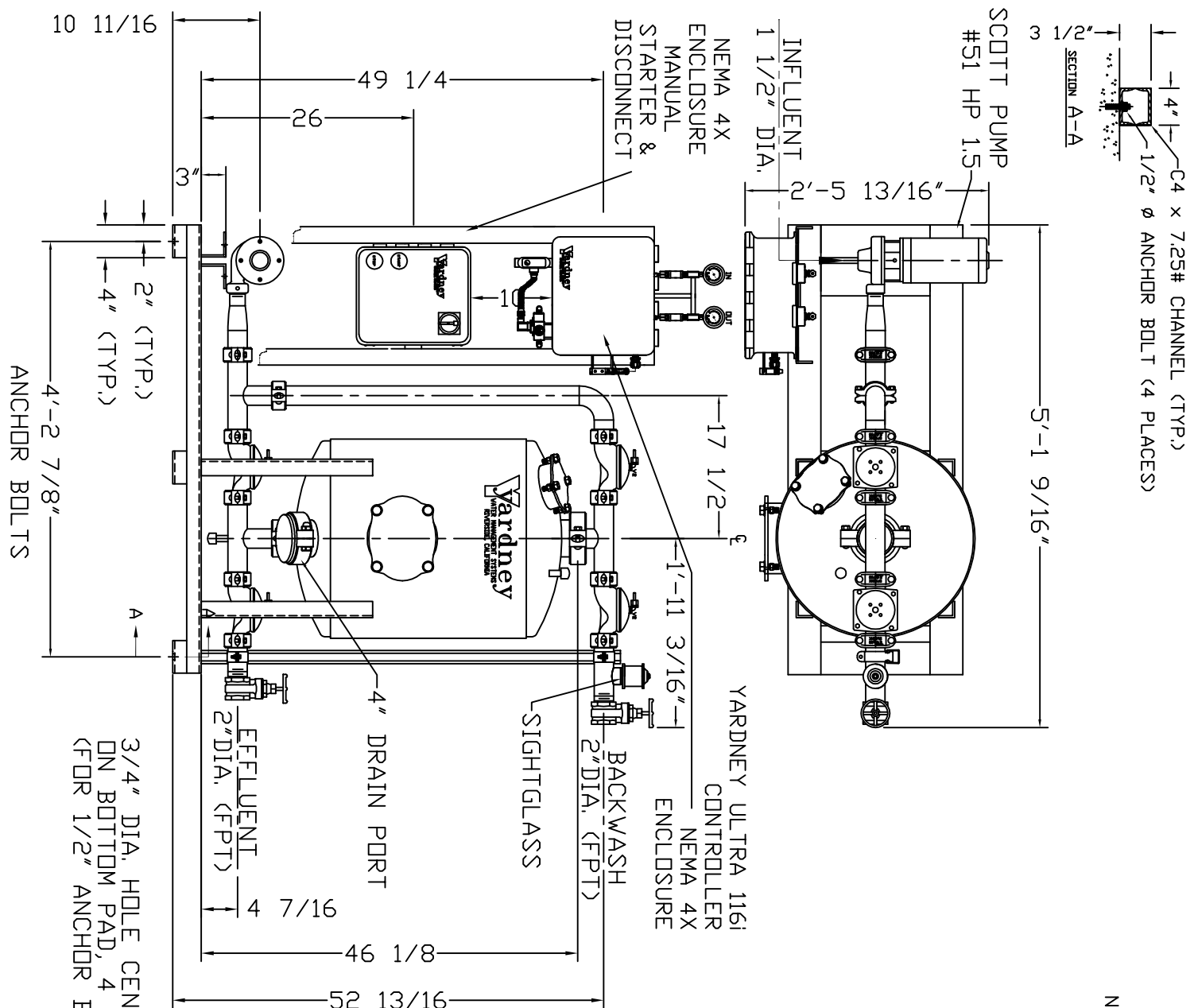


RCW 2424-1A

NOTES:

1. FLOW RATE DESIGN: 63 GPM @ 22 PSI.
2. MAXIMUM WORKING PRESSURE: 40 PSI.
3. ELECTRICAL REQUIREMENTS:
1-1/2 HP TEFC MOTOR 460V, 3 PHASE
CONTROLLER 120V, FACTORY WIRE 1-PHASE
SOLENOIDS 24VAC, FACTORY WIRE
4. AIR SUPPLY REQUIRED: 2 CFM @ 70 PSIG (MIN.).
5. MEDIA REQUIREMENT PER TANK:
A. 1/2"x3/4" CRUSHED ROCK: 15 CU. FT.
B. #20 SILICA SAND: 4.5 CU. FT.
6. WEIGHTS: (APPROX)
EQUIPMENT: 580 LBS (LESS MEDIA)
MEDIA: 1,180 LBS
OPERATION: 1,450 LBS



3/4" DIA. HOLE CENTERED ON BOTTOM PAD, 4 PLCS. (FOR 1/2" ANCHOR BOLTS)

DO NOT USE SUPPLIED MOUNTING BASE USE THE ATTACHED BASE TO PUMP MOTOR

<p>THIS DRAWING, INCLUDING THE NAME OF THE COMPANY, IS THE PROPERTY OF YARDNEY WATER MANAGEMENT SYSTEMS, INC. IT IS SUBMITTED IN CONNECTION WITH A CONTRACT AND IS NOT TO BE REPRODUCED OR TRANSMITTED IN ANY FORM OR BY ANY MEANS, ELECTRONIC OR MECHANICAL, INCLUDING PHOTOCOPYING, RECORDING, OR BY ANY INFORMATION STORAGE AND RETRIEVAL SYSTEM, WITHOUT THE WRITTEN PERMISSION OF YARDNEY WATER MANAGEMENT SYSTEMS, INC.</p>				
A	DESIGN	DATE	APPROVALS	DATE
B	REVISION	DATE	APPROVALS	DATE
C	REVISION	DATE	APPROVALS	DATE
D	REVISION	DATE	APPROVALS	DATE
E	REVISION	DATE	APPROVALS	DATE

Yardney
WATER MANAGEMENT SYSTEMS, INC.
RCW 2424-1A
FILTER SYSTEM
D 9 25024241 E
REV 1 1