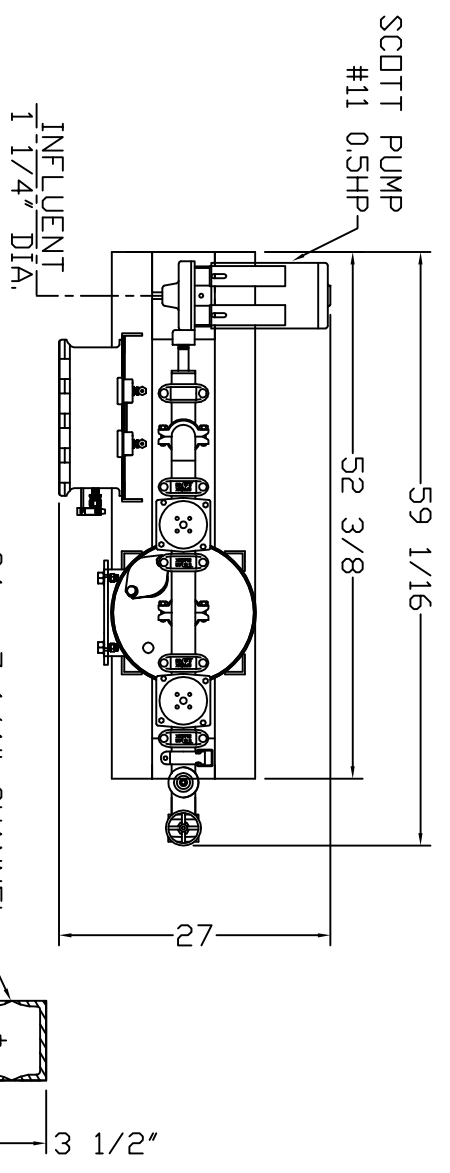
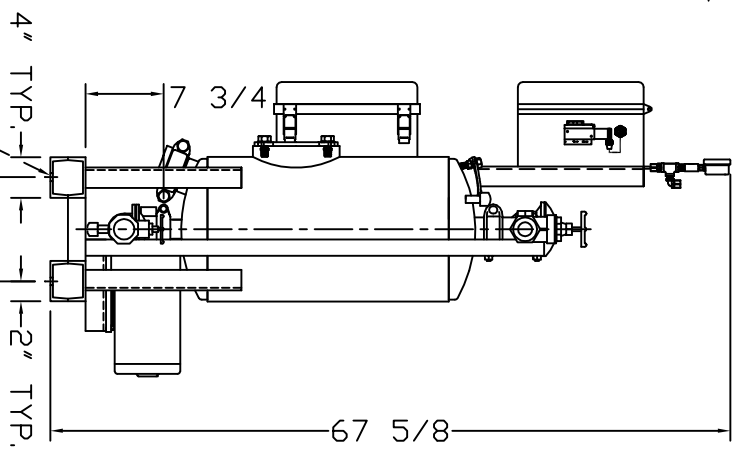
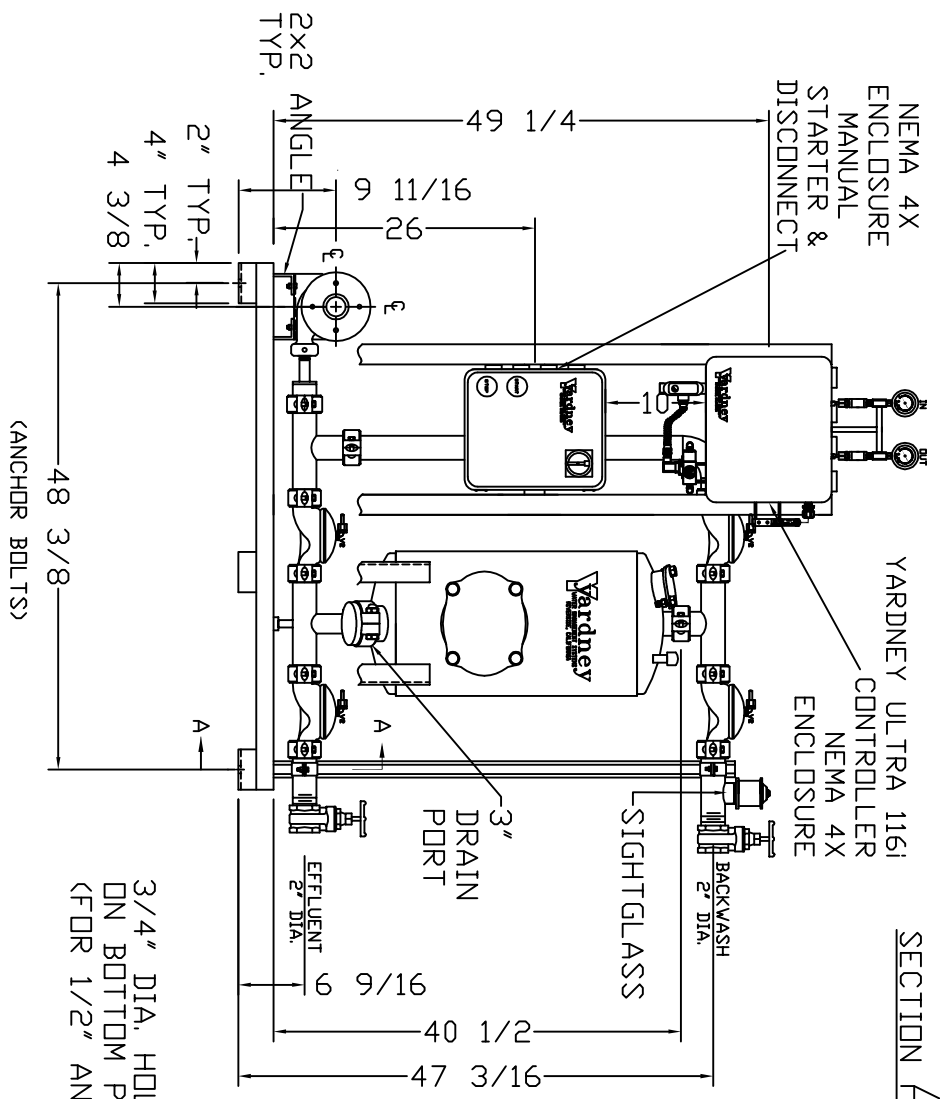


RCW 1424-1A



- NOTES:
1. FLOW RATE DESIGN: 20 GPM. @ 22 PSI.
 2. MAXIMUM WORKING PRESSURE: 100 PSI.
 3. ELECTRICAL REQUIREMENTS:
1/2 HP TEFC MOTOR 460V, 3 PHASE
CONTROLLER 120V; FACTORY WIRE
SOLENOIDS 24VAC; FACTORY WIRE
 4. AIR SUPPLY REQUIRED: 2 CFM @ 70 PSIG (MIN).
 5. MEDIA REQUIREMENT PER TANK:
A. 1/2"x3/4" CRUSHED ROCK: 0.34 CU. FT.
B. #20 SILICA SAND: 1.5 CU. FT.
 6. WEIGHTS: (APPROX.)
EQUIPMENT: 725 LBS (LESS MEDIA)
OPERATION: 810 LBS



| REV | DATE | BY | REVISIONS |
|-----|----------|-----|-----------------|
| 1 | 01/11/01 | WAL | REVISED OUTLINE |
| 2 | 01/11/01 | WAL | REVISED OUTLINE |
| 3 | 01/11/01 | WAL | REVISED OUTLINE |
| 4 | 01/11/01 | WAL | REVISED OUTLINE |
| 5 | 01/11/01 | WAL | REVISED OUTLINE |
| 6 | 01/11/01 | WAL | REVISED OUTLINE |
| 7 | 01/11/01 | WAL | REVISED OUTLINE |
| 8 | 01/11/01 | WAL | REVISED OUTLINE |
| 9 | 01/11/01 | WAL | REVISED OUTLINE |
| 10 | 01/11/01 | WAL | REVISED OUTLINE |
| 11 | 01/11/01 | WAL | REVISED OUTLINE |
| 12 | 01/11/01 | WAL | REVISED OUTLINE |
| 13 | 01/11/01 | WAL | REVISED OUTLINE |
| 14 | 01/11/01 | WAL | REVISED OUTLINE |
| 15 | 01/11/01 | WAL | REVISED OUTLINE |
| 16 | 01/11/01 | WAL | REVISED OUTLINE |
| 17 | 01/11/01 | WAL | REVISED OUTLINE |
| 18 | 01/11/01 | WAL | REVISED OUTLINE |
| 19 | 01/11/01 | WAL | REVISED OUTLINE |
| 20 | 01/11/01 | WAL | REVISED OUTLINE |
| 21 | 01/11/01 | WAL | REVISED OUTLINE |
| 22 | 01/11/01 | WAL | REVISED OUTLINE |
| 23 | 01/11/01 | WAL | REVISED OUTLINE |
| 24 | 01/11/01 | WAL | REVISED OUTLINE |
| 25 | 01/11/01 | WAL | REVISED OUTLINE |
| 26 | 01/11/01 | WAL | REVISED OUTLINE |
| 27 | 01/11/01 | WAL | REVISED OUTLINE |
| 28 | 01/11/01 | WAL | REVISED OUTLINE |
| 29 | 01/11/01 | WAL | REVISED OUTLINE |
| 30 | 01/11/01 | WAL | REVISED OUTLINE |
| 31 | 01/11/01 | WAL | REVISED OUTLINE |
| 32 | 01/11/01 | WAL | REVISED OUTLINE |
| 33 | 01/11/01 | WAL | REVISED OUTLINE |
| 34 | 01/11/01 | WAL | REVISED OUTLINE |
| 35 | 01/11/01 | WAL | REVISED OUTLINE |
| 36 | 01/11/01 | WAL | REVISED OUTLINE |
| 37 | 01/11/01 | WAL | REVISED OUTLINE |
| 38 | 01/11/01 | WAL | REVISED OUTLINE |
| 39 | 01/11/01 | WAL | REVISED OUTLINE |
| 40 | 01/11/01 | WAL | REVISED OUTLINE |
| 41 | 01/11/01 | WAL | REVISED OUTLINE |
| 42 | 01/11/01 | WAL | REVISED OUTLINE |
| 43 | 01/11/01 | WAL | REVISED OUTLINE |
| 44 | 01/11/01 | WAL | REVISED OUTLINE |
| 45 | 01/11/01 | WAL | REVISED OUTLINE |
| 46 | 01/11/01 | WAL | REVISED OUTLINE |
| 47 | 01/11/01 | WAL | REVISED OUTLINE |
| 48 | 01/11/01 | WAL | REVISED OUTLINE |
| 49 | 01/11/01 | WAL | REVISED OUTLINE |
| 50 | 01/11/01 | WAL | REVISED OUTLINE |
| 51 | 01/11/01 | WAL | REVISED OUTLINE |
| 52 | 01/11/01 | WAL | REVISED OUTLINE |
| 53 | 01/11/01 | WAL | REVISED OUTLINE |
| 54 | 01/11/01 | WAL | REVISED OUTLINE |
| 55 | 01/11/01 | WAL | REVISED OUTLINE |
| 56 | 01/11/01 | WAL | REVISED OUTLINE |
| 57 | 01/11/01 | WAL | REVISED OUTLINE |
| 58 | 01/11/01 | WAL | REVISED OUTLINE |
| 59 | 01/11/01 | WAL | REVISED OUTLINE |
| 60 | 01/11/01 | WAL | REVISED OUTLINE |
| 61 | 01/11/01 | WAL | REVISED OUTLINE |
| 62 | 01/11/01 | WAL | REVISED OUTLINE |
| 63 | 01/11/01 | WAL | REVISED OUTLINE |
| 64 | 01/11/01 | WAL | REVISED OUTLINE |
| 65 | 01/11/01 | WAL | REVISED OUTLINE |
| 66 | 01/11/01 | WAL | REVISED OUTLINE |
| 67 | 01/11/01 | WAL | REVISED OUTLINE |
| 68 | 01/11/01 | WAL | REVISED OUTLINE |
| 69 | 01/11/01 | WAL | REVISED OUTLINE |
| 70 | 01/11/01 | WAL | REVISED OUTLINE |
| 71 | 01/11/01 | WAL | REVISED OUTLINE |
| 72 | 01/11/01 | WAL | REVISED OUTLINE |
| 73 | 01/11/01 | WAL | REVISED OUTLINE |
| 74 | 01/11/01 | WAL | REVISED OUTLINE |
| 75 | 01/11/01 | WAL | REVISED OUTLINE |
| 76 | 01/11/01 | WAL | REVISED OUTLINE |
| 77 | 01/11/01 | WAL | REVISED OUTLINE |
| 78 | 01/11/01 | WAL | REVISED OUTLINE |
| 79 | 01/11/01 | WAL | REVISED OUTLINE |
| 80 | 01/11/01 | WAL | REVISED OUTLINE |
| 81 | 01/11/01 | WAL | REVISED OUTLINE |
| 82 | 01/11/01 | WAL | REVISED OUTLINE |
| 83 | 01/11/01 | WAL | REVISED OUTLINE |
| 84 | 01/11/01 | WAL | REVISED OUTLINE |
| 85 | 01/11/01 | WAL | REVISED OUTLINE |
| 86 | 01/11/01 | WAL | REVISED OUTLINE |
| 87 | 01/11/01 | WAL | REVISED OUTLINE |
| 88 | 01/11/01 | WAL | REVISED OUTLINE |
| 89 | 01/11/01 | WAL | REVISED OUTLINE |
| 90 | 01/11/01 | WAL | REVISED OUTLINE |
| 91 | 01/11/01 | WAL | REVISED OUTLINE |
| 92 | 01/11/01 | WAL | REVISED OUTLINE |
| 93 | 01/11/01 | WAL | REVISED OUTLINE |
| 94 | 01/11/01 | WAL | REVISED OUTLINE |
| 95 | 01/11/01 | WAL | REVISED OUTLINE |
| 96 | 01/11/01 | WAL | REVISED OUTLINE |
| 97 | 01/11/01 | WAL | REVISED OUTLINE |
| 98 | 01/11/01 | WAL | REVISED OUTLINE |
| 99 | 01/11/01 | WAL | REVISED OUTLINE |
| 100 | 01/11/01 | WAL | REVISED OUTLINE |

Yardney
WATER MANAGEMENT SYSTEMS
REVISED OUTLINE

RCW 1424-1A SINGLE TANK SYSTEM
DRAWING NO. 9725014241