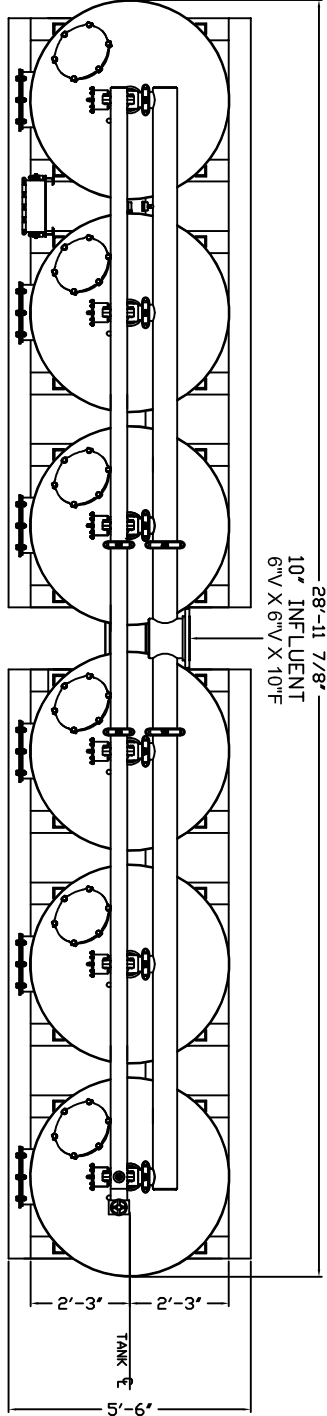
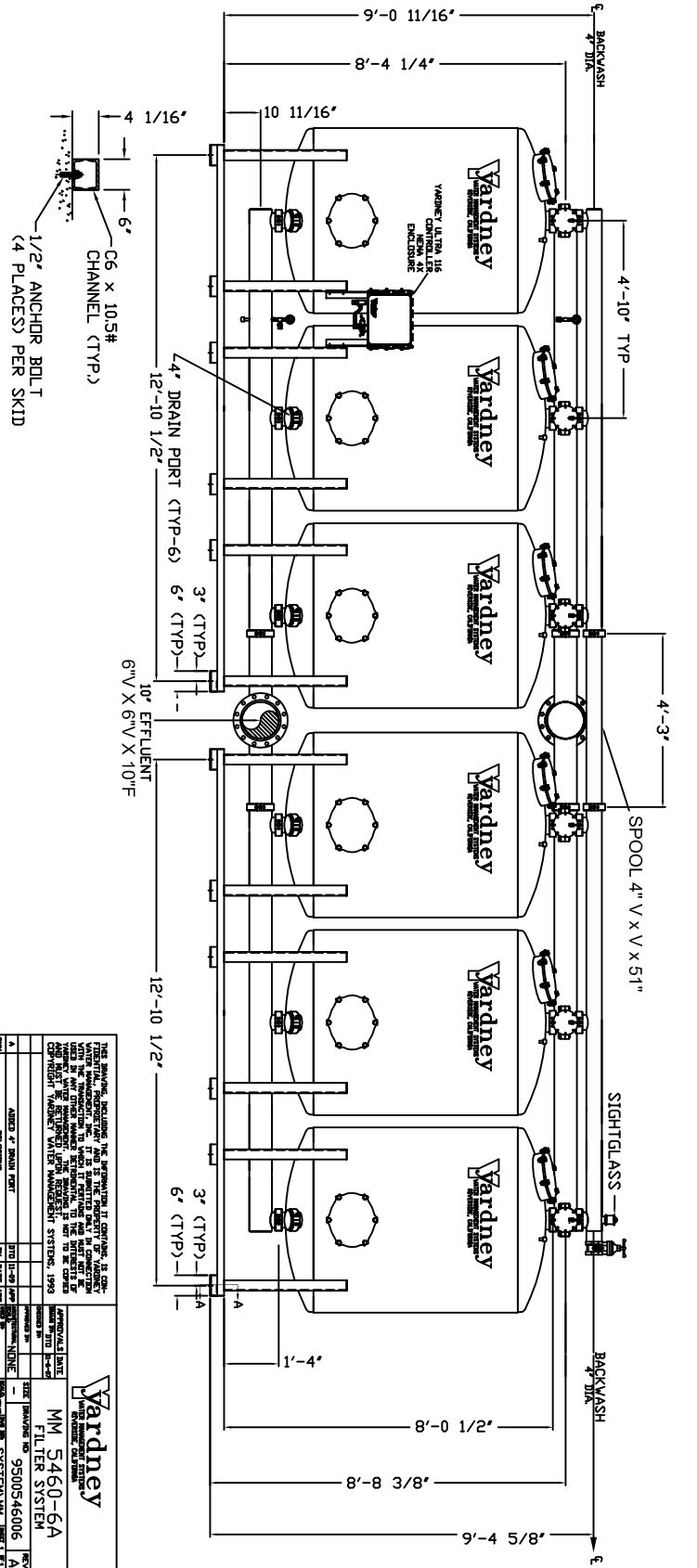
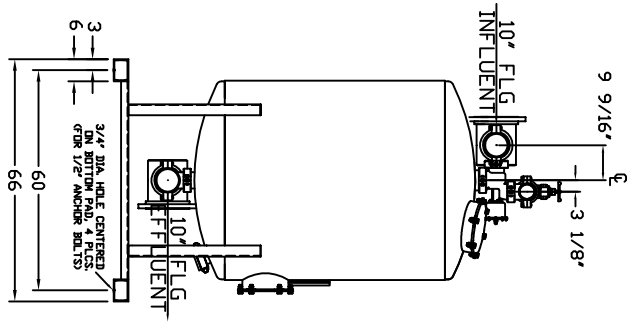


NOTES:

1. FLOW RATE DESIGN: 480-1432 GPM, MAX. TO 1908 GPM.
2. BACKWASH RATE: 15 GPM/FT².
3. MAXIMUM WORKING PRESSURE: 80 PSI.
3. ELECTRICAL REQUIREMENTS:
 CONTROLER (ADV)
 SILENCERS (24VAC) FACTORY W/RED
 AIR SUPPLY REQUIRED @ 2 CFM @ 70 PSIG (MIN.).
5. MEDIA REQUIREMENT PER TANK:
 A. 1/2"x3/4" CRUSHED ROCK: 95 CU. FT.
 B. 1.45mm GARNET: 80 CU. FT.
 C. 0.35mm GARNET: 24 CU. FT.
 B. 0.75 - 0.90mm ANTHRACITE: 24 CU. FT.
6. WEIGHTS (APPROX)
 EQUIPMENT: 8,320 LBS (LESS MEDIA)
 MEDIA: 38,088 LBS
 OPERATION: 68,650 LBS



MM 5460-6A



<p>THIS DRAWING, INCLUDING THE DESIGN, IS THE PROPERTY OF YARDNEY INDUSTRIES, INC. IT IS TO BE USED ONLY IN CONNECTION WITH THE PURCHASE OF THE SYSTEMS AS SHOWN HEREON. ANY OTHER REPRODUCTION OR USE WITHOUT THE WRITTEN PERMISSION OF YARDNEY INDUSTRIES, INC. IS STRICTLY PROHIBITED. YARDNEY INDUSTRIES, INC. 9500546006</p>	
<p>APPROVAL DATE: MM 5460-6A FILTER SYSTEM</p>	<p>DATE: 05/05/2006</p>
<p>DESIGNER: [Name]</p>	<p>DATE: [Date]</p>
<p>CHECKED BY: [Name]</p>	<p>DATE: [Date]</p>
<p>REVISIONS:</p>	<p>DATE: [Date]</p>