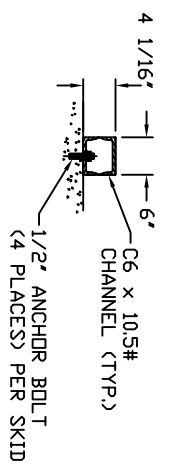
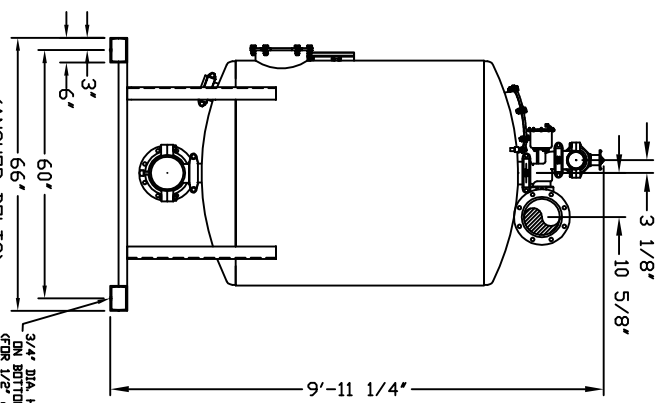
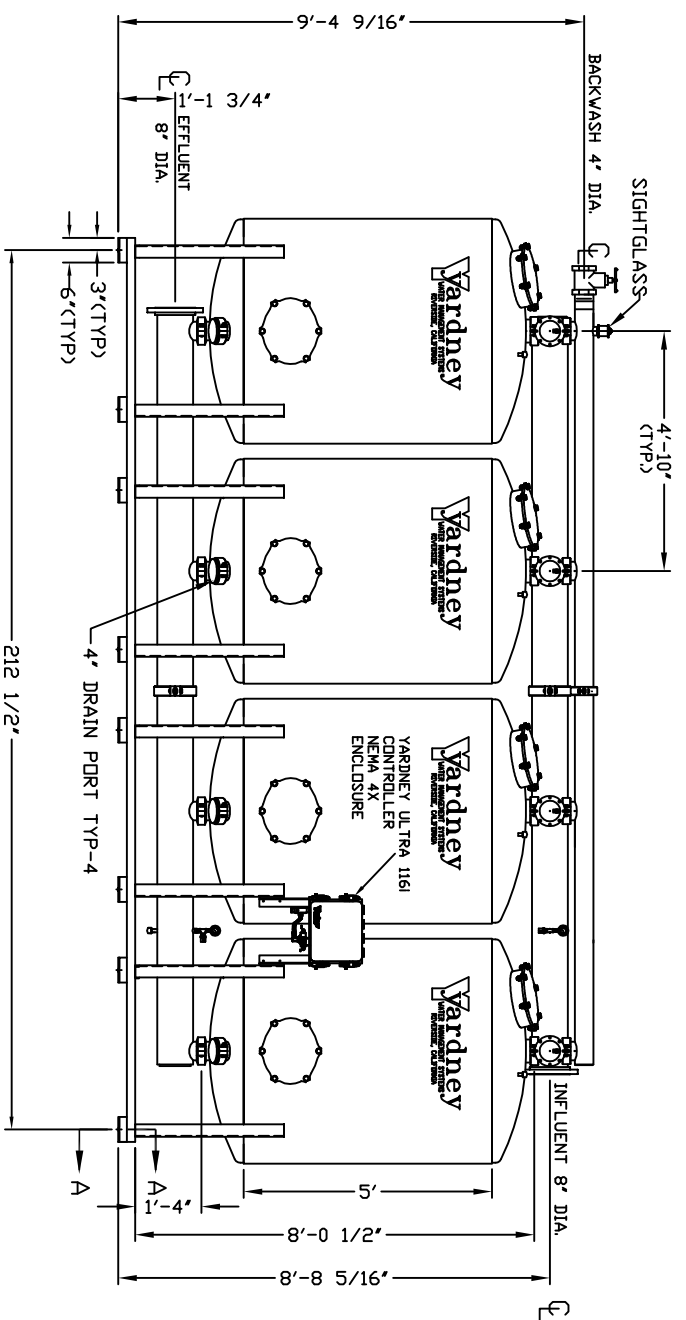
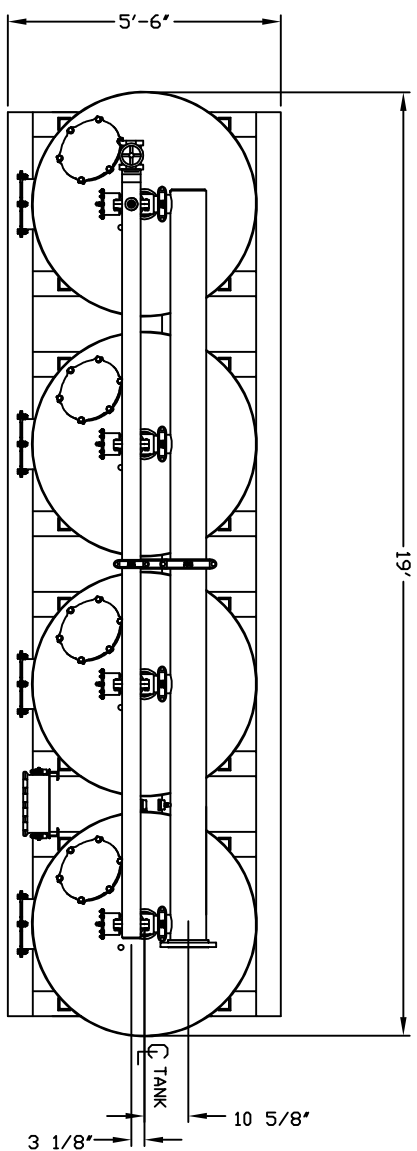


# MODEL MM 5460-4A

NOTES:

1. FLOW RATE DESIGN: 320-955 GPM  
BACKWASH RATE: 15 GPM/FT<sup>2</sup>
2. MAXIMUM WORKING PRESSURE: 80 PSI.
3. ELECTRICAL REQUIREMENTS:  
CONTROLLER 120V  
SOLENOIDS 24VAC; FACTORY WIRED
4. AIR SUPPLY REQUIRED: 2 CFM @ 70 PSIG (MIN.).
5. MEDIA REQUIREMENT PER TANK:  
A) 1/2" X 3/4" CRUSHED ROCK: 9.5 CU. FT.  
B) COARSE GARNET: 8.0 CU. FT.  
C) FINE GARNET: 24.0 CU. FT.  
D) ANTHRACITE: 24.0 CU. FT.
6. WEIGHTS: (APPROX.)  
EQUIPMENT: 5,540 LBS (LESS MEDIA)  
MEDIA: 25,417 LBS  
OPERATION: 45,750 LBS



<p>THIS DRAWING, INCLUDING THE INFORMATION IT CONTAINS, IS CONFIDENTIAL AND PROPRIETARY TO YARDNEY WATER MANAGEMENT, INC. IT IS SUBMITTED ONLY IN CONNECTION WITH THE PROJECT AND IS NOT TO BE REPRODUCED OR TRANSMITTED IN ANY FORM OR BY ANY MEANS, ELECTRONIC OR MECHANICAL, INCLUDING PHOTOCOPYING, RECORDING, OR BY ANY INFORMATION STORAGE AND RETRIEVAL SYSTEM, WITHOUT THE WRITTEN PERMISSION OF YARDNEY WATER MANAGEMENT, INC. THE DRAWING IS NOT TO BE COPIED OR REPRODUCED IN ANY MANNER WITHOUT THE WRITTEN PERMISSION OF YARDNEY WATER MANAGEMENT SYSTEMS, 1993</p>		<p>APPROVAL DATE</p> <p>DATE</p> <p>BY</p>	<p>APPROVAL DATE</p> <p>DATE</p> <p>BY</p>
<p>REVISED DATE</p> <p>DATE</p> <p>BY</p>	<p>REVISED DATE</p> <p>DATE</p> <p>BY</p>	<p>SIZE DRAWING NO.</p> <p>MODEL MM 5460-4A</p>	<p>SIZE DRAWING NO.</p> <p>MODEL MM 5460-4A</p>
<p>DESIGNED BY</p> <p>DATE</p>	<p>DESIGNED BY</p> <p>DATE</p>	<p>9500546004</p>	<p>9500546004</p>
<p>BY</p>	<p>BY</p>	<p>SYSTEMS/MM/54</p>	<p>SYSTEMS/MM/54</p>