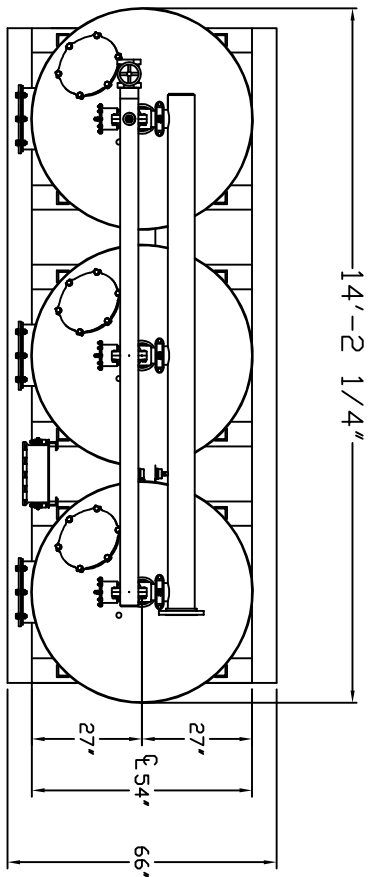
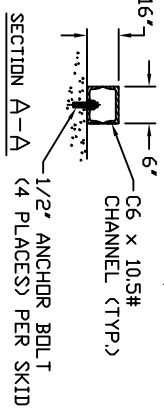
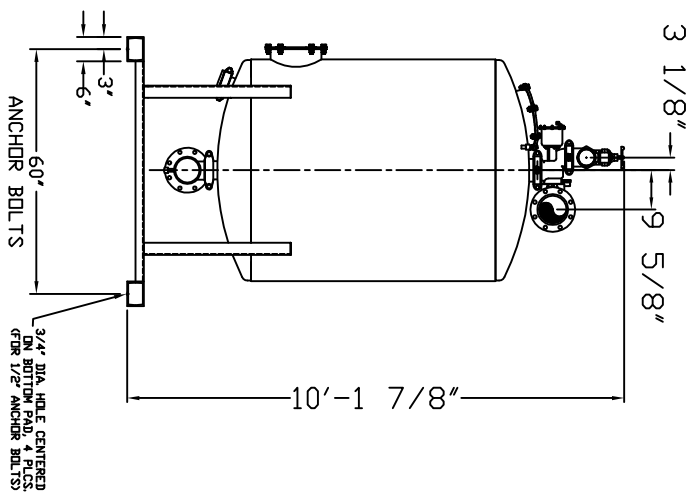
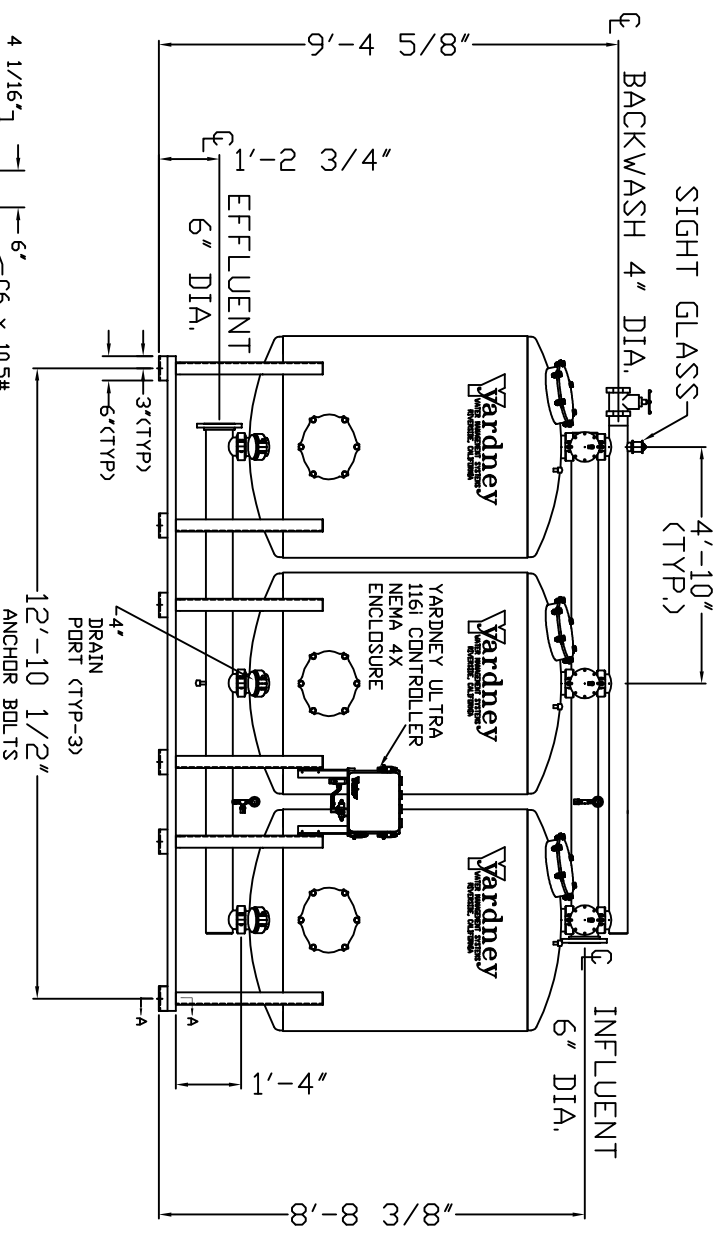


# MODEL MM 5460-3A



1. FLOW RATE DESIGN: 240-716 GPM, MAX TD 954 GPM.
2. MAXIMUM WORKING PRESSURE: 80 PSI.
3. ELECTRICAL REQUIREMENTS:  
 CONTROLLER 120V,  
 SOLENOIDS 24VAC, FACTORY WIRED
4. AIR SUPPLY REQUIRED: 2 CFM @ 70 PSIG (MIN.).
5. MEDIA REQUIREMENT PER TANK:
  - A. 1/2"x3/4" CRUSHED ROCK: 9.5 CU. FT.
  - B. 1.45mm GARNET: 8.0 CU. FT.
  - C. 0.35mm GARNET: 24.0 CU. FT.
  - D. 0.75mm ANTHRACITE: 24.0 CU. FT.
6. WEIGHTS: (APPROX.)
  - EQUIPMENT: 4,080 LBS (LESS MEDIA)
  - MEDIA: 17,366 LBS
  - OPERATION: 34,250 LBS



|   |                          |  |           |
|---|--------------------------|--|-----------|
| THIS DRAWING, INCLUDING THE INFORMATION IT CONTAINS, IS CONFIDENTIAL, PROPRIETARY AND IS THE PROPERTY OF YARDNEY WATER MANAGEMENT, INC. IT IS SUBMITTED ONLY IN CONNECTION WITH THE SPECIFIC PROJECT AND IS NOT TO BE REPRODUCED, COPIED, OR USED IN ANY OTHER MANNER WITHOUT THE WRITTEN PERMISSION OF YARDNEY WATER MANAGEMENT, INC. THE INFORMATION CONTAINED HEREIN IS NOT TO BE CREDITED TO ANY OTHER PARTY. |                          | <b>Yardney</b><br>WATER MANAGEMENT SYSTEMS |           |
| D   | DESIGNED BY              | DATE                                       | APPROVALS |
| C   | CONNECTED GPM FLOW RATES | DATE                                       | DATE      |
| B   | STANDARDIZED NOTES       | DATE                                       | DATE      |
| A   | REVISIONS                | DATE                                       | DATE      |
| MODEL MM 5460-3A  |                          | SIZE DRAWING NO. 9500546003                |           |
| SYSTEM/MS/54  |                          | SHEET 1 OF 1                               |           |