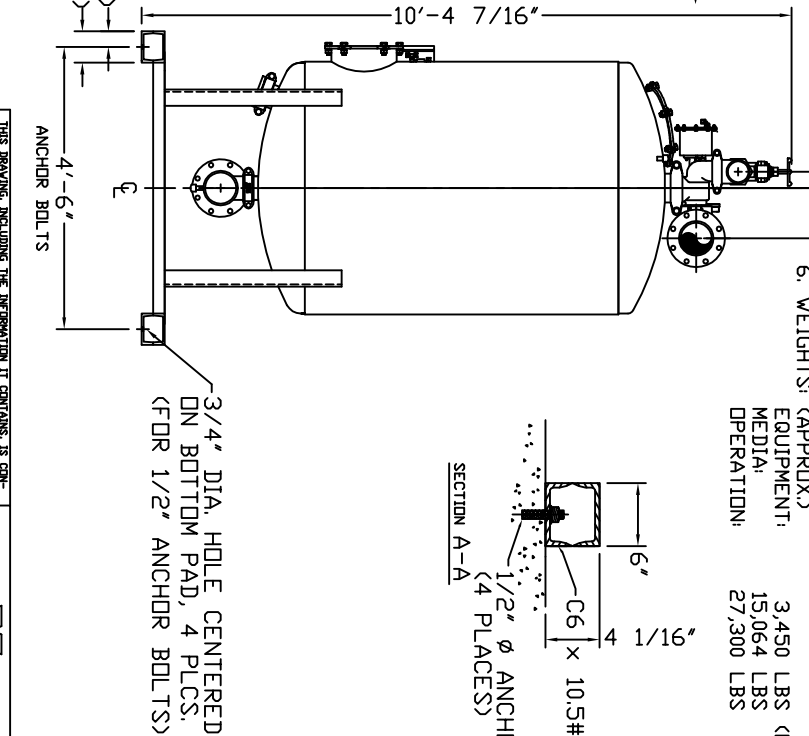
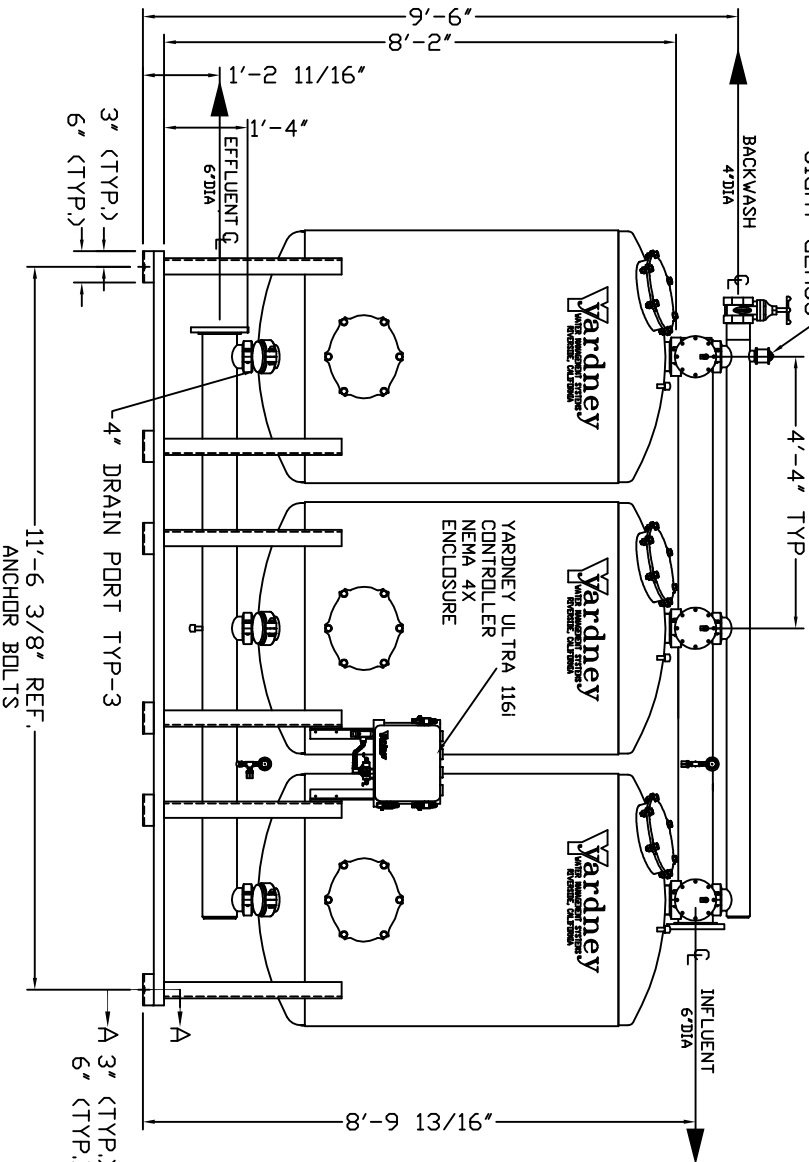
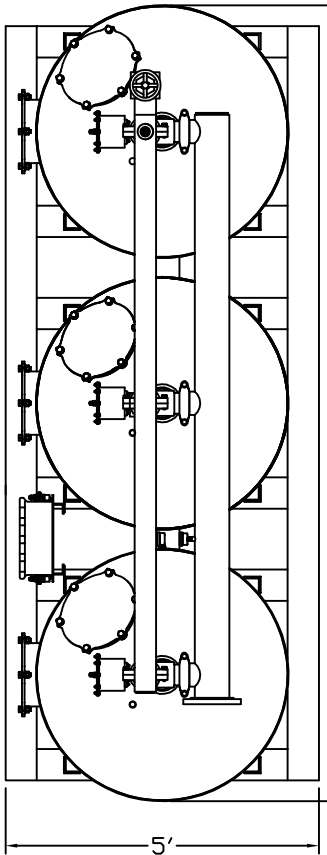


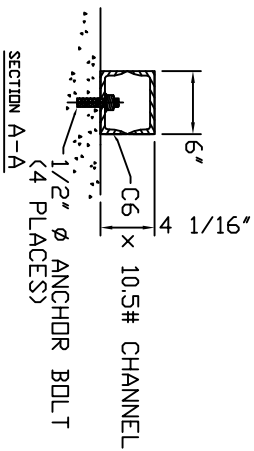
12'-8 3/8"



# MM 4860-3A

**NOTES:**

1. FLOW RATE DESIGN: 189-567 GPM; MAX TD 756 GPM.  
BACKWASH RATE: 15 GPM/FT<sup>2</sup>.
2. MAXIMUM WORKING PRESSURE: 80 PSI.
3. ELECTRICAL REQUIREMENTS:  
CONTROLLER 120V,  
SOLENOIDS 24VAC; FACTORY WIRE  
4. AIR SUPPLY REQUIRED: 2 CFM @ 70 PSIG (MIN.).
5. MEDIA REQUIREMENT PER TANK:  
A. 1/2"x3/4" CRUSHED ROCK: 7.0 CU. FT.  
B. 145mm GARNET: 6.5 CU. FT.  
C. 0.35mm GARNET: 19.0 CU. FT.  
D. 0.75 ANTHRACITE: 19.0 CU. FT.
6. WEIGHTS: (APPROX.)  
EQUIPMENT: 3,450 LBS (LESS MEDIA)  
MEDIA: 15,064 LBS  
OPERATION: 27,300 LBS



3/4" DIA. HOLE CENTERED  
ON BOTTOM PAD, 4 PLCS.  
(FOR 1/2" ANCHOR BOLTS)

<p>THIS DRAWING, INCLUDING THE INFORMATION IT CONTAINS, IS CONFIDENTIAL, PROPRIETARY AND IS THE PROPERTY OF YARDNEY WATER MANAGEMENT SYSTEMS. IT IS TO BE USED IN CONNECTION WITH THE TRANSACTION TO WHICH IT PERTAINS AND MUST NOT BE USED IN ANY OTHER MANNER DETRIMENTAL TO THE INTERESTS OF YARDNEY WATER MANAGEMENT SYSTEMS. IT IS TO BE RETURNED TO YARDNEY WATER MANAGEMENT SYSTEMS, 1994 COPPERBRIGHT YARDNEY WATER MANAGEMENT SYSTEMS, 1994</p>		<p>APPROVALS DATE</p>	
D	ADDED 4" DRAIN PORT	DTD 11-09	APP [Signature]
C	ADDED SIGHT GLASS	DTC 5-07	APP [Signature]
B	STANDARDIZED NOTES	DTC 9-05	APP [Signature]
A	ADDED NEMA 4X CONTROLLER	DTC 6-05	APP [Signature]
SM	REVISIONS	BY DATE	APP [Signature]
<p>Yardney WATER MANAGEMENT SYSTEMS</p>		<p>MM 4860-3A FILTER SYSTEM</p>	
<p>SIZE DRAWING NO. 9500486003</p>		<p>REV. J</p>	