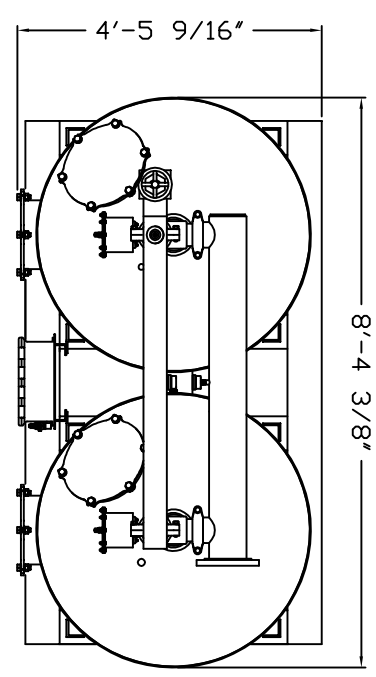
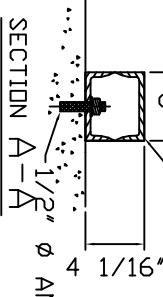
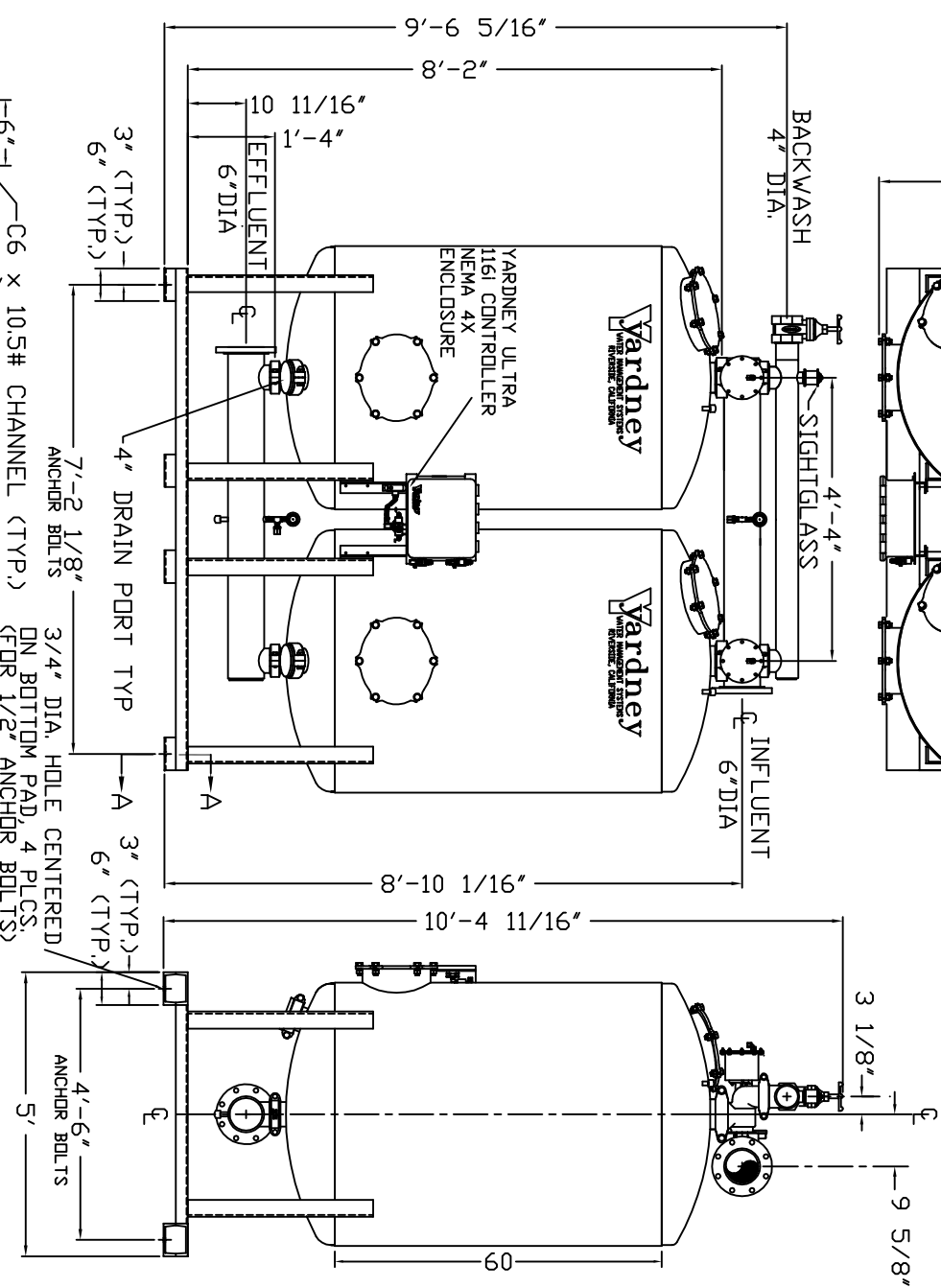


MM 4860-2A



- NOTES:
1. FLOW RATE DESIGN: 126-378 GPM, MAX TD 504 GPM.
 2. MAXIMUM WORKING PRESSURE: 80 PSI.
 3. ELECTRICAL REQUIREMENTS:
CONTROLLER 120V;
SOLENOIDS 24VAC; FACTORY WIRED.
 4. AIR SUPPLY REQUIRED: 2 CFM @ 70 PSIG (MIN.).
 5. MEDIA REQUIREMENT PER TANK:
 - A. 1/2"x3/4" CRUSHED ROCK: 70 CU. FT.
 - B. 1.45mm GARNET: 6.5 CU. FT.
 - C. 0.35mm GARNET: 19.0 CU. FT.
 - D. 0.75mm ANTHRACITE: 19.0 CU. FT.
 6. WEIGHTS (APPROX)
 - EQUIPMENT: 2,360 LBS (LESS MEDIA)
 - MEDIA: 10,101 LBS
 - OPERATION: 18,300 LBS



NO.	DESCRIPTION	DATE	BY	CHKD	APP'D
1	DESIGNED WITH NEMA 4 ENCLOSURE	07/11/99	JLH	WJ	
2	DESIGNED WITH NEMA 4 ENCLOSURE	07/11/99	JLH	WJ	
3	DESIGNED WITH NEMA 4 ENCLOSURE	07/11/99	JLH	WJ	
4	DESIGNED WITH NEMA 4 ENCLOSURE	07/11/99	JLH	WJ	
5	DESIGNED WITH NEMA 4 ENCLOSURE	07/11/99	JLH	WJ	
6	DESIGNED WITH NEMA 4 ENCLOSURE	07/11/99	JLH	WJ	
7	DESIGNED WITH NEMA 4 ENCLOSURE	07/11/99	JLH	WJ	
8	DESIGNED WITH NEMA 4 ENCLOSURE	07/11/99	JLH	WJ	
9	DESIGNED WITH NEMA 4 ENCLOSURE	07/11/99	JLH	WJ	
10	DESIGNED WITH NEMA 4 ENCLOSURE	07/11/99	JLH	WJ	
11	DESIGNED WITH NEMA 4 ENCLOSURE	07/11/99	JLH	WJ	
12	DESIGNED WITH NEMA 4 ENCLOSURE	07/11/99	JLH	WJ	
13	DESIGNED WITH NEMA 4 ENCLOSURE	07/11/99	JLH	WJ	
14	DESIGNED WITH NEMA 4 ENCLOSURE	07/11/99	JLH	WJ	
15	DESIGNED WITH NEMA 4 ENCLOSURE	07/11/99	JLH	WJ	
16	DESIGNED WITH NEMA 4 ENCLOSURE	07/11/99	JLH	WJ	
17	DESIGNED WITH NEMA 4 ENCLOSURE	07/11/99	JLH	WJ	
18	DESIGNED WITH NEMA 4 ENCLOSURE	07/11/99	JLH	WJ	
19	DESIGNED WITH NEMA 4 ENCLOSURE	07/11/99	JLH	WJ	
20	DESIGNED WITH NEMA 4 ENCLOSURE	07/11/99	JLH	WJ	
21	DESIGNED WITH NEMA 4 ENCLOSURE	07/11/99	JLH	WJ	
22	DESIGNED WITH NEMA 4 ENCLOSURE	07/11/99	JLH	WJ	
23	DESIGNED WITH NEMA 4 ENCLOSURE	07/11/99	JLH	WJ	
24	DESIGNED WITH NEMA 4 ENCLOSURE	07/11/99	JLH	WJ	
25	DESIGNED WITH NEMA 4 ENCLOSURE	07/11/99	JLH	WJ	
26	DESIGNED WITH NEMA 4 ENCLOSURE	07/11/99	JLH	WJ	
27	DESIGNED WITH NEMA 4 ENCLOSURE	07/11/99	JLH	WJ	
28	DESIGNED WITH NEMA 4 ENCLOSURE	07/11/99	JLH	WJ	
29	DESIGNED WITH NEMA 4 ENCLOSURE	07/11/99	JLH	WJ	
30	DESIGNED WITH NEMA 4 ENCLOSURE	07/11/99	JLH	WJ	
31	DESIGNED WITH NEMA 4 ENCLOSURE	07/11/99	JLH	WJ	
32	DESIGNED WITH NEMA 4 ENCLOSURE	07/11/99	JLH	WJ	
33	DESIGNED WITH NEMA 4 ENCLOSURE	07/11/99	JLH	WJ	
34	DESIGNED WITH NEMA 4 ENCLOSURE	07/11/99	JLH	WJ	
35	DESIGNED WITH NEMA 4 ENCLOSURE	07/11/99	JLH	WJ	
36	DESIGNED WITH NEMA 4 ENCLOSURE	07/11/99	JLH	WJ	
37	DESIGNED WITH NEMA 4 ENCLOSURE	07/11/99	JLH	WJ	
38	DESIGNED WITH NEMA 4 ENCLOSURE	07/11/99	JLH	WJ	
39	DESIGNED WITH NEMA 4 ENCLOSURE	07/11/99	JLH	WJ	
40	DESIGNED WITH NEMA 4 ENCLOSURE	07/11/99	JLH	WJ	
41	DESIGNED WITH NEMA 4 ENCLOSURE	07/11/99	JLH	WJ	
42	DESIGNED WITH NEMA 4 ENCLOSURE	07/11/99	JLH	WJ	
43	DESIGNED WITH NEMA 4 ENCLOSURE	07/11/99	JLH	WJ	
44	DESIGNED WITH NEMA 4 ENCLOSURE	07/11/99	JLH	WJ	
45	DESIGNED WITH NEMA 4 ENCLOSURE	07/11/99	JLH	WJ	
46	DESIGNED WITH NEMA 4 ENCLOSURE	07/11/99	JLH	WJ	
47	DESIGNED WITH NEMA 4 ENCLOSURE	07/11/99	JLH	WJ	
48	DESIGNED WITH NEMA 4 ENCLOSURE	07/11/99	JLH	WJ	
49	DESIGNED WITH NEMA 4 ENCLOSURE	07/11/99	JLH	WJ	
50	DESIGNED WITH NEMA 4 ENCLOSURE	07/11/99	JLH	WJ	
51	DESIGNED WITH NEMA 4 ENCLOSURE	07/11/99	JLH	WJ	
52	DESIGNED WITH NEMA 4 ENCLOSURE	07/11/99	JLH	WJ	
53	DESIGNED WITH NEMA 4 ENCLOSURE	07/11/99	JLH	WJ	
54	DESIGNED WITH NEMA 4 ENCLOSURE	07/11/99	JLH	WJ	
55	DESIGNED WITH NEMA 4 ENCLOSURE	07/11/99	JLH	WJ	
56	DESIGNED WITH NEMA 4 ENCLOSURE	07/11/99	JLH	WJ	
57	DESIGNED WITH NEMA 4 ENCLOSURE	07/11/99	JLH	WJ	
58	DESIGNED WITH NEMA 4 ENCLOSURE	07/11/99	JLH	WJ	
59	DESIGNED WITH NEMA 4 ENCLOSURE	07/11/99	JLH	WJ	
60	DESIGNED WITH NEMA 4 ENCLOSURE	07/11/99	JLH	WJ	
61	DESIGNED WITH NEMA 4 ENCLOSURE	07/11/99	JLH	WJ	
62	DESIGNED WITH NEMA 4 ENCLOSURE	07/11/99	JLH	WJ	
63	DESIGNED WITH NEMA 4 ENCLOSURE	07/11/99	JLH	WJ	
64	DESIGNED WITH NEMA 4 ENCLOSURE	07/11/99	JLH	WJ	
65	DESIGNED WITH NEMA 4 ENCLOSURE	07/11/99	JLH	WJ	
66	DESIGNED WITH NEMA 4 ENCLOSURE	07/11/99	JLH	WJ	
67	DESIGNED WITH NEMA 4 ENCLOSURE	07/11/99	JLH	WJ	
68	DESIGNED WITH NEMA 4 ENCLOSURE	07/11/99	JLH	WJ	
69	DESIGNED WITH NEMA 4 ENCLOSURE	07/11/99	JLH	WJ	
70	DESIGNED WITH NEMA 4 ENCLOSURE	07/11/99	JLH	WJ	
71	DESIGNED WITH NEMA 4 ENCLOSURE	07/11/99	JLH	WJ	
72	DESIGNED WITH NEMA 4 ENCLOSURE	07/11/99	JLH	WJ	
73	DESIGNED WITH NEMA 4 ENCLOSURE	07/11/99	JLH	WJ	
74	DESIGNED WITH NEMA 4 ENCLOSURE	07/11/99	JLH	WJ	
75	DESIGNED WITH NEMA 4 ENCLOSURE	07/11/99	JLH	WJ	
76	DESIGNED WITH NEMA 4 ENCLOSURE	07/11/99	JLH	WJ	
77	DESIGNED WITH NEMA 4 ENCLOSURE	07/11/99	JLH	WJ	
78	DESIGNED WITH NEMA 4 ENCLOSURE	07/11/99	JLH	WJ	
79	DESIGNED WITH NEMA 4 ENCLOSURE	07/11/99	JLH	WJ	
80	DESIGNED WITH NEMA 4 ENCLOSURE	07/11/99	JLH	WJ	
81	DESIGNED WITH NEMA 4 ENCLOSURE	07/11/99	JLH	WJ	
82	DESIGNED WITH NEMA 4 ENCLOSURE	07/11/99	JLH	WJ	
83	DESIGNED WITH NEMA 4 ENCLOSURE	07/11/99	JLH	WJ	
84	DESIGNED WITH NEMA 4 ENCLOSURE	07/11/99	JLH	WJ	
85	DESIGNED WITH NEMA 4 ENCLOSURE	07/11/99	JLH	WJ	
86	DESIGNED WITH NEMA 4 ENCLOSURE	07/11/99	JLH	WJ	
87	DESIGNED WITH NEMA 4 ENCLOSURE	07/11/99	JLH	WJ	
88	DESIGNED WITH NEMA 4 ENCLOSURE	07/11/99	JLH	WJ	
89	DESIGNED WITH NEMA 4 ENCLOSURE	07/11/99	JLH	WJ	
90	DESIGNED WITH NEMA 4 ENCLOSURE	07/11/99	JLH	WJ	
91	DESIGNED WITH NEMA 4 ENCLOSURE	07/11/99	JLH	WJ	
92	DESIGNED WITH NEMA 4 ENCLOSURE	07/11/99	JLH	WJ	
93	DESIGNED WITH NEMA 4 ENCLOSURE	07/11/99	JLH	WJ	
94	DESIGNED WITH NEMA 4 ENCLOSURE	07/11/99	JLH	WJ	
95	DESIGNED WITH NEMA 4 ENCLOSURE	07/11/99	JLH	WJ	
96	DESIGNED WITH NEMA 4 ENCLOSURE	07/11/99	JLH	WJ	
97	DESIGNED WITH NEMA 4 ENCLOSURE	07/11/99	JLH	WJ	
98	DESIGNED WITH NEMA 4 ENCLOSURE	07/11/99	JLH	WJ	
99	DESIGNED WITH NEMA 4 ENCLOSURE	07/11/99	JLH	WJ	
100	DESIGNED WITH NEMA 4 ENCLOSURE	07/11/99	JLH	WJ	

DO NOT SCALE DWG

Yardney
WATER MANAGEMENT SYSTEMS
RESERVE OILTIGHT

MM 4860-2A
FILTER SYSTEM