

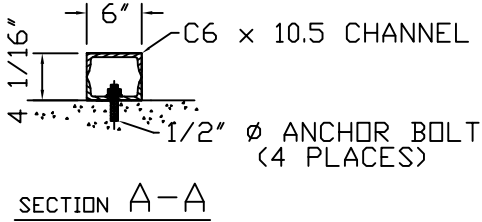
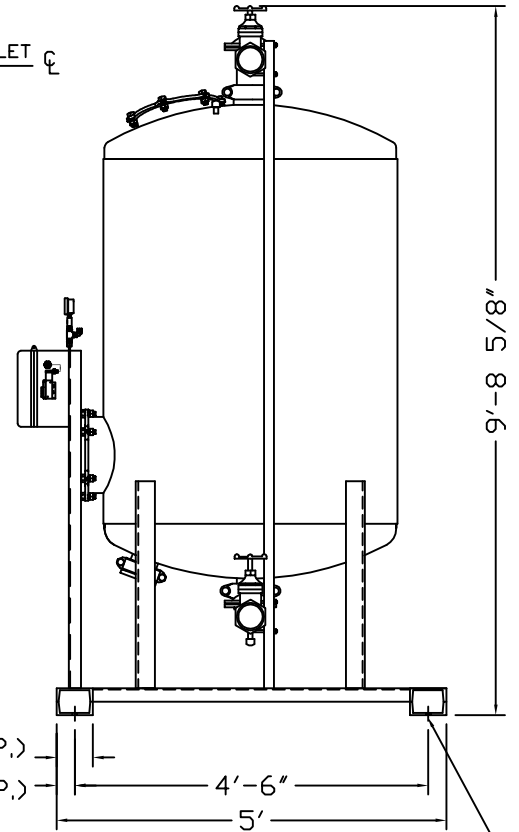
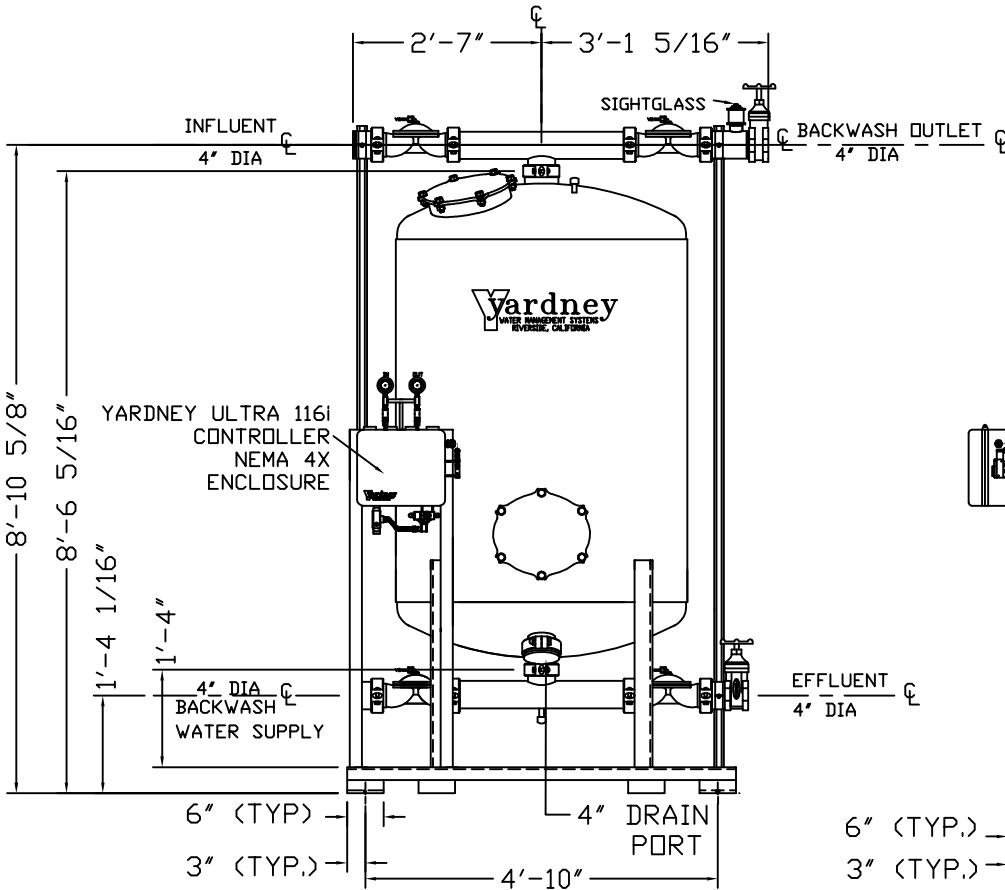
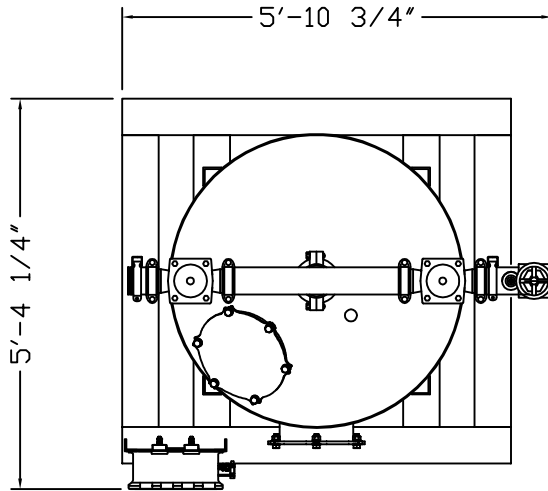
MM 4860-1A

NOTES:

1. FLOW RATE DESIGN: 63-189 GPM; MAX TO 252 GPM.
BACKWASH RATE: 15 GPM/FT².
2. MAXIMUM WORKING PRESSURE: 80 PSI.
3. ELECTRICAL REQUIREMENTS:
CONTROLLER 120V; FACTORY WIRED
SOLENOIDS 24VAC; FACTORY WIRED
4. AIR SUPPLY REQUIRED: 2 CFM @ 70 PSIG (MIN.).
5. MEDIA REQUIREMENT PER TANK:

A. 1/2"x3/4" CRUSHED ROCK:	7.0 CU. FT. .
B. 1.45mm GARNET	6.5 CU. FT. .
C. 0.35mm GARNET	19.0 CU. FT. .
D. 0.75mm ANTHRACITE	19.0 CU. FT. .
6. WEIGHTS: (APPROX.)

EQUIPMENT:	1,160 LBS (LESS MEDIA)
MEDIA:	5,138 LBS
OPERATION:	9,150 LBS



THIS DRAWING, INCLUDING THE INFORMATION IT CONTAINS, IS CONFIDENTIAL, PROPRIETARY AND IS THE PROPERTY OF YARDNEY WATER MANAGEMENT, INC. IT IS SUBMITTED ONLY IN CONNECTION WITH THE TRANSACTION TO WHICH IT PERTAINS AND MUST NOT BE USED IN ANY OTHER MANNER DETRIMENTAL TO THE INTERESTS OF YARDNEY WATER MANAGEMENT. THE DRAWING IS NOT TO BE COPIED AND MUST BE RETURNED UPON REQUEST.
COPYRIGHT YARDNEY WATER MANAGEMENT SYSTEMS, 1993

DO NOT SCALE DWG.
Yardney
WATER MANAGEMENT SYSTEMS
RIVERSIDE, CALIFORNIA

SYMBOL	DESCRIPTION	DATE	APP	BY
D	ADDED 4" DRAIN PORT	8-07	APP	
C	ADDED NEMA 4X ENCLOSURE	8-07	APP	
B	CORRECTED GPM FLOW RATES	10-05	APP	
A	STANDARDIZED NOTES	9-05	APP	
SYN	REVISIONS			

APPROVALS	DATE	SCALE	DWG NO	SYSTEMS	MM	SHEET	1	OF	1
DRWN BY: K.A.T.	6/3/93								
CHECKED BY:									
APPROVED BY:									
ARCHITECTURAL SCALE:	NONE								
USED ON:									

MM 4860-1A
FILTER SYSTEM

SIZE: D
DRAWING NO: 9500486001
REV: D