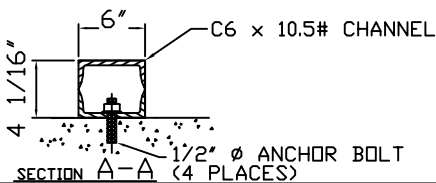
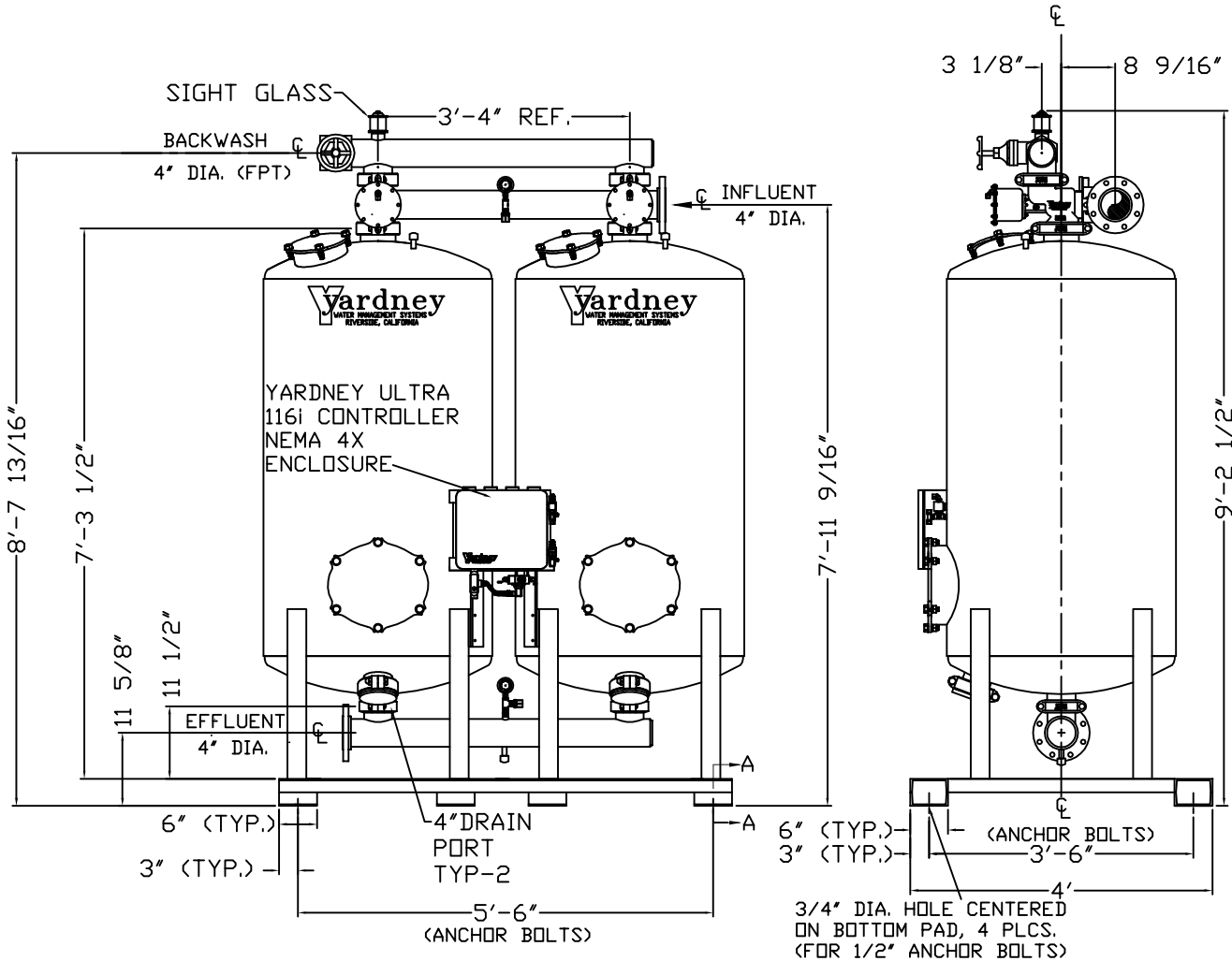
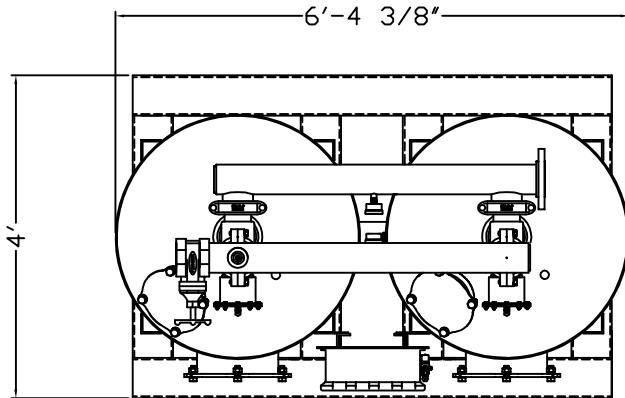


MM 3660-2A

NOTES:

1. FLOW RATE DESIGN: 70-213 GPM, MAX. TO 284 GPM.
2. MAXIMUM WORKING PRESSURE: 100 PSI.
3. ELECTRICAL:
CONTROLLER 120V;
SOLENOIDS 24VAC; FACTORY WIRED.
4. AIR SUPPLY REQUIRED: 2 CFM @ 70 PSIG (MIN.).
5. MEDIA REQUIREMENT PER TANK:
A. 1/2"x3/4" CRUSHED ROCK: 4.0 CU. FT. .
B. 1.45mm GARNET: 3.5 CU. FT. .
C. 0.35mm GARNET: 10.5 CU. FT. .
D. 0.75mm ANTHRACITE: 10.5 CU. FT. .
6. WEIGHTS: (APPROX.)
SHIPPING: 1485 LBS (LESS MEDIA)
MEDIA: 5617 LBS
OPERATION: 10,100 LBS



THIS DRAWING, INCLUDING THE INFORMATION IT CONTAINS, IS CONFIDENTIAL, PROPRIETARY AND IS THE PROPERTY OF YARDNEY WATER MANAGEMENT, INC. IT IS SUBMITTED ONLY IN CONNECTION WITH THE TRANSACTION TO WHICH IT PERTAINS AND MUST NOT BE USED IN ANY OTHER MANNER DETRIMENTAL TO THE INTERESTS OF YARDNEY WATER MANAGEMENT. THE DRAWING IS NOT TO BE COPIED AND MUST BE RETURNED UPON REQUEST. COPYRIGHT YARDNEY WATER MANAGEMENT SYSTEMS, 1994				DO NOT SCALE DWG.	
Yardney WATER MANAGEMENT SYSTEMS RIVERSIDE, CALIFORNIA				MM 3660-2A FILTER SYSTEM	
APPROVALS		DATE		SIZE	
C	ADDED 4" DRAIN PORT	DTD	11-09	APP	D
B	ADDED SIGHT GLASS	DTC	5-07	APP	D
A	ADDED NEMA 4X ENCLOSURE	DTC	10-06	APP	D
SYN	REVISIONS	BY	DATE	APP	REV: C
SCALE: 1/8" = 1'-0"				DRAWING NO: 9500366002	
				SHEET 1 OF 1	