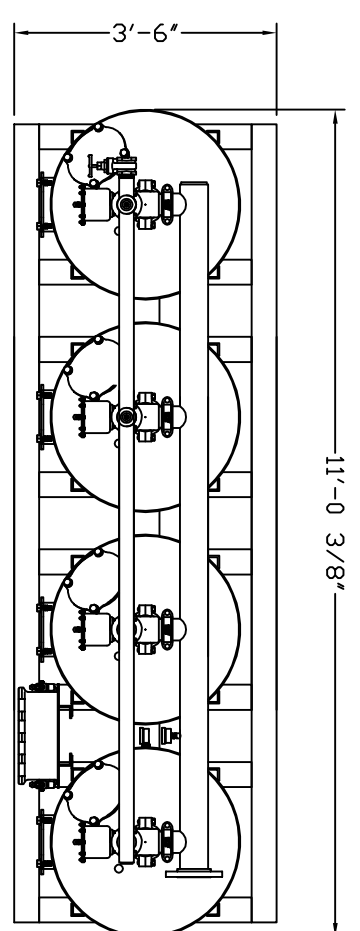
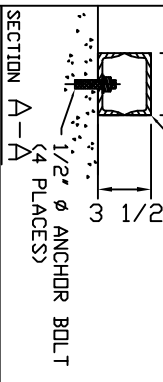
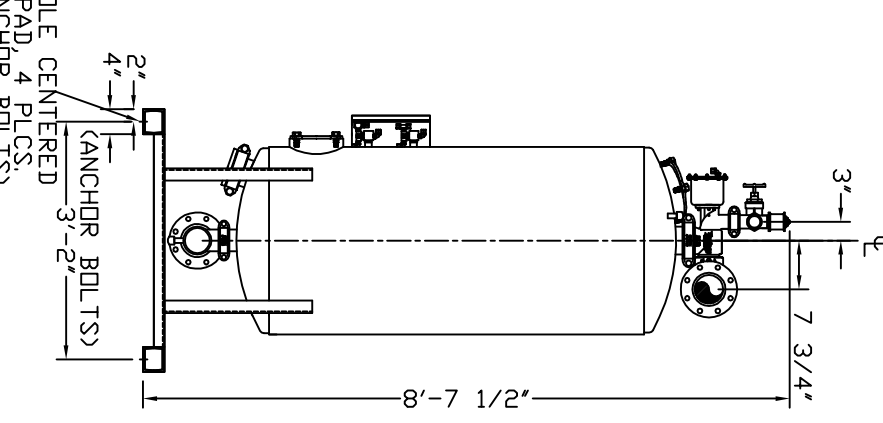
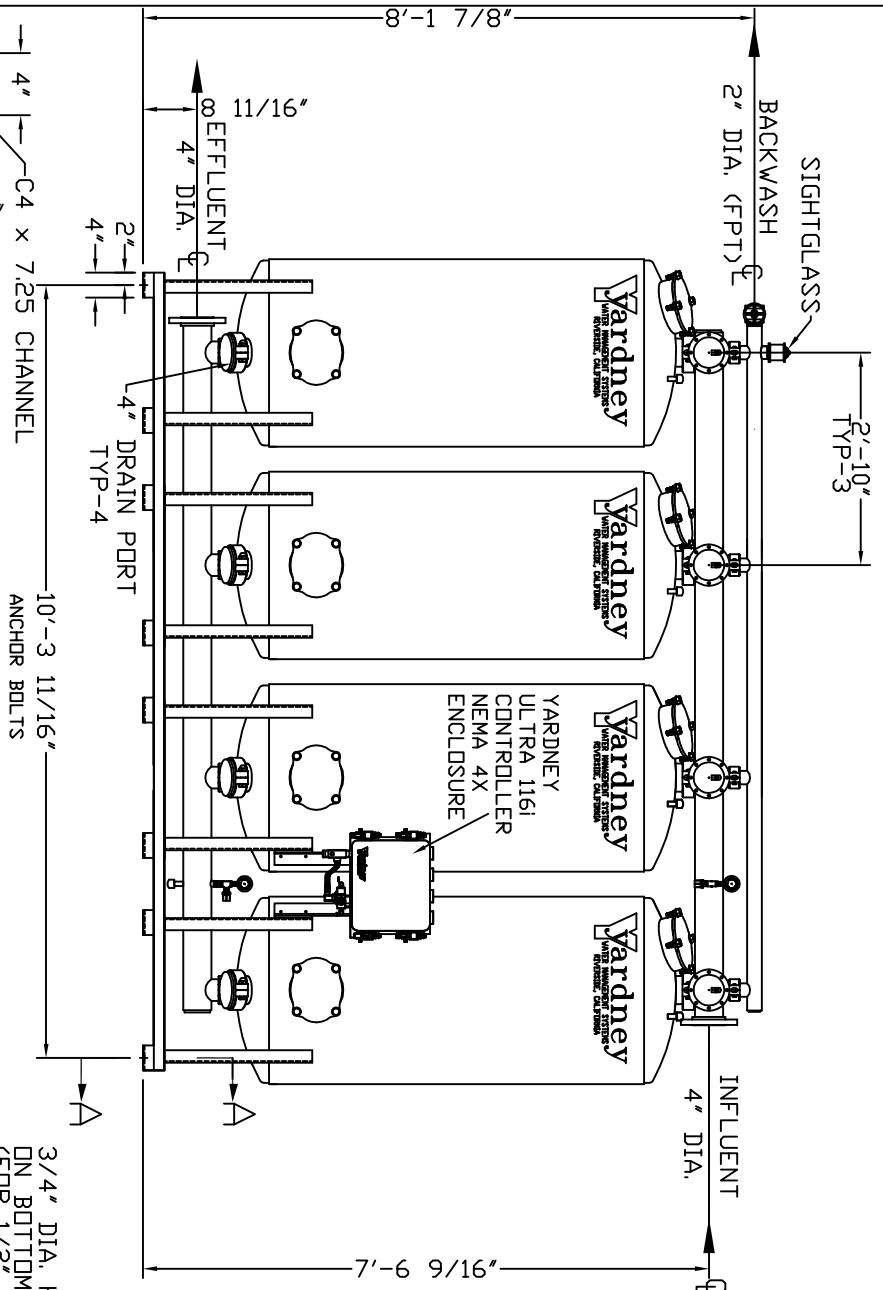


MM 3060-4A



- NOTES:
1. FLOW RATE DESIGN: 98-295 GPM; MAX TD 393 GPM
 2. MAXIMUM WORKING PRESSURE: 100 PSI.
 3. ELECTRICAL REQUIREMENTS:
CONTROLLER 120V;
SOLENOIDS 24VAC; FACTORY W/RED
 4. AIR SUPPLY REQUIRED: 2 CFM @ 70 PSIG (MIN.).
 5. MEDIA REQUIREMENT PER TANK:
A. 1/2"x3/4" CRUSHED ROCK: 2.5 CU. FT.
B. 145mm GARNET: 2.5 CU. FT.
C. 0.35mm GARNET: 7.5 CU. FT.
D. 0.75 ANTHRACITE: 7.5 CU. FT.
 6. WEIGHTS: (APPROX.)
EQUIPMENT: 2,320 LBS (LESS MEDIA)
MEDIA: 7,800 LBS
OPERATION: 14,135 LBS



THESE DRAWINGS ARE THE PROPERTY OF YARDNEY WATER MANAGEMENT SYSTEMS, INC. ANY REPRODUCTION OR USE IN ANY MANNER WITHOUT THE WRITTEN PERMISSION OF YARDNEY WATER MANAGEMENT SYSTEMS, INC. IS STRICTLY PROHIBITED. THESE DRAWINGS ARE TO BE USED IN ANY OTHER MANNER WITHOUT THE WRITTEN PERMISSION OF YARDNEY WATER MANAGEMENT SYSTEMS, INC. AND MUST BE RETURNED UPON REQUEST. COPYRIGHT YARDNEY WATER MANAGEMENT SYSTEMS, 1993

APPROVALS DATE	BY DATE
DESIGNED BY	BY DATE
CHECKED BY	BY DATE
PROJECT NO.	BY DATE
REVISIONS	BY DATE

Yardney WATER MANAGEMENT SYSTEMS, INC. MM 3060-4A FILTER SYSTEM 9500306004

3/4" DIA. HOLE CENTERED ON BOTTOM PAD, 4 PLCS. (FOR 1/2" ANCHOR BOLTS)

2" (ANCHOR BOLTS)

3'-2" (ANCHOR BOLTS)