

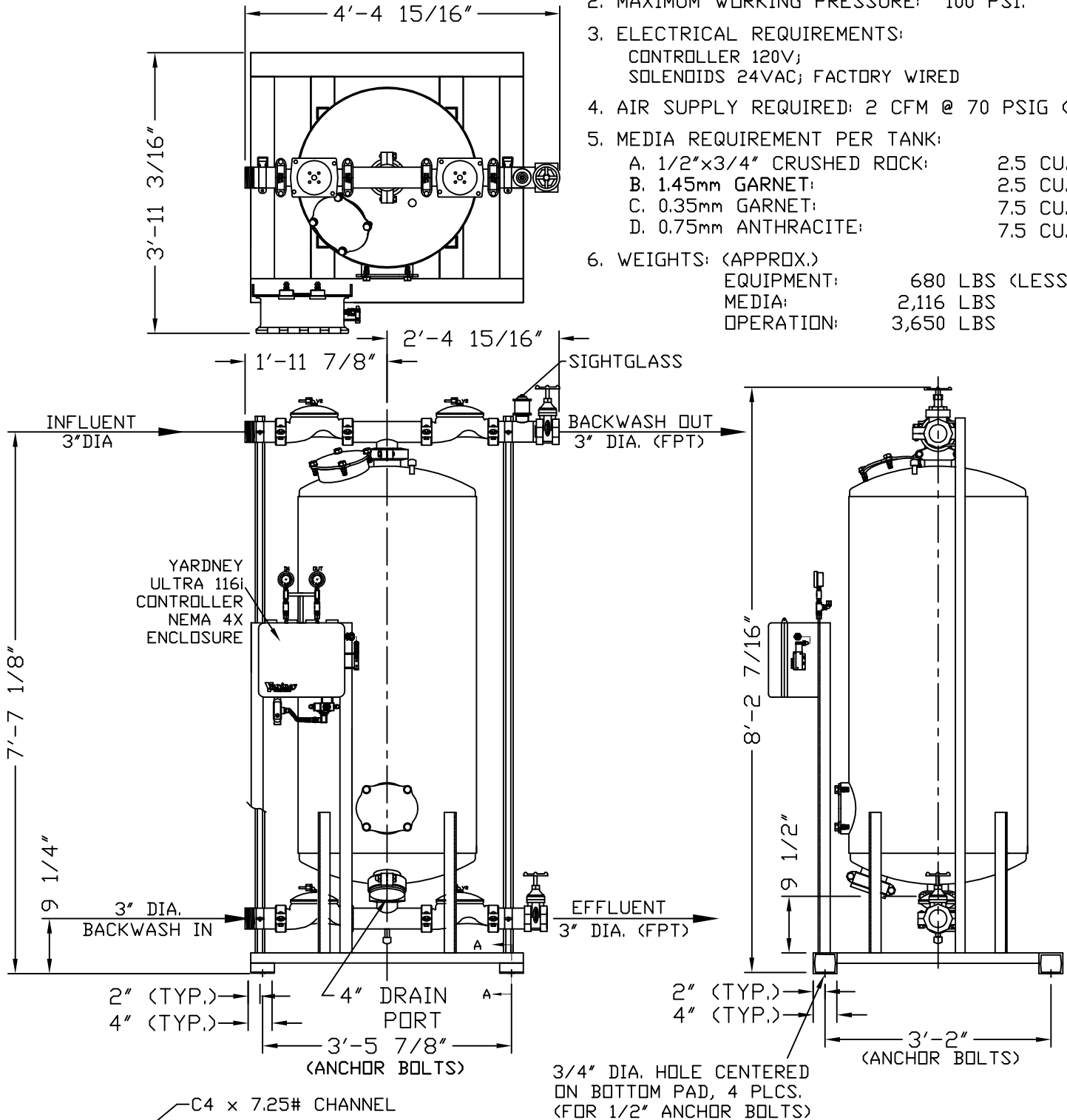
# MM 3060-1A

## NOTES:

1. FLOW RATE DESIGN: 25-74 GPM; MAX TO 98 GPM
2. MAXIMUM WORKING PRESSURE: 100 PSI.
3. ELECTRICAL REQUIREMENTS:  
CONTROLLER 120V;  
SOLENOIDS 24VAC; FACTORY WIRED
4. AIR SUPPLY REQUIRED: 2 CFM @ 70 PSIG (MIN.).
5. MEDIA REQUIREMENT PER TANK:
 

A. 1/2"x3/4" CRUSHED ROCK:	2.5 CU. FT. .
B. 1.45mm GARNET:	2.5 CU. FT. .
C. 0.35mm GARNET:	7.5 CU. FT. .
D. 0.75mm ANTHRACITE:	7.5 CU. FT. .
6. WEIGHTS: (APPROX.)
 

EQUIPMENT:	680 LBS (LESS MEDIA)
MEDIA:	2,116 LBS
OPERATION:	3,650 LBS



THIS DRAWING, INCLUDING THE INFORMATION IT CONTAINS, IS CONFIDENTIAL, PROPRIETARY, AND IS THE PROPERTY OF YARDNEY WATER MANAGEMENT, INC. IT IS SUBMITTED ONLY IN CONNECTION WITH THE TRANSACTION TO WHICH IT PERTAINS AND MUST NOT BE USED IN ANY OTHER MANNER DETRIMENTAL TO THE INTERESTS OF YARDNEY WATER MANAGEMENT. THE DRAWING IS NOT TO BE COPIED AND MUST BE RETURNED UPON REQUEST. COPYRIGHT YARDNEY WATER MANAGEMENT SYSTEMS, 1994.

NO.	REVISION	BY	DATE
F	ADDED 4" DRAIN PORT	DTG	11-09
E	ADDED SIGHTGLASS	DTC	10-07
D	AIR SUPPLY NOTE CHANGE	DTC	4-07
C	CORRECTED GPM FLOW RATES	DTC	10-05
B	STANDARDIZED NOTES	DTC	9-05
NO.	REVISION	BY	DATE

CUSTOMER	Yardney WATER MANAGEMENT SYSTEMS RIVERSIDE, CALIFORNIA
USED ON	
DRAWN BY: JMW	MM 3060-1A FILTER SYSTEM
DATE: 6/26/02	
DRAWING NO: 9500306001	REV: F
LOCATION: \SYSTEM\MM\	SHEET 1 OF 1