

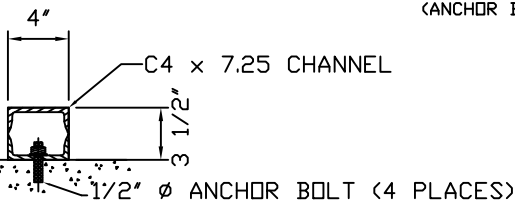
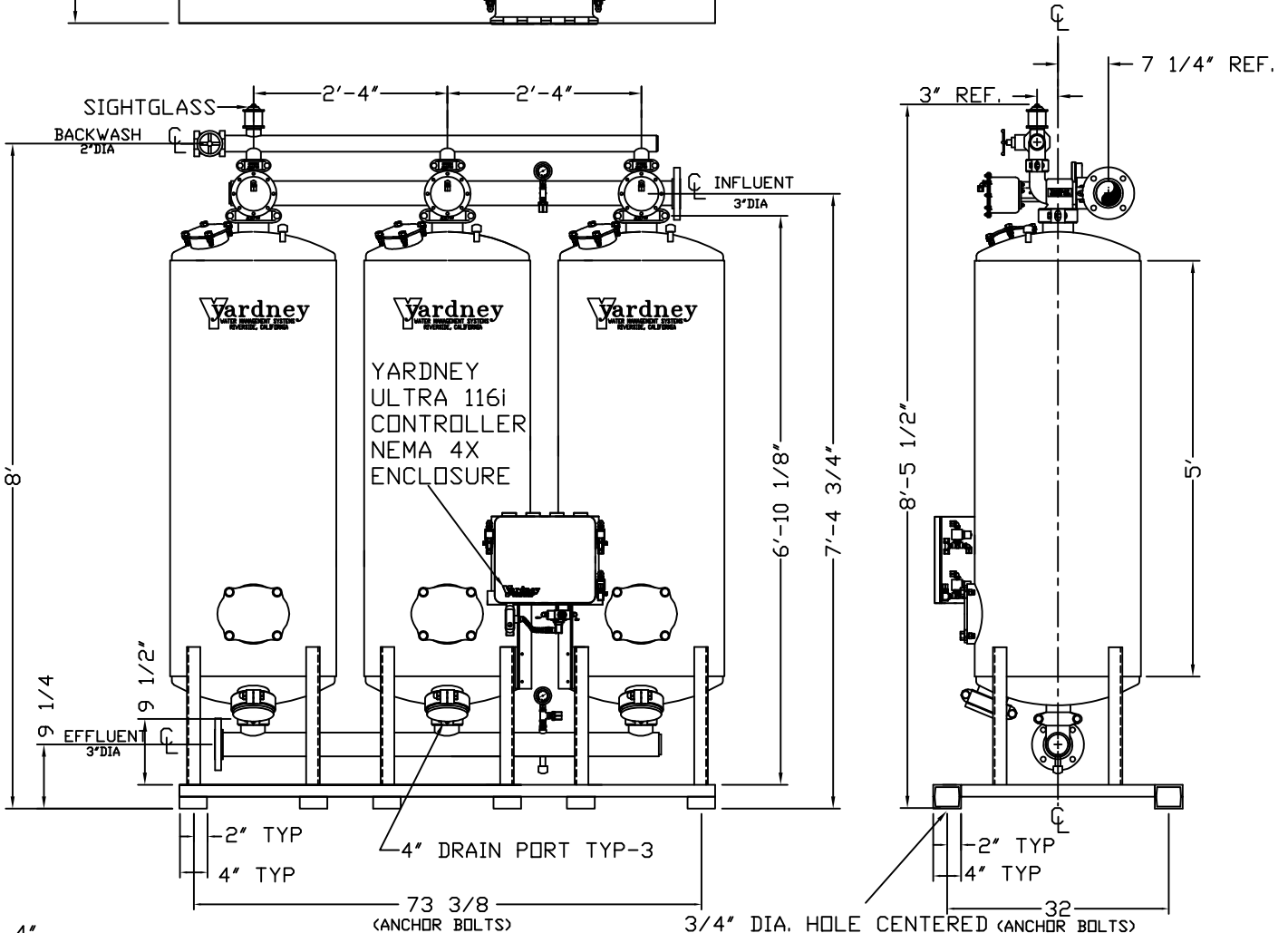
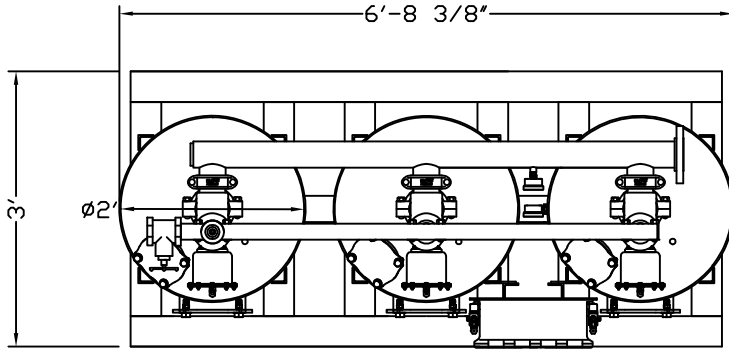
MM 2460-3A

NOTES:

1. FLOW RATE DESIGN: 48-142 GPM.
BACKWASH RATE: 15 GPM/FT².
2. MAXIMUM WORKING PRESSURE: 100 PSI.
3. ELECTRICAL REQUIREMENTS:
CONTROLLER 120V;
SOLENOIDS 24VAC; FACTORY WIRED
4. AIR SUPPLY REQUIRED: 2 CFM @ 70 PSIG (MIN.).
5. MEDIA REQUIREMENT PER TANK:

A. 1/2"x3/4" CRUSHED ROCK:	15 CU. FT. .
B. 1.45mm GARNET:	15 CU. FT. .
C. 0.35mm GARNET:	4.5 CU. FT. .
D. 0.75 ANTHRACITE:	4.5 CU. FT. .
6. WEIGHTS: (APPROX.)

EQUIPMENT:	1,330 LBS (LESS MEDIA)
MEDIA:	3,578 LBS
OPERATION:	6,750 LBS



3/4" DIA. HOLE CENTERED (ANCHOR BOLTS)
ON BOTTOM PAD, 4 PLCS.
(FOR 1/2" ANCHOR BOLTS)

THIS DRAWING, INCLUDING THE INFORMATION IT CONTAINS, IS CONFIDENTIAL, PROPRIETARY, AND IS THE PROPERTY OF YARDNEY WATER MANAGEMENT, INC. IT IS SUBMITTED ONLY IN CONNECTION WITH THE TRANSACTION TO WHICH IT PERTAINS AND MUST NOT BE USED IN ANY OTHER MANNER DETRIMENTAL TO THE INTERESTS OF YARDNEY WATER MANAGEMENT. THE DRAWING IS NOT TO BE COPIED AND MUST BE RETURNED UPON REQUEST. COPYRIGHT YARDNEY WATER MANAGEMENT SYSTEMS, 1994.				Yardney WATER MANAGEMENT SYSTEMS RIVERSIDE, CALIFORNIA			
APPROVALS		DATE	MM 2460-3A FILTER SYSTEM 9500246003 SHEET 1 OF 1				
D	ADDED 4" DRAIN PORT	DTD 11-09 APP				DRAWN BY: K.A.T. L/10/95	
C	ADDED SIGHTGLASS & FIXED SKID	DTD 10-07 APP				CHECKED BY:	
B	CORRECTED GPM FLOW RATES	DTC 10-05 APP				APPROVED BY:	
A	STANDARDIZED NOTES	DTC 9-05 APP				ARCHITECTURAL	
SYN	REVISIONS	BY	DATE	APP	USED ON		