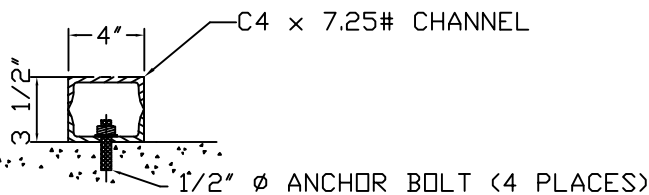
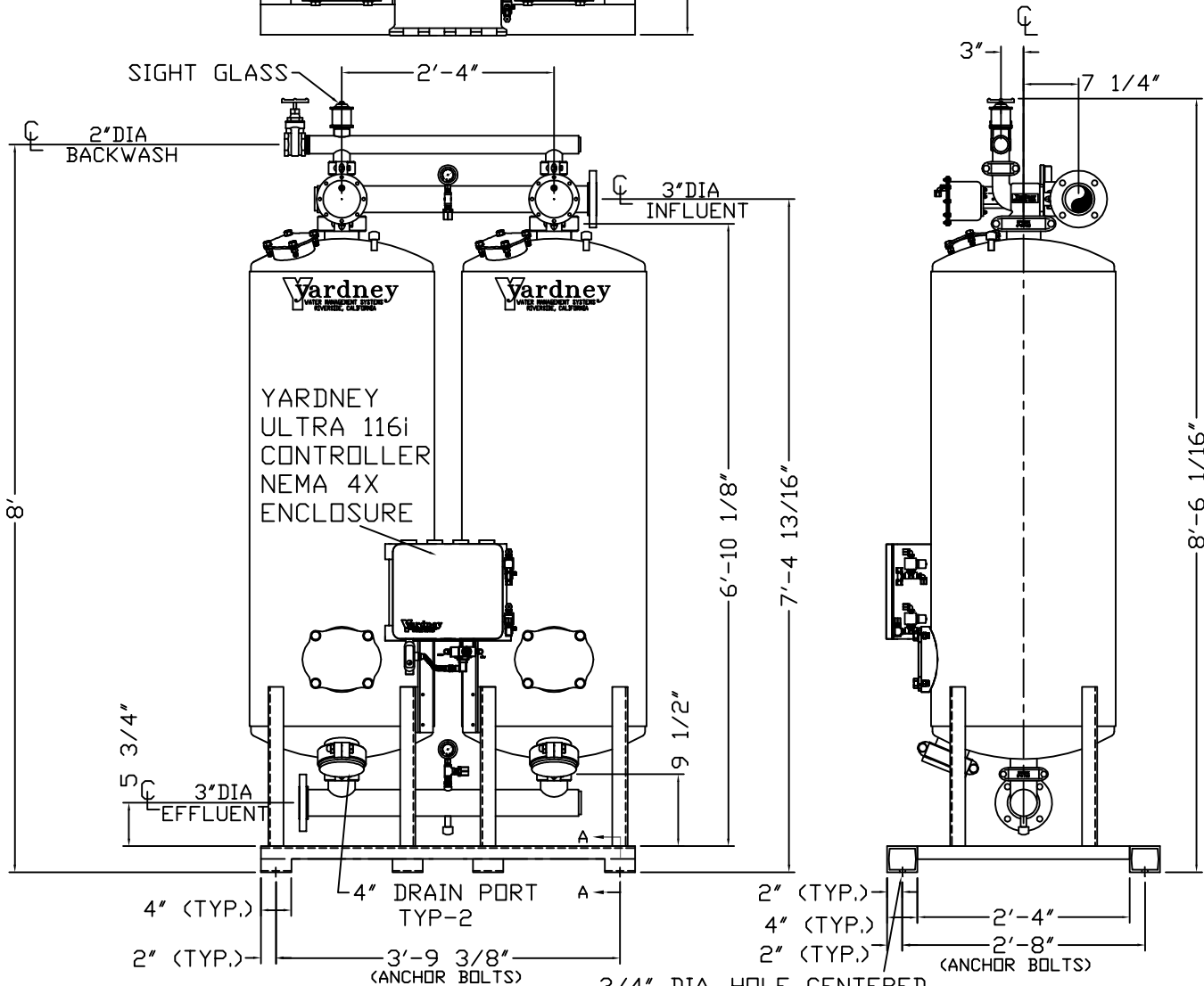
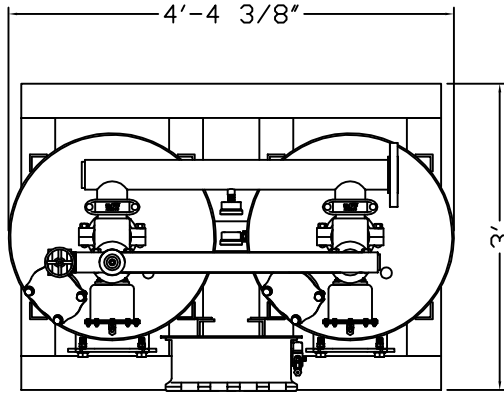


# MM 2460-2A

## NOTES:

1. FLOW RATE DESIGN: 32-95 GPM; MAX TO 126 GPM
2. MAXIMUM WORKING PRESSURE: 100 PSI.
3. ELECTRICAL REQUIREMENTS:  
CONTROLLER 120V;  
SOLENOIDS 24VAC; FACTORY WIRED
4. AIR SUPPLY REQUIRED: 2 CFM @ 70 PSIG (MIN.).
5. MEDIA REQUIREMENT PER TANK:  
A. 1/2"x3/4" CRUSHED ROCK: 1.5 CU. FT. .  
B. 1.45mm GARNET: 1.5 CU. FT. .  
C. 0.35mm GARNET: 4.5 CU. FT. .  
D. 0.75mm ANTHRACITE: 4.5 CU. FT. .
6. WEIGHTS: (APPROX.)  
EQUIPMENT: 875 LBS (LESS MEDIA)  
MEDIA: 2,468 LBS  
OPERATION: 4,500 LBS



3/4" DIA. HOLE CENTERED  
ON BOTTOM PAD, 4 PLCS.  
(FOR 1/2" ANCHOR BOLTS)

<small>THIS DRAWING, INCLUDING THE INFORMATION IT CONTAINS, IS CONFIDENTIAL, PROPRIETARY, AND IS THE PROPERTY OF YARNEY WATER MANAGEMENT, INC. IT IS SUBMITTED ONLY IN CONNECTION WITH THE TRANSACTION TO WHICH IT PERTAINS AND MUST NOT BE USED IN ANY OTHER MANNER DETRIMENTAL TO THE INTERESTS OF YARNEY WATER MANAGEMENT. THE DRAWING IS NOT TO BE COPIED AND MUST BE RETURNED UPON REQUEST. COPYRIGHT YARNEY WATER MANAGEMENT SYSTEMS, 1994</small>					
APPROVALS DATE DRAWN BY: KAT/1/1/94		MM 2460-2A FILTER SYSTEM			
C	ADDED 4" DRAIN PORT	DTC	11-09	APP	CHECKED BY:
B	CORRECTED GPM FLOW RATES	DTC	10-05	APP	APPROVED BY:
A	STANDARDIZED NOTES	DTC	9-05	APP	ARCHITECTURAL SCALE: NONE
SYN	REVISIONS	BY	DATE	APP	SCALE: NONE
				SIZE: D	DRAWING NO: 9500246002
				REV: C	SYSTEMS\MM
				SHEET 1 OF 1	