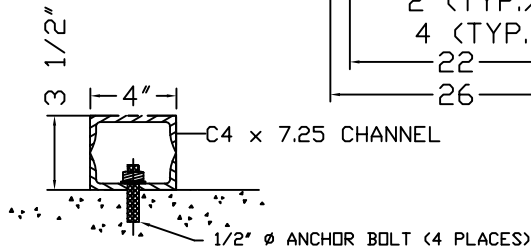
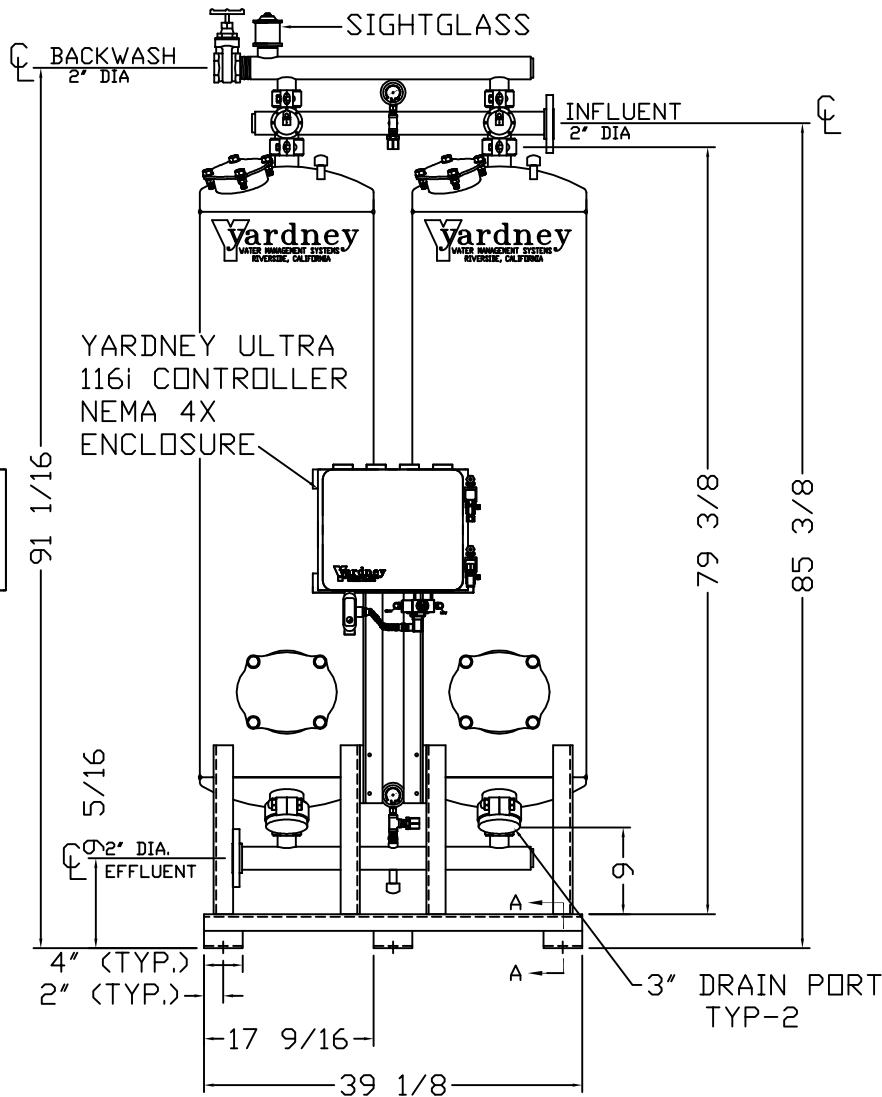
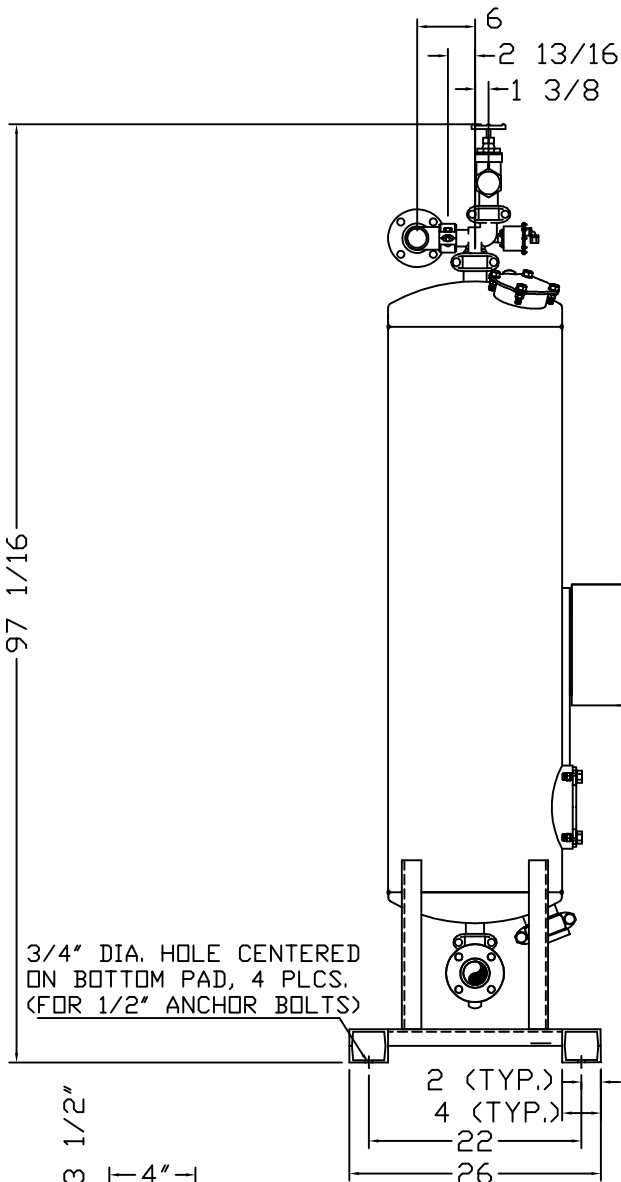
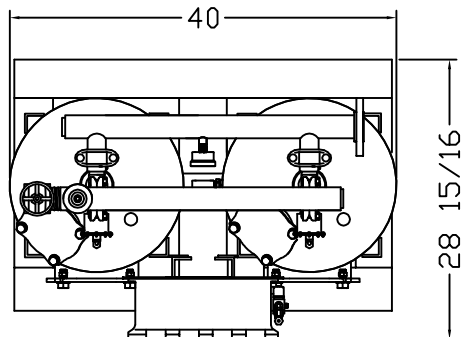


MM 1860-2A

NOTES:

1. FLOW RATE DESIGN: 18-53 GPM; MAX TO 70 GPM
2. MAXIMUM WORKING PRESSURE: 100 PSI.
3. ELECTRICAL REQUIREMENTS:
CONTROLLER 120V;
SOLENOIDS 24VAC; FACTORY WIRED
4. AIR SUPPLY REQUIRED: 2 CFM @ 70 PSIG (MIN).
5. MEDIA REQUIREMENT PER TANK:
A. 1/2"x3/4" CRUSHED ROCK: 1.0 CU. FT. .
B. 1.45mm GARNET: 1.0 CU. FT. .
C. 0.35mm GARNET: 2.5 CU. FT. .
D. 0.75mm ANTHRACITE: 2.5 CU. FT. .
6. WEIGHTS: (APPROX.)
EQUIPMENT: 715 LBS (LESS MEDIA)
MEDIA: 1,382 LBS
OPERATION: 2,761 LBS



SECTION A-A

THIS DRAWING, INCLUDING THE INFORMATION IT CONTAINS, IS CONFIDENTIAL, PROPRIETARY, AND IS THE PROPERTY OF YARDNEY WATER MANAGEMENT, INC. IT IS SUBMITTED ONLY IN CONNECTION WITH THE TRANSACTION TO WHICH IT PERTAINS AND MUST NOT BE USED IN ANY OTHER MANNER DETRIMENTAL TO THE INTERESTS OF YARDNEY WATER MANAGEMENT. THE DRAWING IS NOT TO BE COPIED AND MUST BE RETURNED UPON REQUEST COPYRIGHT YARDNEY WATER MANAGEMENT SYSTEMS, 1994.



E	ADDED 3" DRAIN PORT	DTG 10-09 APP	APPROVALS DATE	MM 1860-2A FILTER SYSTEM
D	ADDED SIGHTGLASS & FLOW WAS 35-53	DTG 08-07 APP	DRAWN BY: K.A.T. 4/26/96	
C	FIXED CENTERLINE DIMENSIONS	DTC 05-06 APP	CHECKED BY:	
B	CORRECTED GPM FLOW RATES	DTC 10-05 APP	APPROVED BY:	
A	STANDARDIZED NOTES	DTC 09-05 APP	ARCHITECTURAL NONE	
SYN	REVISIONS	BY DATE APP	SCALE:	SIZE D DRAWING NO 9500186022 REV E RWS 888 SYSTEMS\MM18 SHEET 1 OF 1