

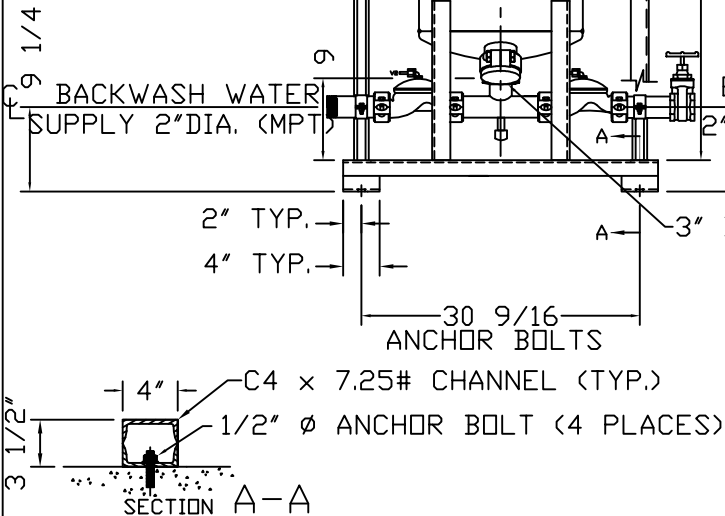
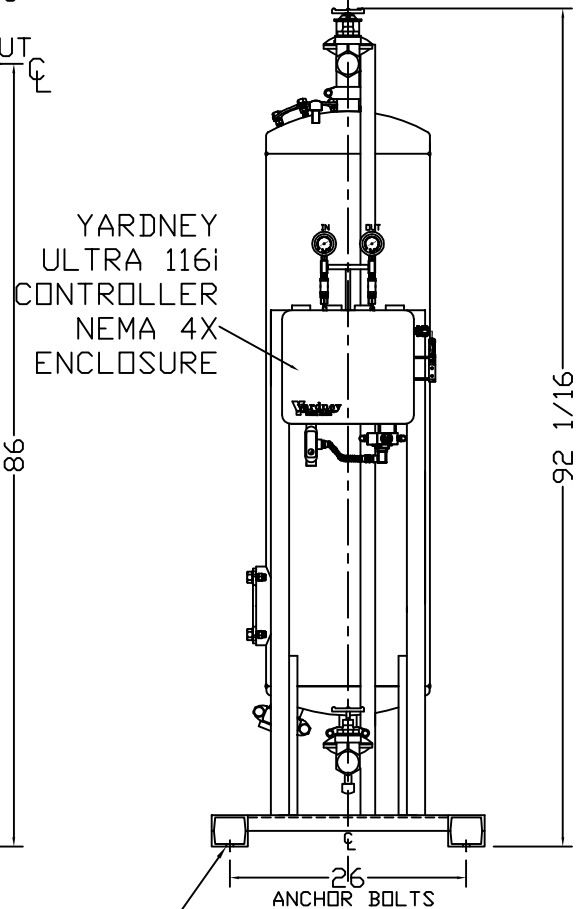
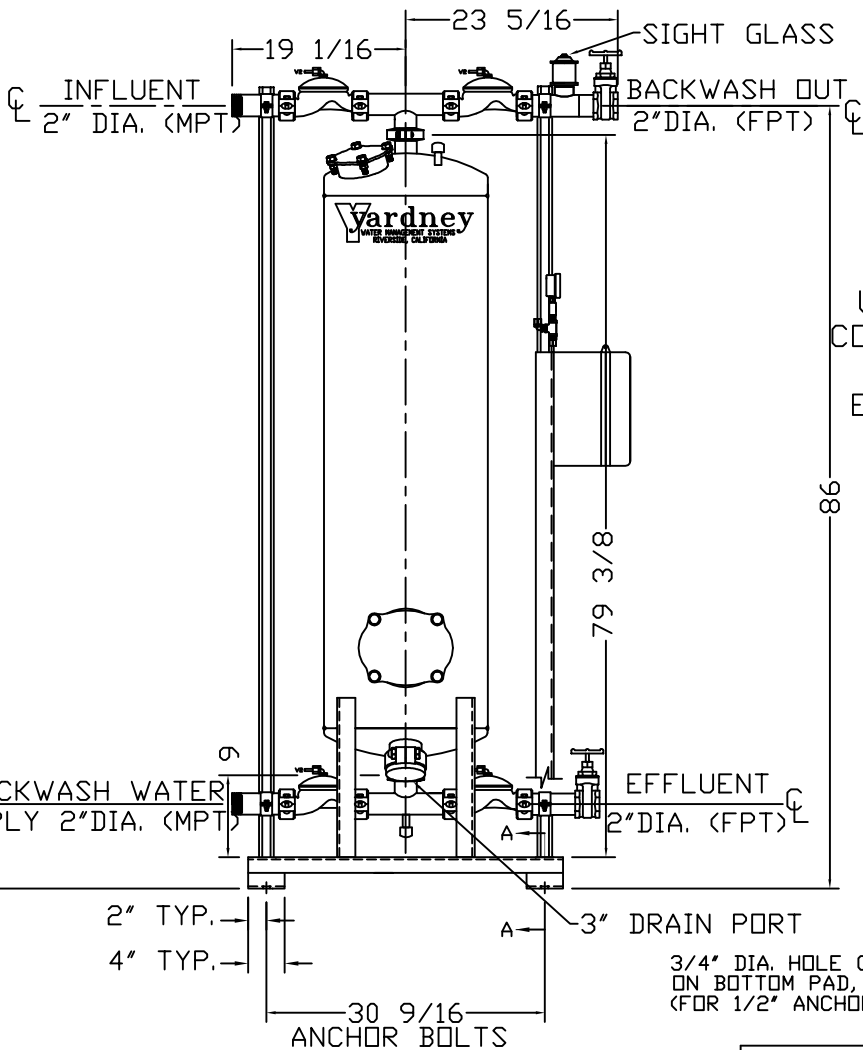
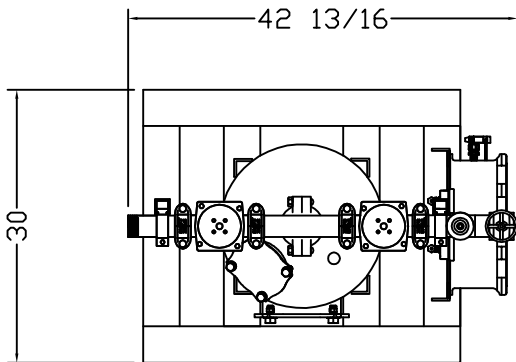
MM 1860-1A

NOTES:

1. FLOW RATE DESIGN: 9-26 GPM, MAX. TO 35 GPM.
2. MAXIMUM WORKING PRESSURE: 100 PSI.
3. ELECTRICAL:
CONTROLLER 120V.
4. AIR SUPPLY REQUIRED: 2 CFM @ 70 PSIG (MIN.)
5. MEDIA REQUIREMENT PER TANK:

A. 1/2" x 3/4" CRUSHED ROCK:	1.0 CU. FT. .
B. 1.45 mm GARNET:	1.0 CU. FT. .
C. 0.35 mm GARNET:	2.5 CU. FT. .
D. 0.75 mm ANTHRACITE:	2.5 CU. FT. .
6. WEIGHTS: (APPROX.)

SHIPPING:	375 LBS (LESS MEDIA)
MEDIA:	810 LBS
OPERATION:	1,650 LBS



<small>THIS DRAWING, INCLUDING THE INFORMATION IT CONTAINS, IS CONFIDENTIAL, PROPRIETARY, AND IS THE PROPERTY OF YARDNEY WATER MANAGEMENT, INC. IT IS SUBMITTED ONLY IN CONNECTION WITH THE TRANSACTION TO WHICH IT PERTAINS AND MUST NOT BE USED IN ANY OTHER MANNER DETRIMENTAL TO THE INTERESTS OF YARDNEY WATER MANAGEMENT. THE DRAWING IS NOT TO BE COPIED AND MUST BE RETURNED UPON REQUEST. COPYRIGHT YARDNEY WATER MANAGEMENT SYSTEMS, 1993.</small>					
APPROVALS		DATE	MM 1860-1A FILTER SYSTEM		
DRAWN BY: JTW/B/S/92					
CHECKED BY:			SIZE	DRAWING NO.	REV.
APPROVED BY:			-	9500186000	-
ARCHITECTURAL SCALE			SCALE:	SYG 800	SYSTEM/MM
SYM	REVISIONS	BY	DATE	APP	SHEET 1 OF 1