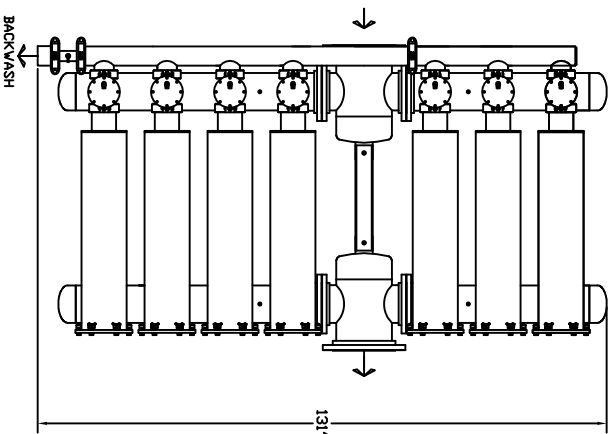


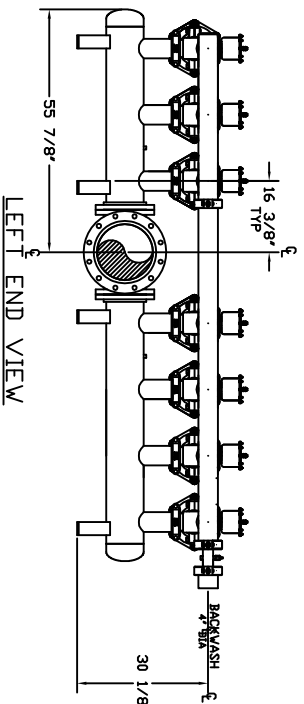
GOLF/TURF MAXI-FLUSH 10-7A CENTERFEED

NOTES:

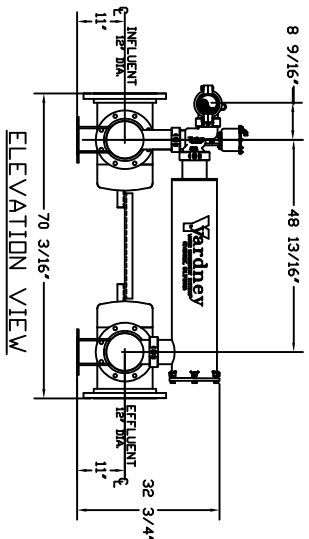
1. DESIGN FLOW RATE: 3500 GPM (MAX.)
2. OPERATING PRESSURE: 150 PSI (MAX.)
3. CARTRIDGE:
42" MIN. CLEARANCE REQUIRED FOR
CARTRIDGE REPLACEMENT.



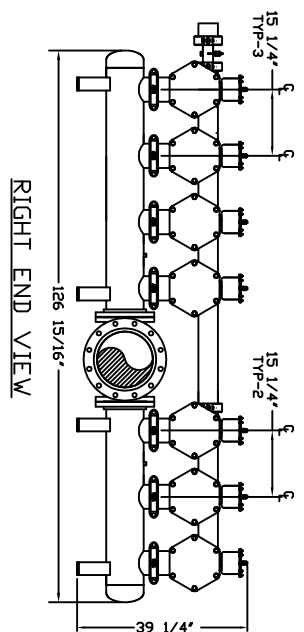
PLAN VIEW



LEFT END VIEW



ELEVATION VIEW



RIGHT END VIEW

THIS DRAWING, INCLUDING THE INFORMATION IT CONTAINS, IS THE PROPERTY OF YARDNEY WATER MANAGEMENT, INC. IT IS LOANED TO YOU BY YARDNEY WATER MANAGEMENT, INC. IN CONNECTION WITH THE PROJECT AND IS NOT TO BE REPRODUCED OR TRANSMITTED IN ANY FORM OR BY ANY MEANS, ELECTRONIC OR MECHANICAL, INCLUDING PHOTOCOPYING, RECORDING, OR BY ANY INFORMATION STORAGE AND RETRIEVAL SYSTEM, WITHOUT THE WRITTEN PERMISSION OF YARDNEY WATER MANAGEMENT, INC. THE DRAWING IS NOT TO BE USED FOR ANY OTHER PROJECT OR FOR ANY OTHER PURPOSE WITHOUT THE WRITTEN PERMISSION OF YARDNEY WATER MANAGEMENT, INC.		Yardney WATER MANAGEMENT, INC.	
DATE: 1-19-2001		MF S10-7A SCREENFILTER	
DRAWN BY: JMW		PROJECT NO: 9080110007	
CHECKED BY: JMW		LOCATION: SYSTEM MF'S CENTERFEED	
DATE: 10-12-04		REV: B	
BY: JWC		SHEET 1 OF 1	
REVISION			
A CARTRIDGE 40 TO 42 PER CART. IN SEAL			
B ADDED 1/2" WELD TABS			
NO. 1			