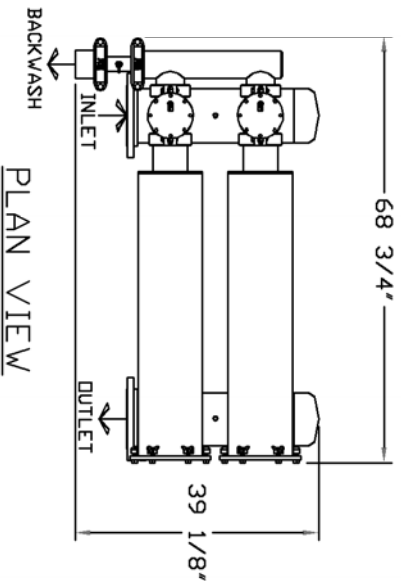


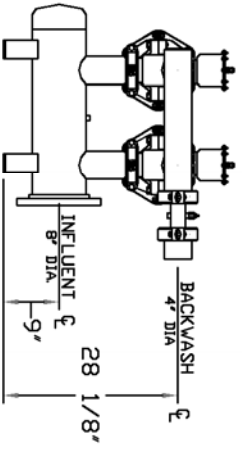
# GOLF/TURF MAXI-FLUSH 10-2A

## NOTES:

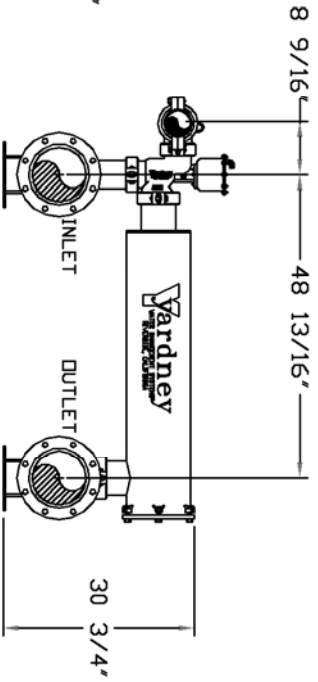
1. DESIGN FLOW RATE: 1000 GPM (MAX.)
2. OPERATING PRESSURE: 150 PSI (MAX.)
3. CARTRIDGE:  
42" MIN. CLEARANCE REQUIRED FOR  
CARTRIDGE REPLACEMENT.



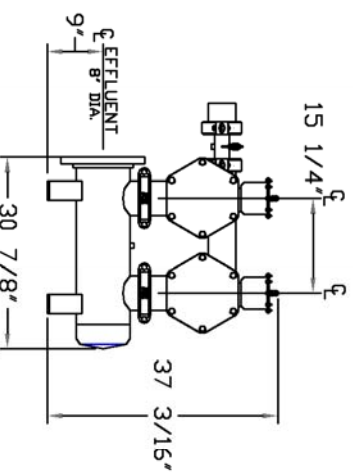
PLAN VIEW



LEFT END VIEW



ELEVATION VIEW



RIGHT END VIEW

THIS DRAWING, INCLUDING THE INFORMATION IT CONTAINS, IS CON-  
SIDERED THE PROPERTY OF YARDNEY WATER MANAGEMENT SYSTEMS, INC. IT IS SUBMITTED ONLY IN CONNECTION  
WITH THE TRANSACTION TO WHICH IT PERTAINS AND MUST NOT BE  
USED IN ANY OTHER MANNER DETRIMENTAL TO THE INTERESTS OF  
YARDNEY WATER MANAGEMENT. THE DRAWING IS NOT TO BE COPIED  
AND MUST BE RETURNED UPON REQUEST. COPYRIGHT YARDNEY WATER  
MANAGEMENT SYSTEMS, 1994.



YARDNEY WATER MANAGEMENT SYSTEMS  
KANSAS CITY, MISSOURI, U.S.A.

APPROVALS		DATE	MAXI-FLUSH SCREEN FILTER	
DESIGNED BY	JUB	4/18/94	MFS 10-2A	
APPROVED BY			9080110002	
INSTRUCTIONS			REV. B	
SCALE			SHEET 1 OF 1	
B ADDED 1/2" WELD TABS		DTD	8-12	APP
A CARTRIDGE 40 TO 42 PER CART. IN SEAL		DTC	1-04	APP
NO. REVISIONS		BY	DATE	APP