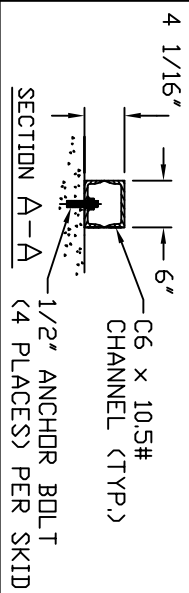
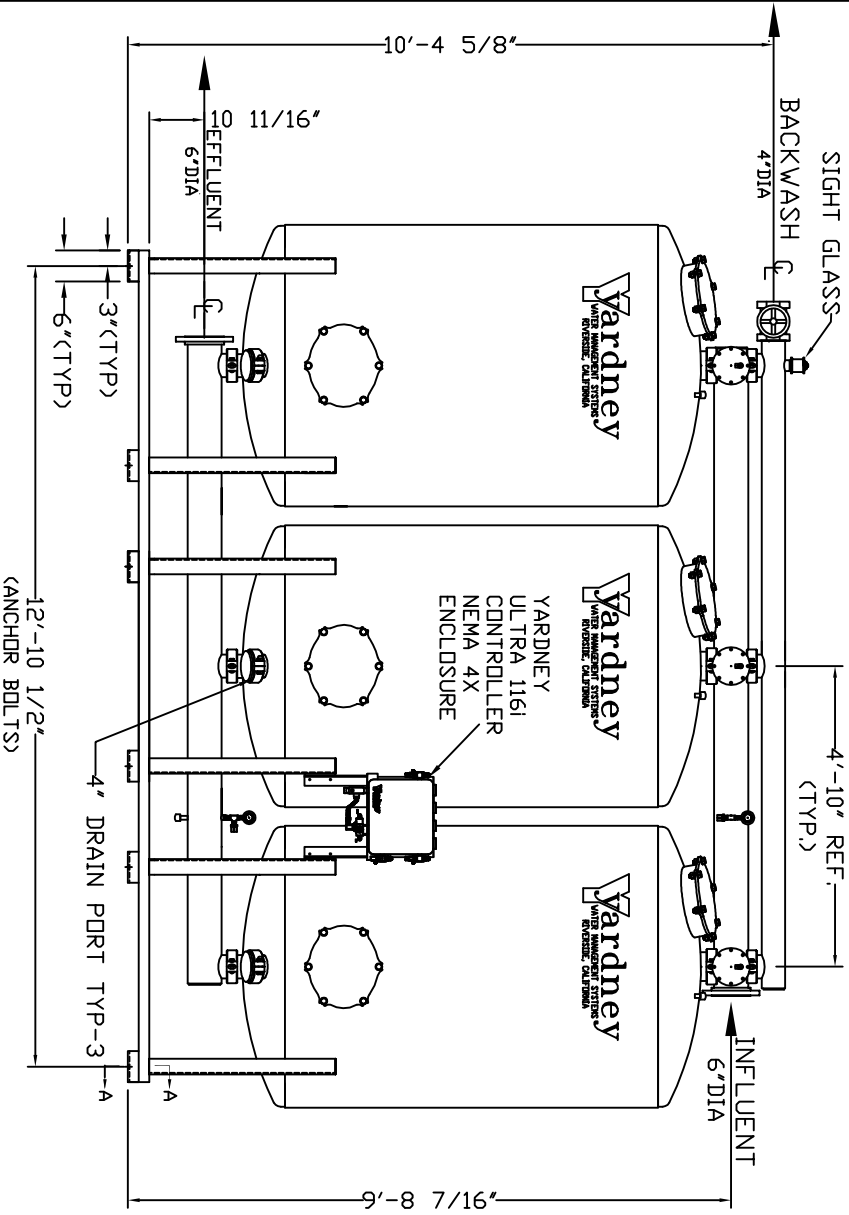
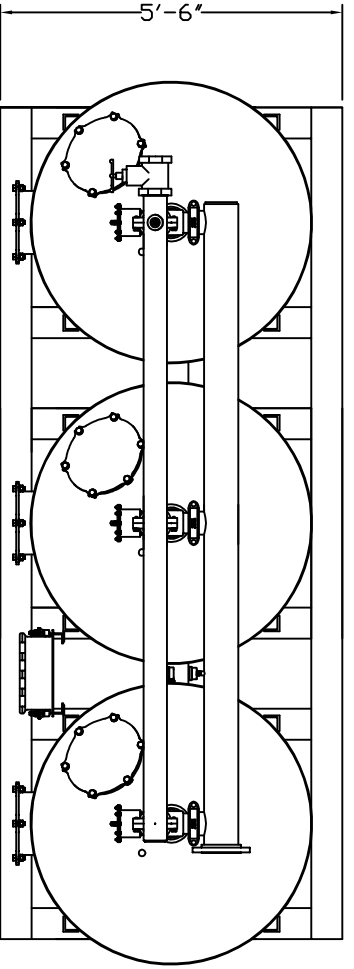
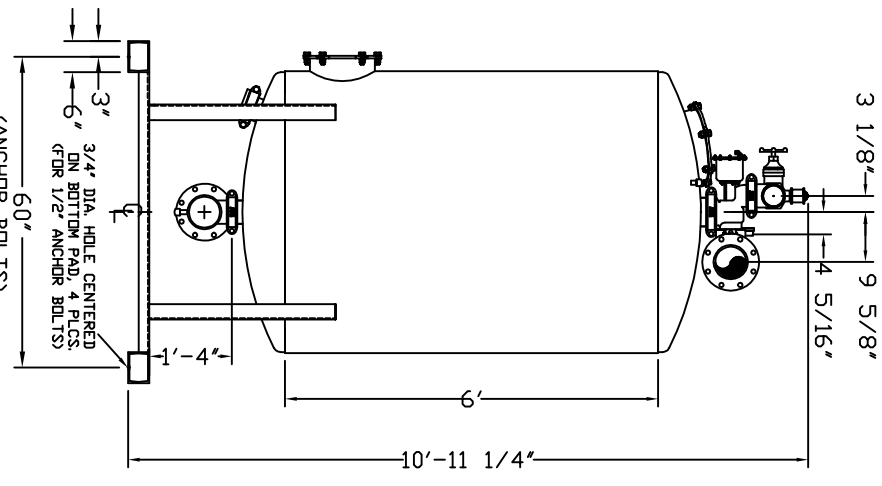


# GAC 5472-3A



- NOTES:
1. FLOW RATE DESIGN: 240-480 GPM, MAX TD 900 GPM, BACKWASH RATE: 10 GPM/FT<sup>2</sup>.
  2. MAXIMUM WORKING PRESSURE: 80 PSI.
  3. ELECTRICAL REQUIREMENTS:  
CONTROLLER 120V,  
SOLENOIDS 24VAC, FACTORY WIRED
  4. AIR SUPPLY REQUIRED: 2 CFM @ 70 PSIG (MIN).
  5. MEDIA REQUIREMENT PER TANK:  
A. 1/2"x3/4" CRUSHED ROCK: 9.5 CU. FT.  
B. GRANULAR ACTIVATED CARBON: 635 CU. FT.
  6. WEIGHTS: (APPROX.)  
EQUIPMENT: 4,400 LBS (LESS MEDIA)  
MEDIA: 8,375 LBS  
OPERATION: 25,150 LBS



<p>THIS DRAWING, INCLUDING THE INFORMATION IT CONTAINS, IS CONFIDENTIAL AND NOT BE LOANED, REPRODUCED, COPIED, OR IN ANY MANNER DISCLOSED TO ANY OTHER PARTY WITHOUT THE WRITTEN CONSENT OF YARDNEY WATER MANAGEMENT SYSTEMS, INC. IT IS SUBMITTED ONLY IN CONNECTION WITH THE TRANSACTIONS TO WHICH IT PERTAINS AND MUST NOT BE USED IN ANY OTHER MANNER DETRIMENTAL TO THE INTERESTS OF YARDNEY WATER MANAGEMENT SYSTEMS, INC. ANY REPRODUCTION OR TRANSMISSION OF THIS DRAWING WITHOUT THE WRITTEN CONSENT OF YARDNEY WATER MANAGEMENT SYSTEMS, INC. WILL BE STRICTLY PROHIBITED.</p>								
D	ADDED 4" DRAIN PORT	DATE	11-09	APP	BY	JDB	SCALE	AS SHOWN
C	FIXED TANKS, VALVES & SKID TO STANDARDIZED	DATE	10-05	APP	BY	JDB	SCALE	AS SHOWN
B	CONNECTED GPM FLOW RATES	DATE	9-07	APP	BY	JDB	SCALE	AS SHOWN
A	STANDARDIZED NOTES	DATE	9-05	APP	BY	JDB	SCALE	AS SHOWN
STM	REVISIONS	DATE		APP	BY		SCALE	AS SHOWN

<p>APPROVALS DATE</p>	
DESIGNED BY	JDB
CHECKED BY	JDB
DATE	11-09
<p>Yardney WATER MANAGEMENT SYSTEMS, INC. 120 UNIT SCALE DWG.</p>	
<p>GAC 5472-3A</p>	
<p>FILTER SYSTEM</p>	
SIZE	D
DRAWING NO.	9500547203
REV.	D
DATE	12/01
BY	STM
SCALE	1/2" = 1'-0"