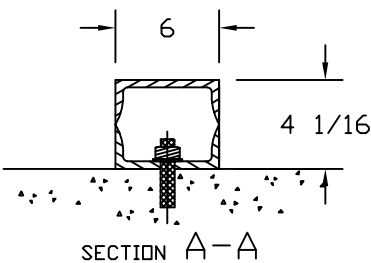
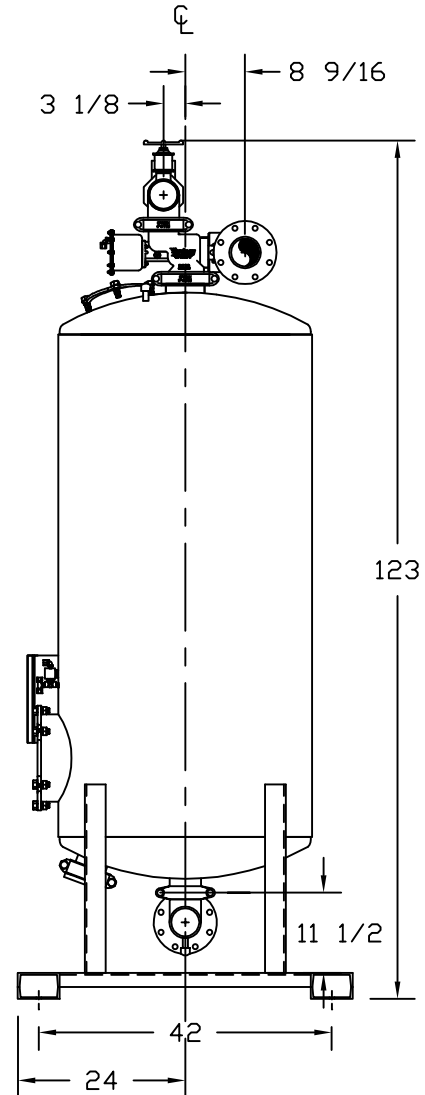
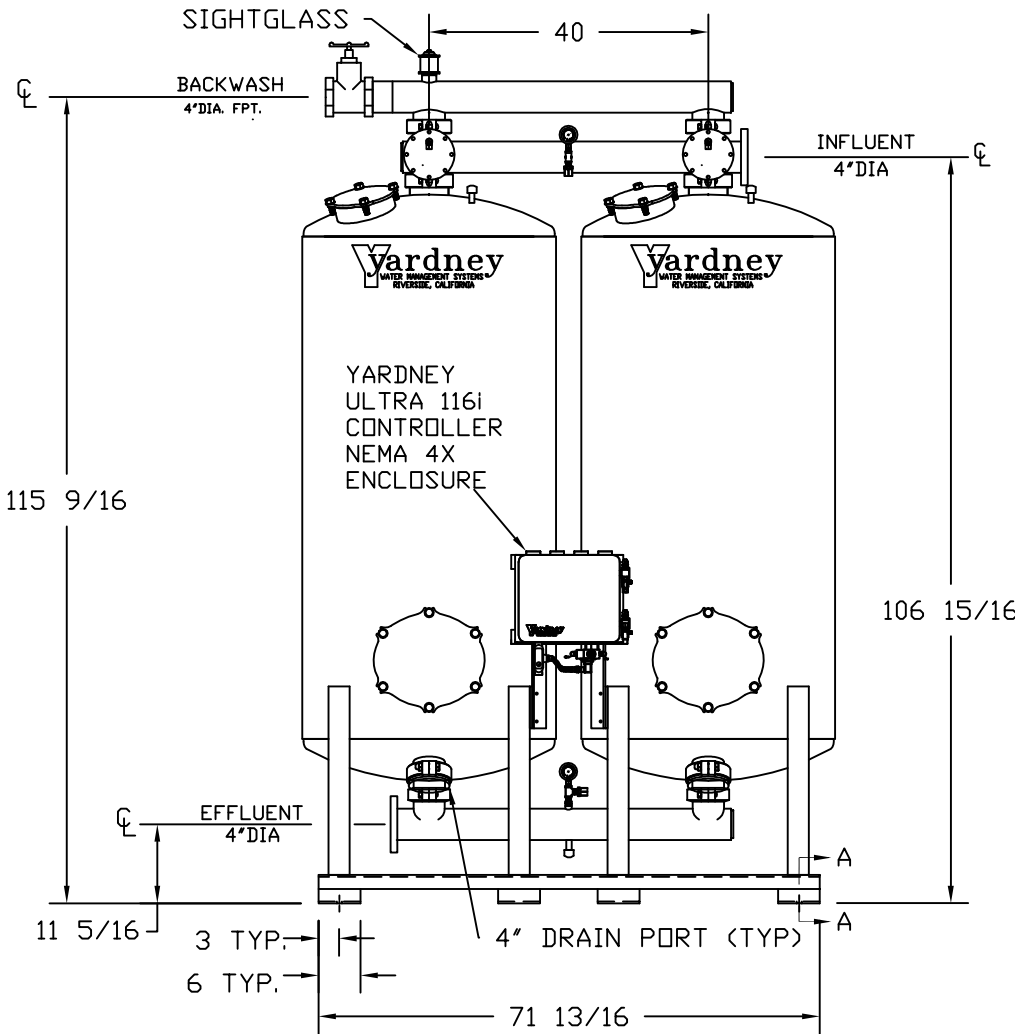
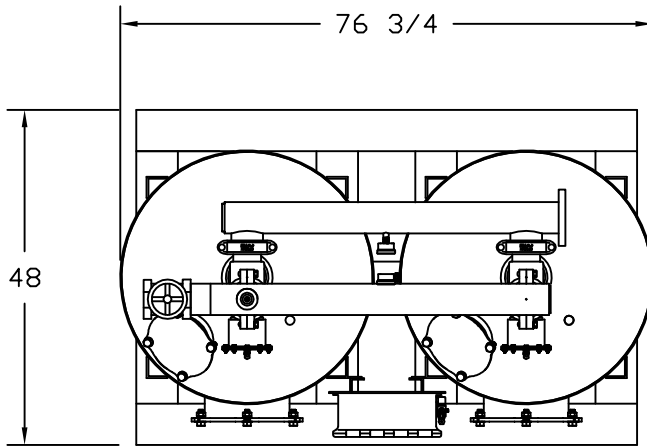


# GAC 3672-2A

## NOTES:

1. FLOW RATE DESIGN: 70-140 GPM; MAX TO 270 GPM.
2. MAXIMUM WORKING PRESSURE: 100 PSI.
3. ELECTRICAL REQUIREMENTS:  
CONTROLLER 120V;  
SOLENOIDS 24VAC; FACTORY WIRED
4. AIR SUPPLY REQUIRED: 2 CFM @ 70 PSIG (MIN.).
5. MEDIA REQUIREMENT PER TANK:  
A. 1/2"x3/4" CRUSHED ROCK: 4.0 CU. FT. .  
B. GRANULAR ACTIVATED CARBON: 28.0 CU. FT. .
6. WEIGHTS: (APPROX.)  
EQUIPMENT: 1,630 LBS (LESS MEDIA)  
MEDIA: 2,449 LBS  
OPERATION: 7,400 LBS



THIS DRAWING, INCLUDING THE INFORMATION IT CONTAINS, IS CONFIDENTIAL, PROPRIETARY AND IS THE PROPERTY OF YARDNEY WATER MANAGEMENT, INC. IT IS SUBMITTED ONLY IN CONNECTION WITH THE TRANSACTION TO WHICH IT PERTAINS AND MUST NOT BE USED IN ANY OTHER MANNER DETRIMENTAL TO THE INTERESTS OF YARDNEY WATER MANAGEMENT. THE DRAWING IS NOT TO BE COPIED AND NOT BE ALTERED, REPRODUCED, COPIED, FACSIMILE, TRANSMITTED, OR OTHERWISE USED IN ANY MANNER WITHOUT THE WRITTEN CONSENT OF YARDNEY WATER MANAGEMENT, INC.

DO NOT SCALE DWG.  
**Yardney**  
WATER MANAGEMENT SYSTEMS  
RIVERSIDE, CALIFORNIA

SYMBOL	REVISIONS	DATE	APP	BY	DATE	APP	BY	SCALE	DWG NO	SYSTEMS\GAC	SHEET	OF
E	ADDED 4" DRAIN PORT	11-09	APP									
D	ADDED SIGHTGLASS	10-07	APP									
C	CORRECTED SIDE MANWAY	9-07	APP									
B	CORRECTED GPM FLOW RATES	10-05	APP									
A	STANDARDIZED NOTES	9-05	APP									
SYN												

SIZE	DRAWING NO.	REV
D	9500367202	E