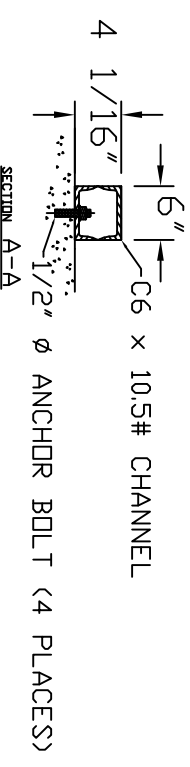
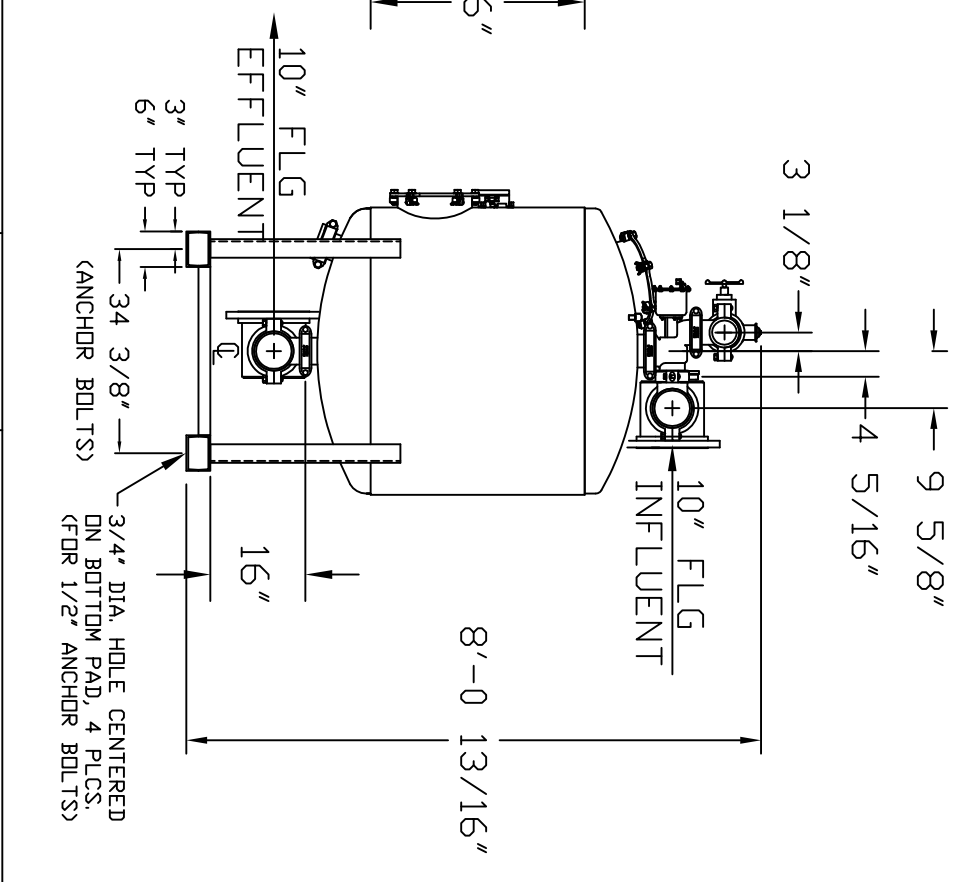
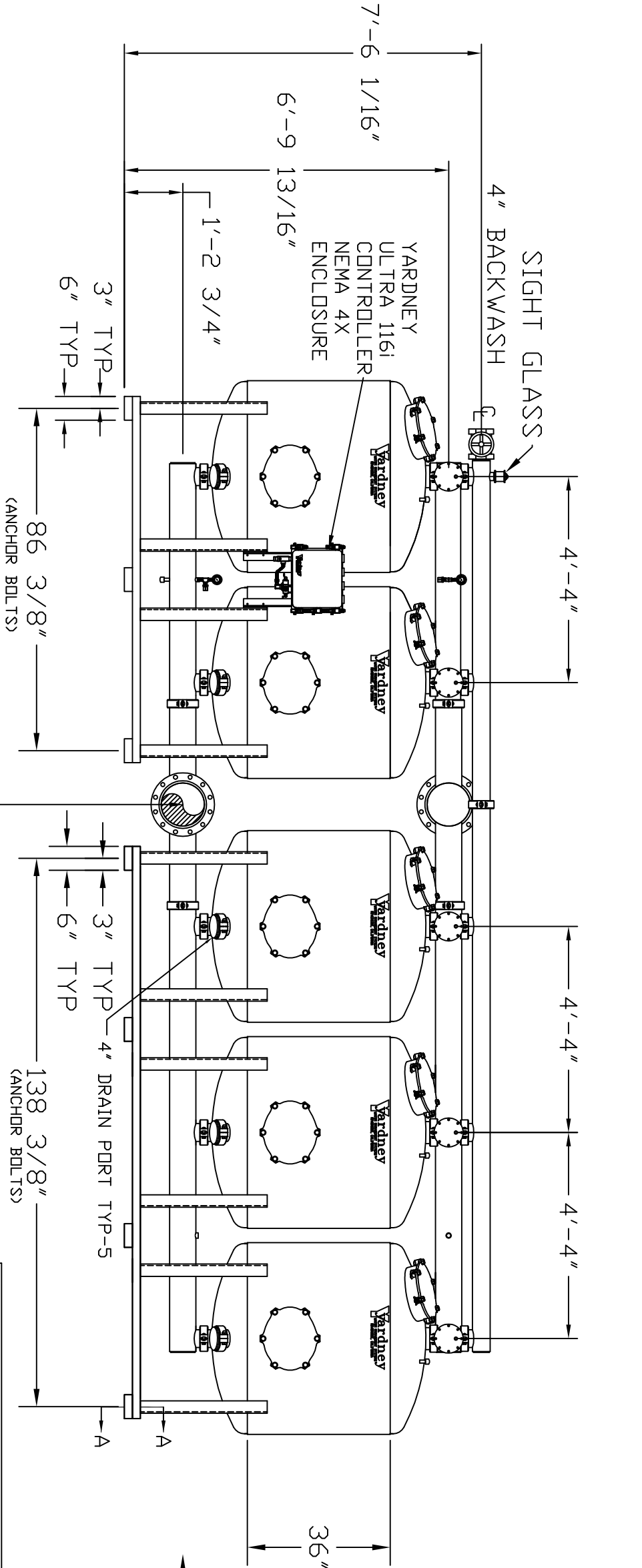


1. FLOW RATE DESIGN: 630-945 GPM.
BACKWASH RATE: 15 GPM/FT².
2. MAXIMUM WORKING PRESSURE: 80 PSI.
3. ELECTRICAL REQUIREMENTS:
CONTROLLER 120V;
SOLENOIDS 24VAC, FACTORY WIRED
4. AIR SUPPLY REQUIRED: 2 CFM @ 70 PSIG (MIN.).
5. MEDIA REQUIREMENT PER TANK:
A. 1/2"x3/4" CRUSHED ROCK: 7.0 CU. FT.
B. 0.47mm CRUSHED SILICA SAND: 21.0 CU. FT.
6. WEIGHTS: (APPROX.)
EQUIPMENT: 5,930 LBS (LESS MEDIA)
MEDIA: 24,300 LBS
OPERATION: 36,500 LBS



THIS DRAWING, INCLUDING THE INFORMATION IT CONTAINS, IS CONFIDENTIAL, PROPRIETARY, AND IS THE PROPERTY OF YARDNEY WATER MANAGEMENT, INC. IT IS SUBMITTED ONLY IN CONNECTION WITH THE TRANSACTION TO WHICH IT PERTAINS AND MUST NOT BE USED IN ANY OTHER MANNER DETRIMENTAL TO THE INTERESTS OF YARDNEY WATER MANAGEMENT. THE DRAWING IS NOT TO BE COPIED AND MUST BE RETURNED UPON REQUEST. COPYRIGHT YARDNEY WATER MANAGEMENT SYSTEMS, 1994.

NO.	REVISION	BY	DATE

CUSTOMER:	IL 4836-5A CF
USED ON:	FILTER SYSTEM
DRAWN BY:	DTD
DATE:	8-6-2012
DRAWING NO.:	9500483605
LOCATION:	SYSTEMS\IL

Yardney WATER MANAGEMENT SYSTEMS CALIFORNIA

SHEET 1 OF 1